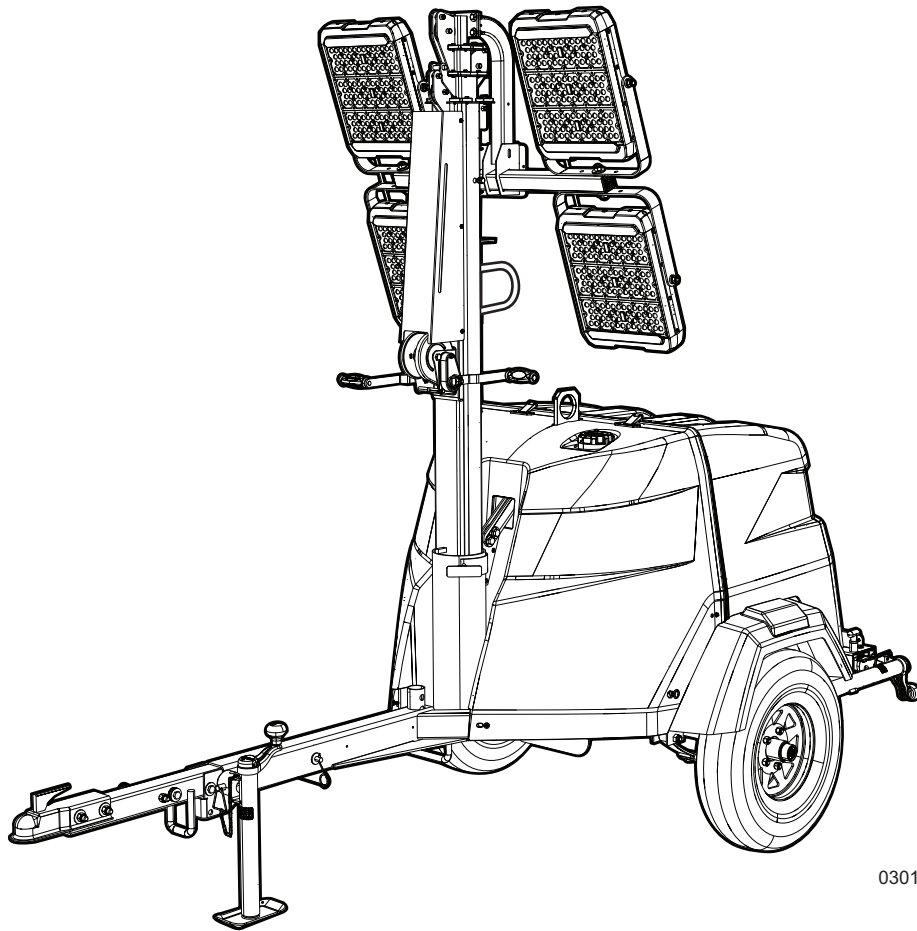


# ***MLTS-K***

## ***Light Tower Parts Manual***



03019

MODEL NUMBER: \_\_\_\_\_

SERIAL NUMBER: \_\_\_\_\_

DATE PURCHASED: \_\_\_\_\_

***SAVE THIS MANUAL FOR FUTURE REFERENCE***

 **WARNING**

**CANCER AND REPRODUCTIVE HARM**

[www.P65Warnings.ca.gov](http://www.P65Warnings.ca.gov)

(000393a)

 **WARNING**

Breathing diesel engine exhaust exposes you to chemicals known to the State of California to cause cancer and birth defects or other reproductive harm.

- Always start and operate the engine in a well-ventilated area.
- If in an enclosed area, vent the exhaust to the outside.
- Do not modify or tamper with the exhaust system.
- Do not idle the engine except as necessary.

For more information go to

[www.P65Warnings.ca.gov/diesel](http://www.P65Warnings.ca.gov/diesel).

(000394)

# Introduction

This parts manual was prepared based on the information available at the time of publication and is subject to change without notice. Generac Mobile Products reserves the right to change parts at any time. To check whether a revised parts manual is available, contact Generac Mobile Products.

DO NOT MODIFY or use this equipment for any application other than which it was designed for. To keep your equipment fully operational, it is suggested you maintain a stock of commonly used maintenance or service parts. A recommended spare parts list can be found in the back of this manual. To order service parts, please go to [www.generacmobileproducts.com](http://www.generacmobileproducts.com) or call Generac Mobile Products.



## **WARNING**

Consult Manual. Read and understand manual completely before using product. Failure to completely understand manual and product could result in death or serious injury. (000100a)

---

## **WARNING**

Environmental Hazard. Always recycle batteries at an official recycling center in accordance with all local laws and regulations. Failure to do so could result in environmental damage, death, or serious injury. (000228)

---

## **GENERAC MOBILE PRODUCTS LLC**

**215 Power Drive • Berlin, WI 54923 U.S.A.**

**Phone: 920-361-4442**

**FAX: 920-361-4416**

**Toll Free: 1-800-926-9768**

**[www.generacmobileproducts.com](http://www.generacmobileproducts.com)**

**For technical or parts QUESTIONS, contact Generac Mobile Products Technical Service at 1-800-926-9768.**

Engine Make: \_\_\_\_\_

Engine Serial Number: \_\_\_\_\_

Engine Model Number: \_\_\_\_\_

This Page Intentionally Left Blank



# Table of Contents

Introduction .....	iii
Parts Manual Instructions .....	1
Unit Decals - Front, Rear and Top.....	2
Unit Decals - Left and Right Sides.....	4
Unit Decals - Inside Unit.....	6
Mast, Junction Box and Lights to Unit .....	8
Light Assembly - 320 Watt.....	10
Mast Junction Box Assembly - Hard Wired Lights.....	12
Mast Assembly .....	14
Mast Assembly - Bottom Post - Manual Winch .....	16
Mast Assembly - Bottom Post - Electric Winch .....	18
Enclosure Assembly (1 of 2).....	20
Enclosure Assembly (2 of 2).....	22
Control Box - Analog- No Export .....	24
Control Box - Analog - W/Shore and Inlet Power (if Equipped) .....	26
Control Assembly - Digital - No Export .....	28
Control Box - Digital - W/ Inlet and Shore Power .....	30
Power Panel Options.....	32
Night Watchman Assembly (if Equipped).....	34
Cooling System Assembly.....	36
Engine Assembly.....	38
Generator .....	40
Components to Trailer Assembly (1 of 2).....	42
Components to Trailer Assembly (2 of 2).....	44
Trailer Assembly.....	46
Recommended Spare Parts - Engine and Service Kits.....	48
Recommended Spare Parts - Electrical .....	50
Recommended Spare Parts - Misc.....	52



# Parts Manual Instructions

Product illustrations are only representations. Products supplied may vary from the illustrations in this parts manual. Parts not shown in the illustration are indicated by a double dash (--) in the item column.

Please be prepared to provide the following information when ordering replacement parts: model number, serial number (on unit serial tag), part number, purchase order number (if applicable), shipping address, shipping method.

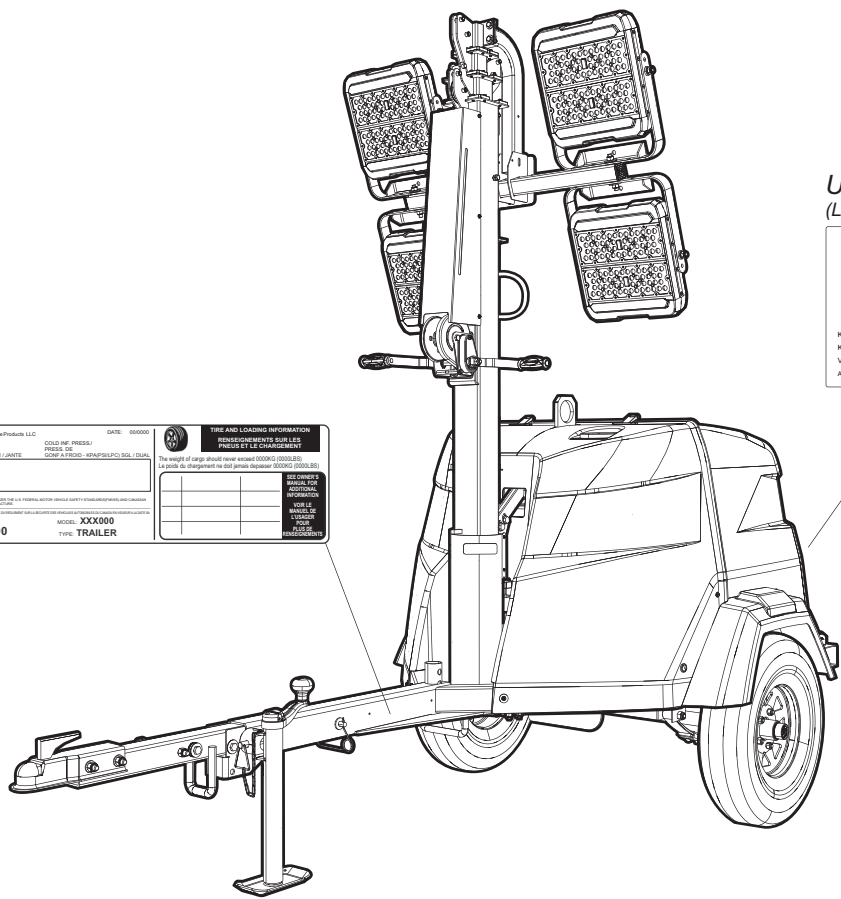
Refer to the illustration below to locate the unit ID tag and Vehicle Identification Number (VIN) tag on the unit. Important information, such as the unit serial number, model number, VIN and tire loading information are found on these tags. Record the information from these tags so it is available if the tags are lost or damaged. When ordering parts or requesting assistance, you may be asked to provide this information.

*VIN Tag*

MANUFACTURED BY/FABRIQUE PAR: Generac Mobile Products LLC		DATE: 05/05/00
GVW/PNEUM: 600KG (1320LBS)	COLOR/COULEUR: <input type="checkbox"/> RED / <input type="checkbox"/> WHITE	
CHASSIS/CHASSIS: <input type="checkbox"/> TRAILER / <input type="checkbox"/> SEMI / <input type="checkbox"/> TRACTOR	TYPE: TRAILER	
VIN: 000000000000000000		
<b>WEIGHT AND LOAD INFORMATION</b> PNEUMATIQUES/POIDS ET LE CHARGEMENT The weight of cargo should never exceed 600KG (1320LBS) Le poids de chargement ne doit jamais dépasser 600KG (1320LBS)		SEE CHASSIS MANUEL FOR ADDITIONAL INFORMATION. SEE LE MANUEL DE CHASSIS POUR DE PLUS DE RENSEIGNEMENTS

*Unit ID Tag  
(Located on top of control box)*

Manufactured by Generac Mobile Products LLC			
(800) 361-4642		(800) 826-8768	
Country of Origin	Model	Serial Number	
<input type="text"/>	<input type="text"/>	<input type="text"/>	
Manufacturing Code	Weight (kg/lbs)	SMA/Frequency	
<input type="text"/>	<input type="text"/>	<input type="text"/>	
		Rating	
1 ph, 1.0PF	3 ph, 8PF	3 ph, 1.0PF	
KW <input type="text"/>	<input type="text"/>	<input type="text"/>	
KVA <input type="text"/>	<input type="text"/>	Ins. Class <input type="text"/>	
V <input type="text"/>	<input type="text"/>	<input type="text"/>	
A <input type="text"/>	<input type="text"/>	<input type="text"/>	



03754

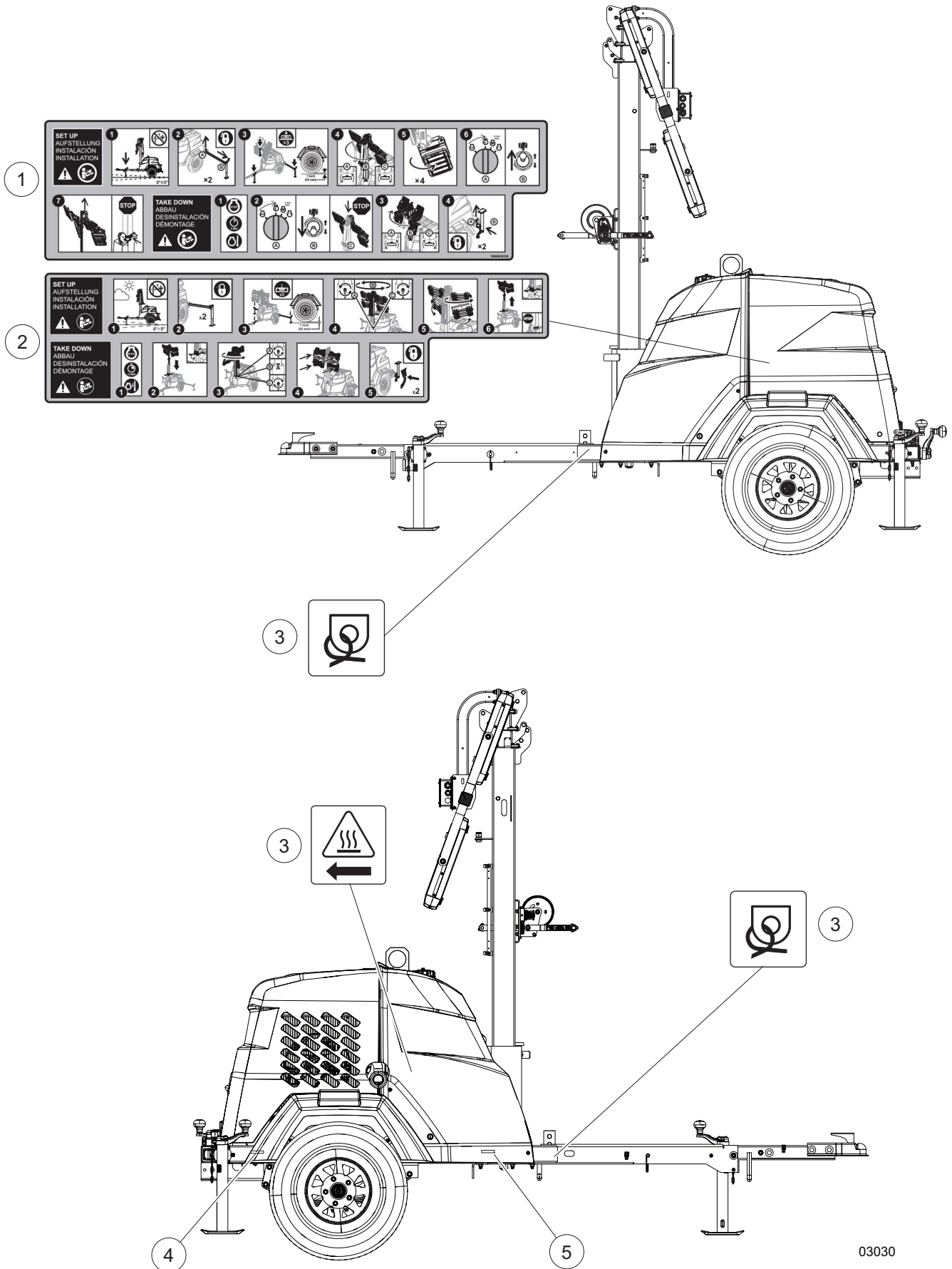


## UNIT DECALS - FRONT, REAR AND TOP

---

Item	Part No.	Qty	Description	Notes
1	55016	1	DECAL, SAFETY	
2	A0000268141	1	DECAL, MLT TOWING INSTRUCTIONS W/65MPH	

# UNIT DECALS - LEFT AND RIGHT SIDES



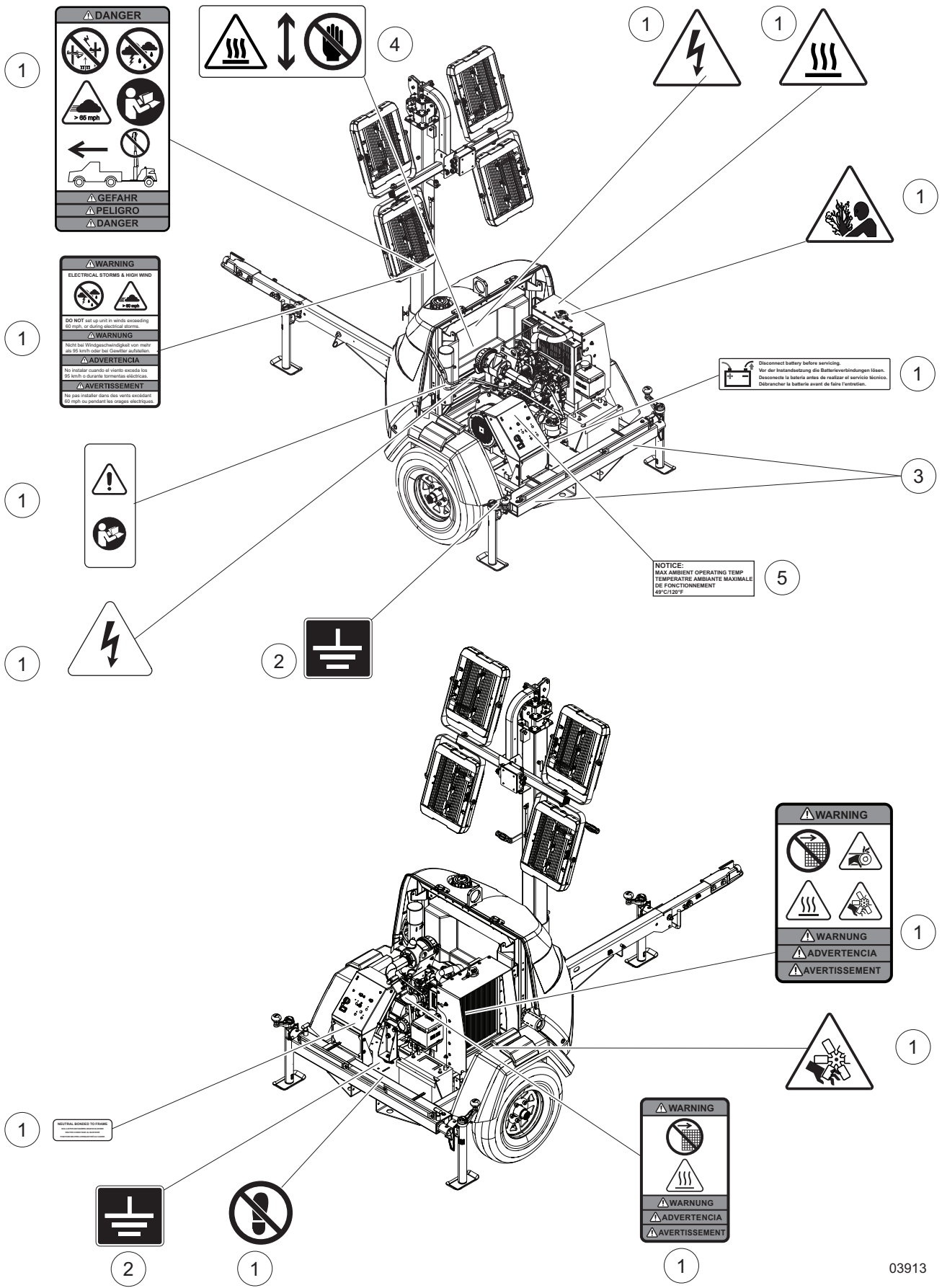
03030

## UNIT DECALS - LEFT AND RIGHT SIDES

---

Item	Part No.	Qty	Description	Notes
1	10000035325	1	DECAL, OPERATION - SKDS (ELECTRIC)	
2	10000035402	1	DECAL, OPERATION - SKDS (MANUAL)	shown
3	55016	1	DECAL, SAFETY	
4	A0000617187	2	REFLECTOR, RED (2 IN X.3.5 IN)	
5	A0000617188	2	REFLECTOR, AMBER (2 IN X.3.5 IN)	

# UNIT DECALS - INSIDE UNIT



03913

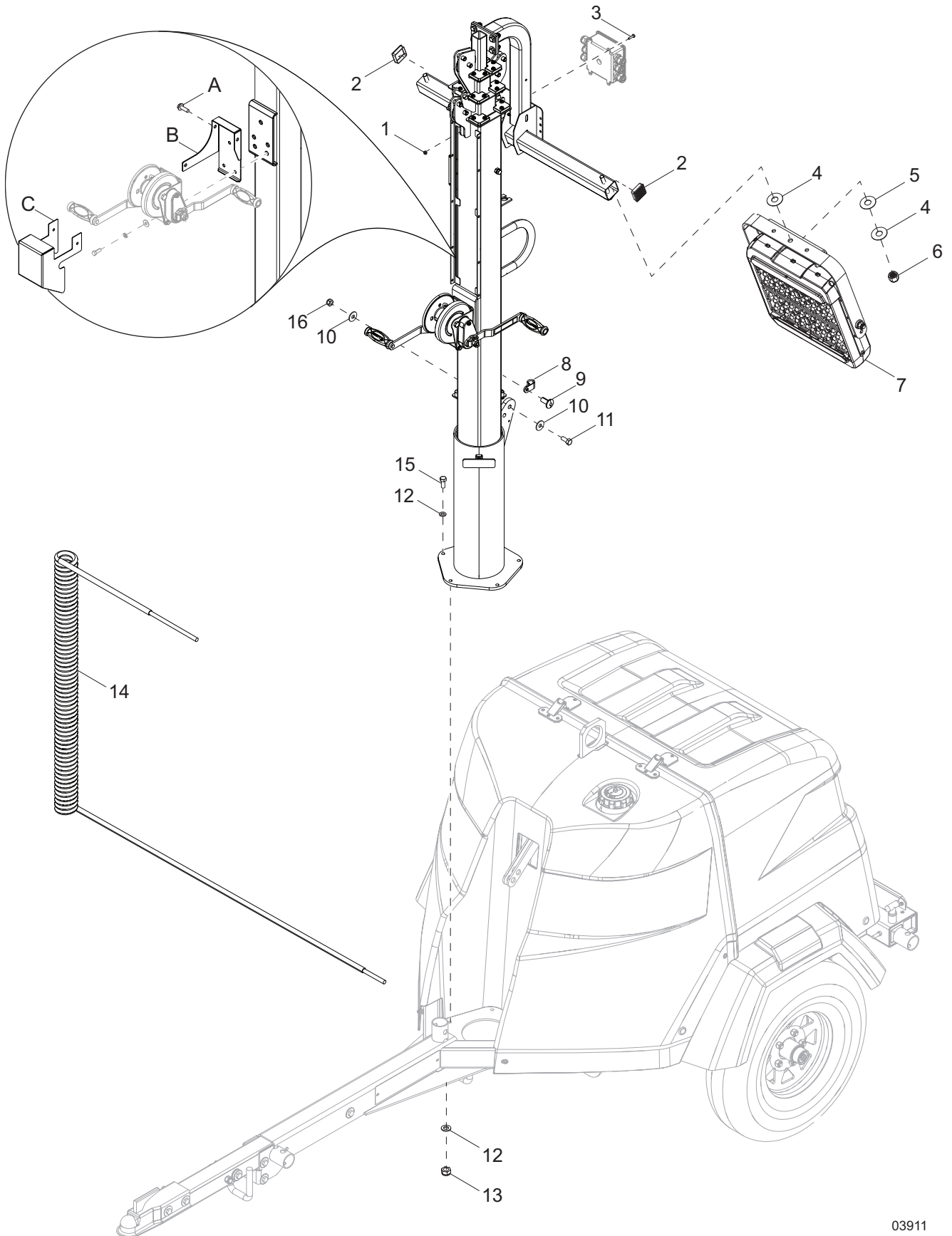


## UNIT DECALS - INSIDE UNIT

---

Item	Part No.	Qty	Description	Notes
1	55016	1	DECAL, SAFETY MLT6SMD	
2	12142	1	DECAL, GROUND	
3	A0000617187	2	REFLECTOR, RED (2 IN X.3.5 IN)	
4	A0000116250	1	DECAL, HOT EXHAUST ABOVE	
5	A0005111231	1	DECAL NOTICE - MAX AMBIENT 49C-120F	

# MAST, JUNCTION BOX AND LIGHTS TO UNIT



03911

## MAST, JUNCTION BOX AND LIGHTS TO UNIT

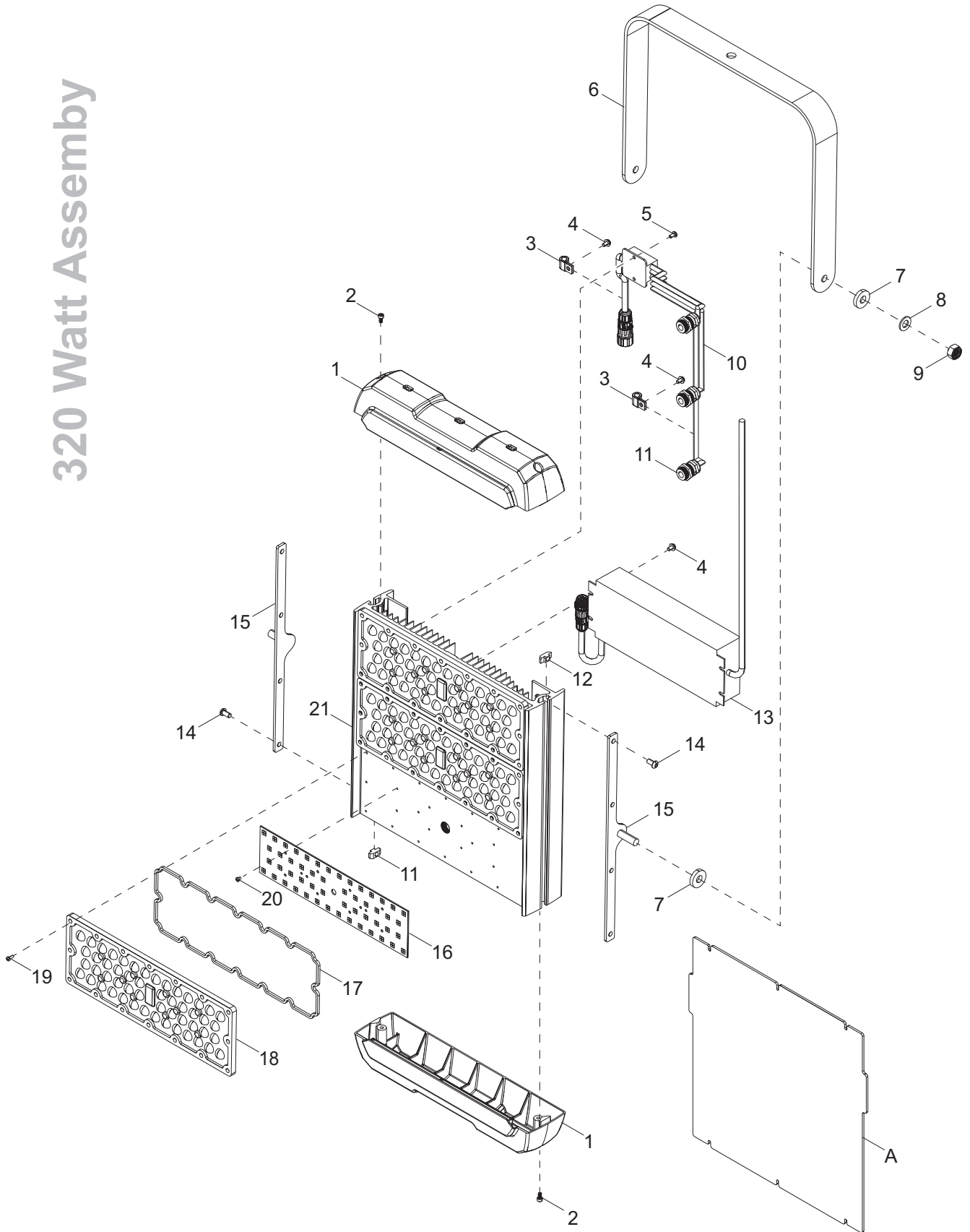
Item	Part No.	Qty	Description	Notes
1	60061	4	NUT, 10-32 NYLOCK, ZC	
2	10000023259	2	PLUG, 2.0 SQUARE X .14 GA TUBE, PLASTIC	
3	60062	4	SCREW, 10-32 X .750 PAN PHILLIPS, G2	
4	A0000221212	8	WASHER FLAT M12 X 37OD X 1.5THK NYLON	
5	G052259	4	WASHER FLAT M12	
6	0D7119	4	NUT HEX LOCK M12-1.75 NY INS	
7	A0001904532	4	ASSY LED LIGHT HARD WIRE 320W	
8	60375	3	CLAMP, TUBING - .312 LT DUTY	
9	60268	3	RIVET, .188 DIA X .126 TO .250 GRIP SSB6-4S	
10	G022304	4	WASHER FLAT 1/2 ZINC	
11	60484	2	SCREW, .500-13 X 2.0 STANDARD HEX, G5	
12	60386	10	WASHER, .375 FLAT .993/.064	
13	60358	5	NUT, .375-16 NYLOCK, G5	
14	A0000098118	1	ASSEMBLY, COIL CORD	
15	60139	5	SCREW, .375-16 X 1.50 HEX, G5	
16	62221	2	NUT, .500-13 NYLOCK, G5	

### OPTIONAL FEATURES

#### MAST WINCH COVER OPTION (If equipped):

A	60528	4	SCREW, .250-20X.625 SFLG HEX G5 ZC
B	A0004064495	1	ASSY-PLATE-MANUAL WINCH
C	A0000527662	1	STB COVER, MANUAL WINCH - MLT6/8S

320 Watt Assembly



03022

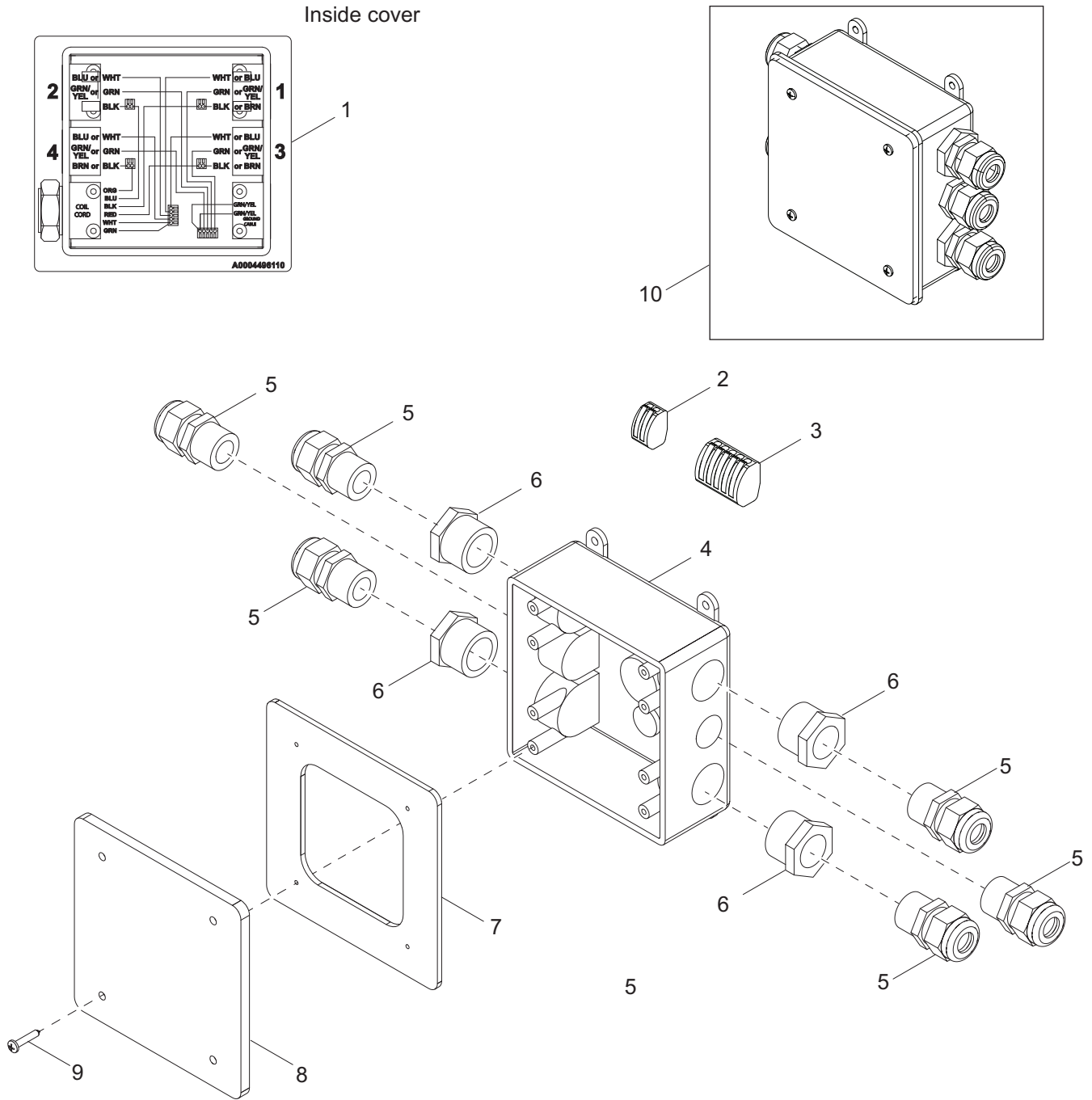
## LIGHT ASSEMBLY - 320 WATT

Item	Part No.	Qty	Description	Notes
1	A0000092362	2	END CAP, WITH DIFFUSER SLOT	
2	A0000188756	4	SCREW, M4-.7 X 12	
3	G020151	2	CLAMP, .312 X .302 - STEEL/VINYL	
4	0G7070	6	SCREW, M4-.7 X 14 PPHM	
5	G020745	2	SCREW, M4-.7 X 12 PPHM	
6	A0000416868	1	BRACKET, TRUNNION - 320W	
7	A0000188752	4	WASHER, M10 ID X 25MM OD X 5 MM T	
8	60027	2	WASHER, M10 FLAT	
9	A0000009451	2	NUT, M10-1.50 NYLOCK, G8.8	
10	A0000188731	1	CABLE, 2 POSITION, 3 WAY SPLITTER - PARALLEL	
11	A0000092266	3	STRAIN RELIEF, 320W LED	
12	A0000188739	8	NUT, M6-1.00 X 12 HAMMER	
13	A0000188779	1	ASSEMBLY, DRIVER WITH CONNECTOR	
14	A0000214354	8	SCREW, M6-1.0 X 12 BHSC - BLACK	
15	A0000095202	2	BRACKET, TRUNNION TO FRAME	
16	A0000092359	3	LED, PCB POPULATED 3030	
17	A0000092361	3	GASKET, OPTICAL LENS SEAL	
18	A0000092360	3	LENS, OPTICAL 60°	
19	A0000192578	48	SCREW, MOUNTING - OPTICAL LENS	
20	A0000192575	30	SCREW, MOUNTING - PCB	
21	A0000092179	1	FRAME, HEAT SINK 320W - LED	

*Diffused Lighting (If equipped):*

A	A0000095669	1	LENS DIFFUSER 320W LED
--	A0000277071	1	KIT, DIFFUSER LENS STORAGE 320W - LED

# MAST JUNCTION BOX ASSEMBLY - HARD WIRED LIGHTS

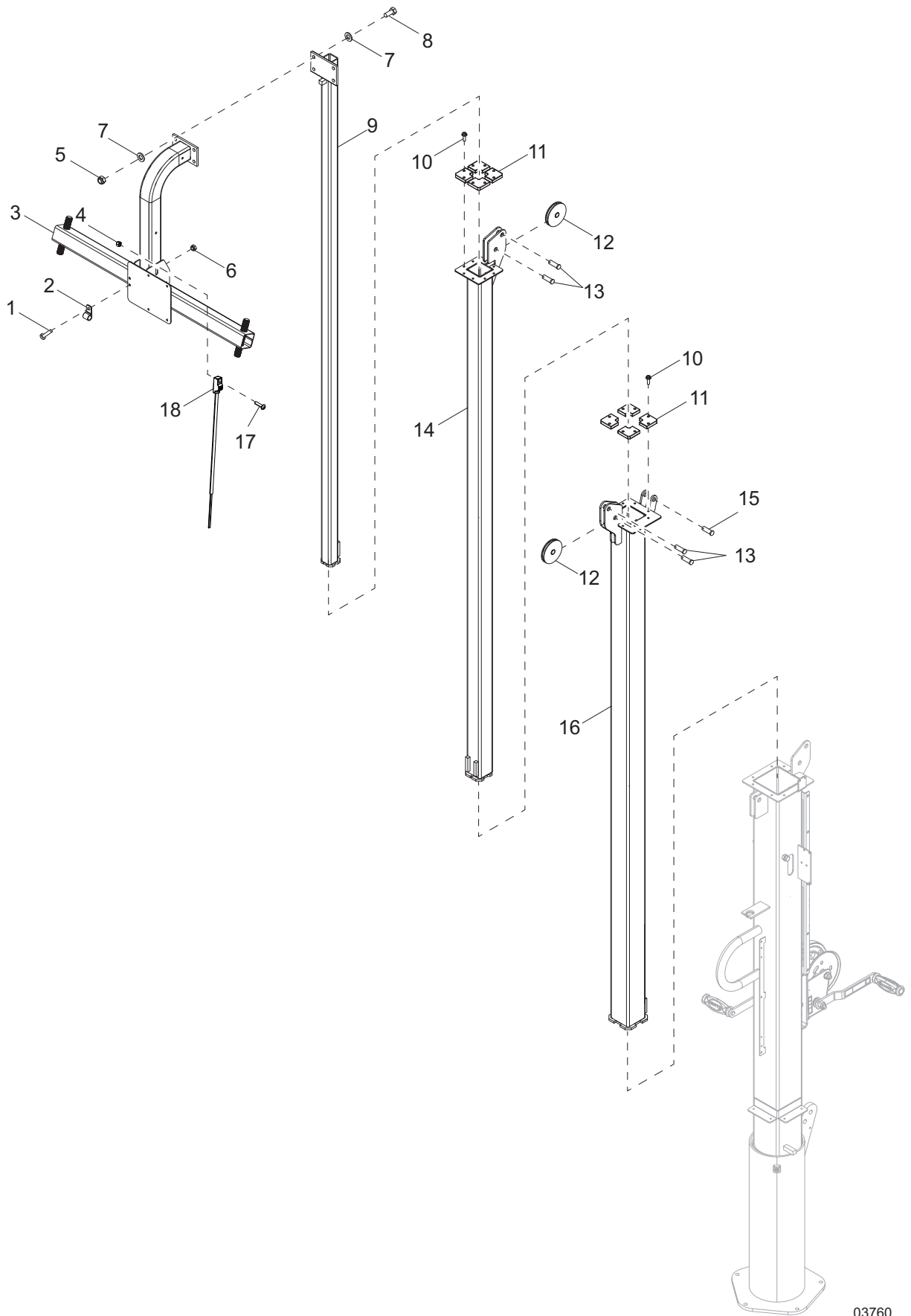


02607

## MAST JUNCTION BOX ASSEMBLY - HARD WIRED LIGHTS

Item	Part No.	Qty	Description	Notes
1	A0004496110	1	DECAL, MAST JUNCTION BOX	
2	66100	4	CONNECTOR, 2 POSITION	
3	66102	2	CONNECTOR, 5 POSITION	
4	12094	1	BOX, JUNCTION	
5	60755	4	FITTING, STRAIGHT .750MNPT X .500FNPT, NYL	
6	15864	6	STRAIN RELIEF, .500NPT WATER TIGHT	
7	13749SRV	1	GASKET, JUNCTION BOX - HFI 281000	
8	12109	1	COVER, BOX, 2-GANG PLASTIC	
9	60424	4	SCREW, 6-32 X .750 PAN PHILLIPS, G2	
10	A0004671291	1	ASSEMBLY, MAST JUNCTION BOX	

# MAST ASSEMBLY



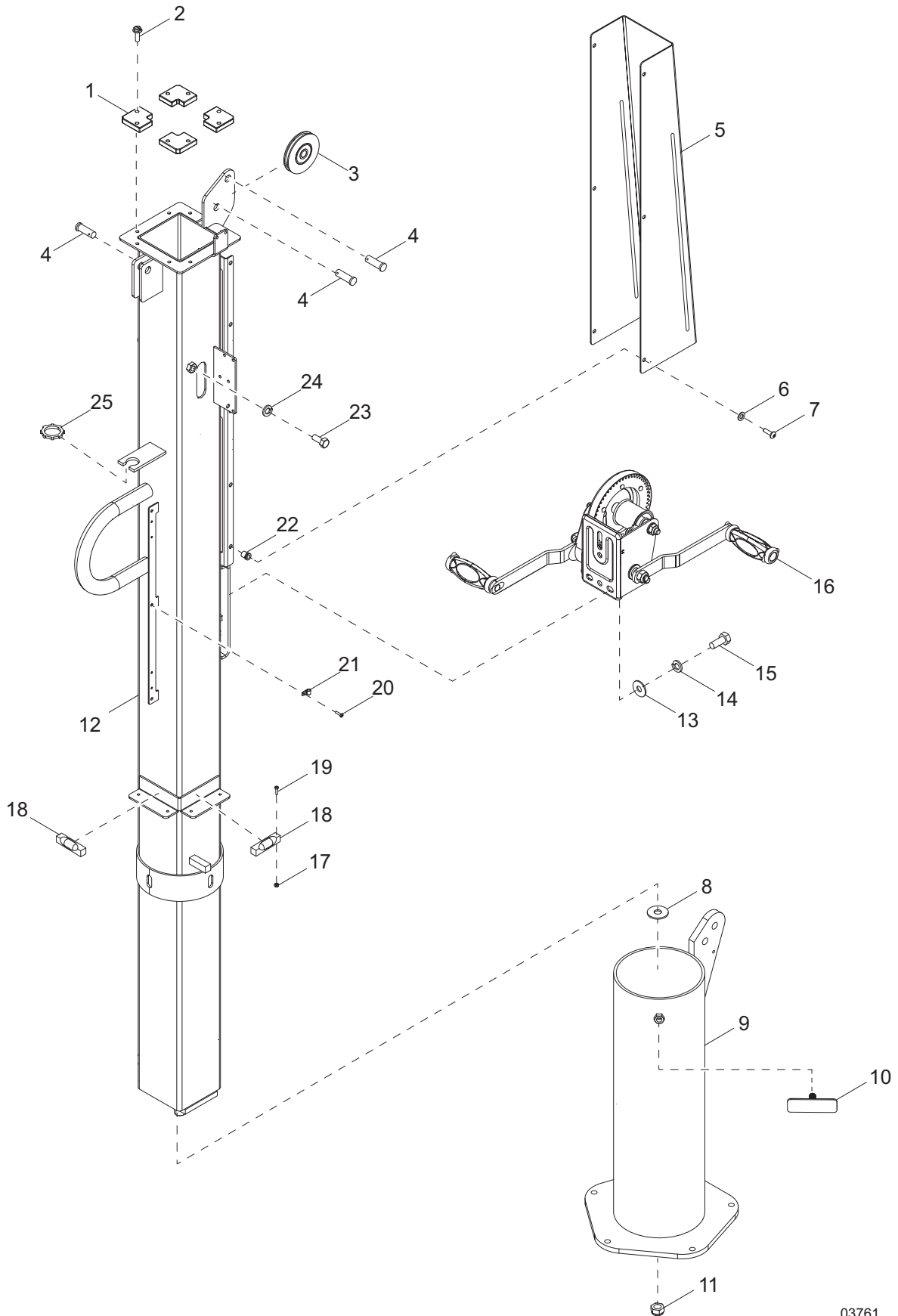
03760



**MAST ASSEMBLY**

<b>Item</b>	<b>Part No.</b>	<b>Qty</b>	<b>Description</b>	<b>Notes</b>
1	60061	1	NUT, .250-20 NYLK 18-8 SS	W/A0001500722
2	16143	1	CLAMP, TUBING .312 - LT DUTY	W/A0001500722
3	A0000199129	1	STB WELDMENT MAST CROSSARM	
4	0E6480	1	NUT HEX LOCK M4-0.7 NY INS	
5	60358	4	NUT, .375-16 NYLOCK, G5	
6	60062	1	SCREW .250-20X.750 SFLG HEX G5	W/A0001500722
7	60698	8	WASHER, .375 FLAT .993/.064	
8	60352	4	SCREW, .375-16 X 1.250 HEX, G5	
9	31264B	1	WELDMENT, MAST - 1.50	
10	63358	16	SCREW, .250-20 X .625 HEX WASH HD	
11	31225	8	GUIDE	
12	33736	2	ASSEMBLY, PULLEY - VERTICAL MAST	
13	63325	4	PIN, CLEVIS .500 DIAMETER X 1.063 UL	
14	31261B	1	WELDMENT, MAST - 2.25	
15	35655	1	PIN, CLEVIS .500 DIAMETER X 1.750 ZP	
16	A0002848667	1	STB WELDMENT MAST 3.00	
17	G075476	1	SCREW PPHM M4-0.7 X 16	
18	A0002233216	1	ASM CABLE MOLDED GROUND TERMINAL	
--	31247	1	CABLE, .188 X 144 W/BALL SWEDGE	WINCH CABLE
--	31248	1	CABLE, .188 X 79.750 W/BALL SWEDGE	MIDDLE CABLE
--	31277	1	CABLE, .188 X 78.0 W/BALL SWEDGE	TOP CABLE

# MAST ASSEMBLY - BOTTOM POST - MANUAL WINCH

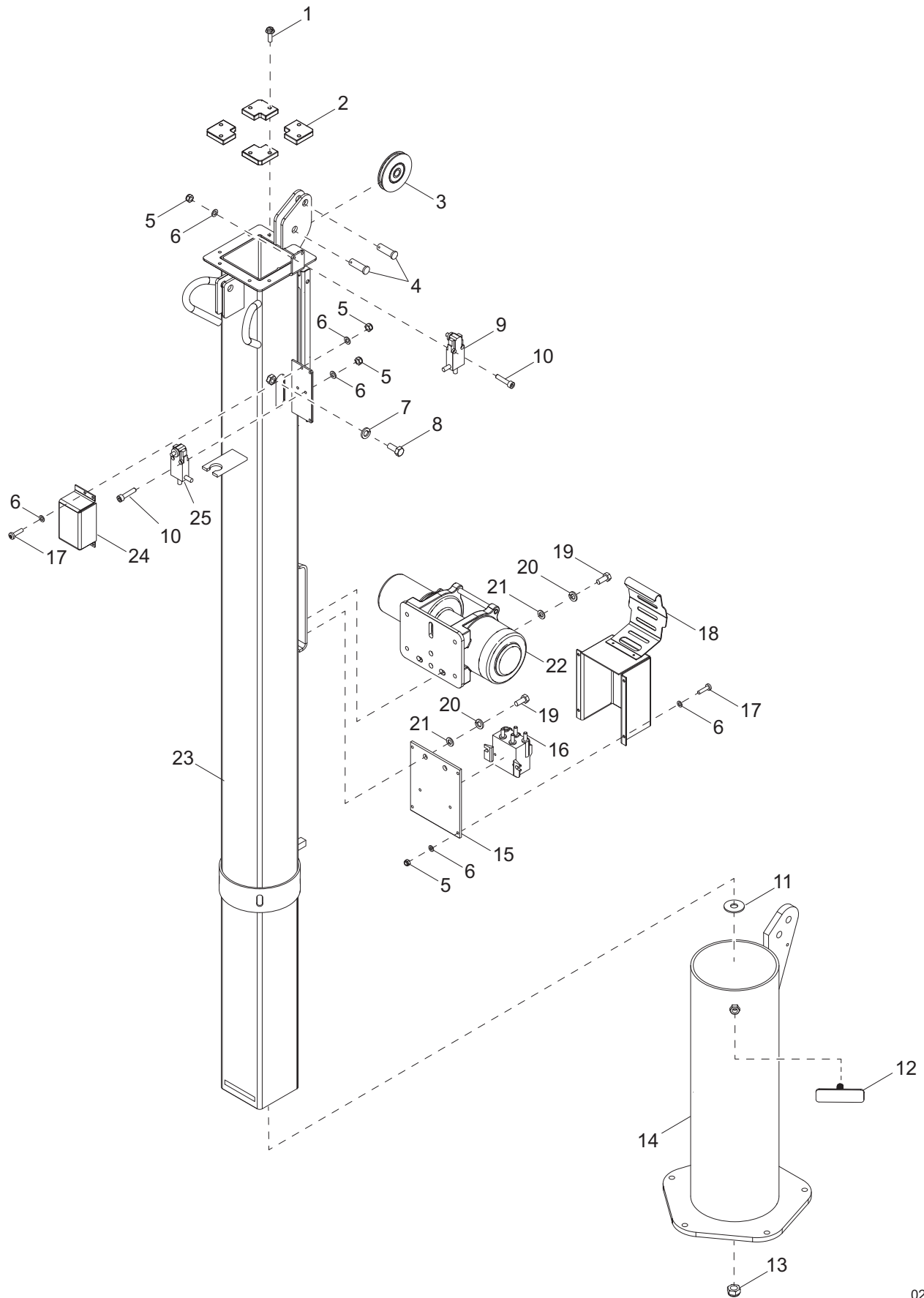


03761

## MAST ASSEMBLY - BOTTOM POST - MANUAL WINCH

Item	Part No.	Qty	Description	Notes
1	31225	4	GUIDE	
2	63358	8	SCREW, .250-20 X .625 HEX WASHER HEAD	
3	33736	1	ASSEMBLY, PULLEY VERTICAL MAST	
4	63325	3	PIN, CLEVIS .500 DIAMETER X 1.063 UL	
5	72116B	1	CABLE GUARD, MANUAL WINCH	
6	60067	6	WASHER, #10 FLAT .435/.060 18-8 SS	
7	60398	6	SCREW, 10-32X.500 PAN PHIL18-8 SS	
8	60247	1	WASHER, .750 FLAT 2.020/.130	
9	31218B	1	WELDMENT, MAST ROTATION TUBE	
10	10000018317	1	STZY WELDMENT T HANDLE	
11	60584	1	NUT, .750-10 NYLOCK, G5	
12	A0002749456	1	STB WELDMENT MAST 4.00	
13	60386	3	WASHER. .375 FLAT .993/.064	
14	60206	3	WASHER, .375 SPLIT LOCK - HARDENED	
15	60205	3	SCREW, .375-16 X 1.0 HEX, G5	
16	72127	1	WINCH, MANUAL - 1500 LB, DUAL HANDLE	
17	60051	4	NUT, M4-.70 NYLK G8.8 ZC	
18	A0000764090	2	LEVEL- SPIRIT	
19	A0000945464	4	SCREW PFHM M4-0.7 X 25 18-8 SS	
20	60268	3	RIVET, .188 DIA X .126 TO .250 GRIP SS	
21	60375	3	CLAMP, TUBING - .312 LT DUTY	
22	32922	6	INSERT, THD #10-32 SPLINED .020-.130 GR	
23	62269	2	SCREW, .375-16X.75 STD HEX 18-8 SS, RED	
24	60703	2	WASHER, .375 SPLIT LOCK 18-8 SS	
25	15861	1	NUT, SPECIAL .500 NPT LOCK	

# MAST ASSEMBLY - BOTTOM POST - ELECTRIC WINCH

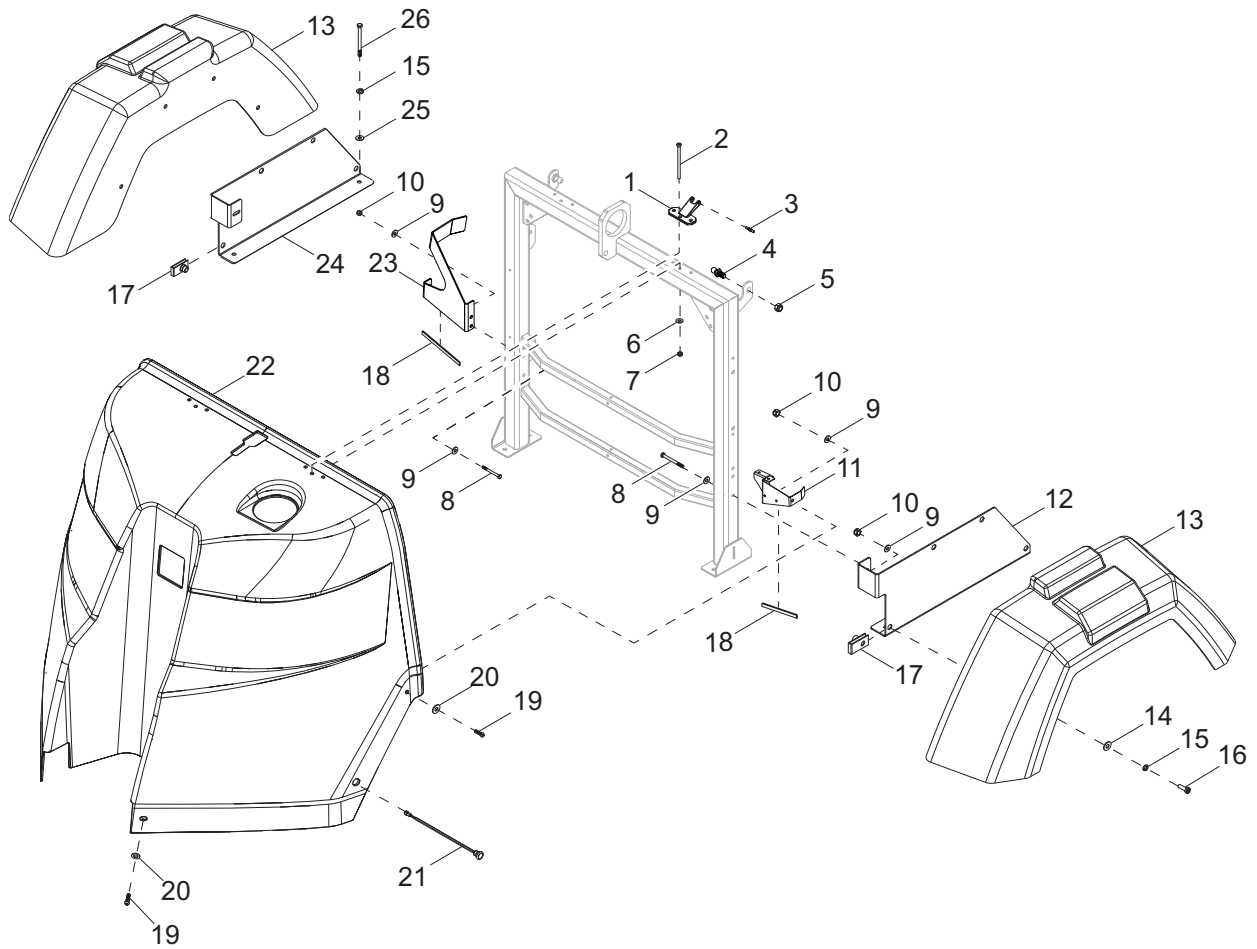


02580

## MAST ASSEMBLY - BOTTOM POST - ELECTRIC WINCH

Item	Part No.	Qty	Description	Notes
1	63358	8	SCREW, .250-20 X .625 HEX WASHER HEAD	
2	31225	4	GUIDE	
3	33736	1	ASSEMBLY, PULLEY VERTICAL MAST	
4	63325	2	PIN, CLEVIS .500 DIAMETER X 1.063 UL	
5	60270	11	NUT, 8-32 NYLOCK, G6	
6	60269	18	WASHER, #8 FLAT .433/.036	
7	60703	2	WASHER, .375 SPLIT LOCK, SS	
8	62269	2	SCREW, .375-16 X .75 HEX, SS - RED	
9	31740	1	ASSEMBLY, DOWN SWITCH	
10	67190	4	SCREW, 8-32 X 1.125 SOCKET HEAD, SS	
11	60247	1	WASHER, .750 FLAT 2.020/.130	
12	10000018317	1	WELDMENT, T-HANDLE	
13	60584	1	NUT, .750-10 NYLOCK, G5	
14	31218B	1	WELDMENT, MAST ROTATION TUBE	
15	37207B	1	PLATE, CONTACTOR	
16	11293	1	CONTACTOR	HARDWARE INCL
17	60694	7	SCREW, 8-32X.750 PAN PHIL 18-8 SS	
18	37468B	1	WELDMENT, WINCH COVER	
19	60205	5	SCREW, .375-16 X 1.0 STANDARD HEX, G5	
20	60206	5	WASHER, .375 SPLIT LOCK	
21	60386	5	WASHER, .375 FLAT .993/.064	
22	12874	1	WINCH, ELECTRIC - 770 LB HOIST	
23	73158B	1	WELDMENT, MAST 4.0 IN	
24	37205B	1	COVER, UP LIMIT SWITCH	
25	31739	1	ASSEMBLY, UP STOP SWITCH	
--	12922	2	BOOT, BATTERY CABLE - RED	
--	31742	1	WIRE GROUP, ELECTRIC WINCH BOX	
--	31743	1	HARNESS, WINCH POWER CABLES	

# ENCLOSURE ASSEMBLY (1 OF 2)

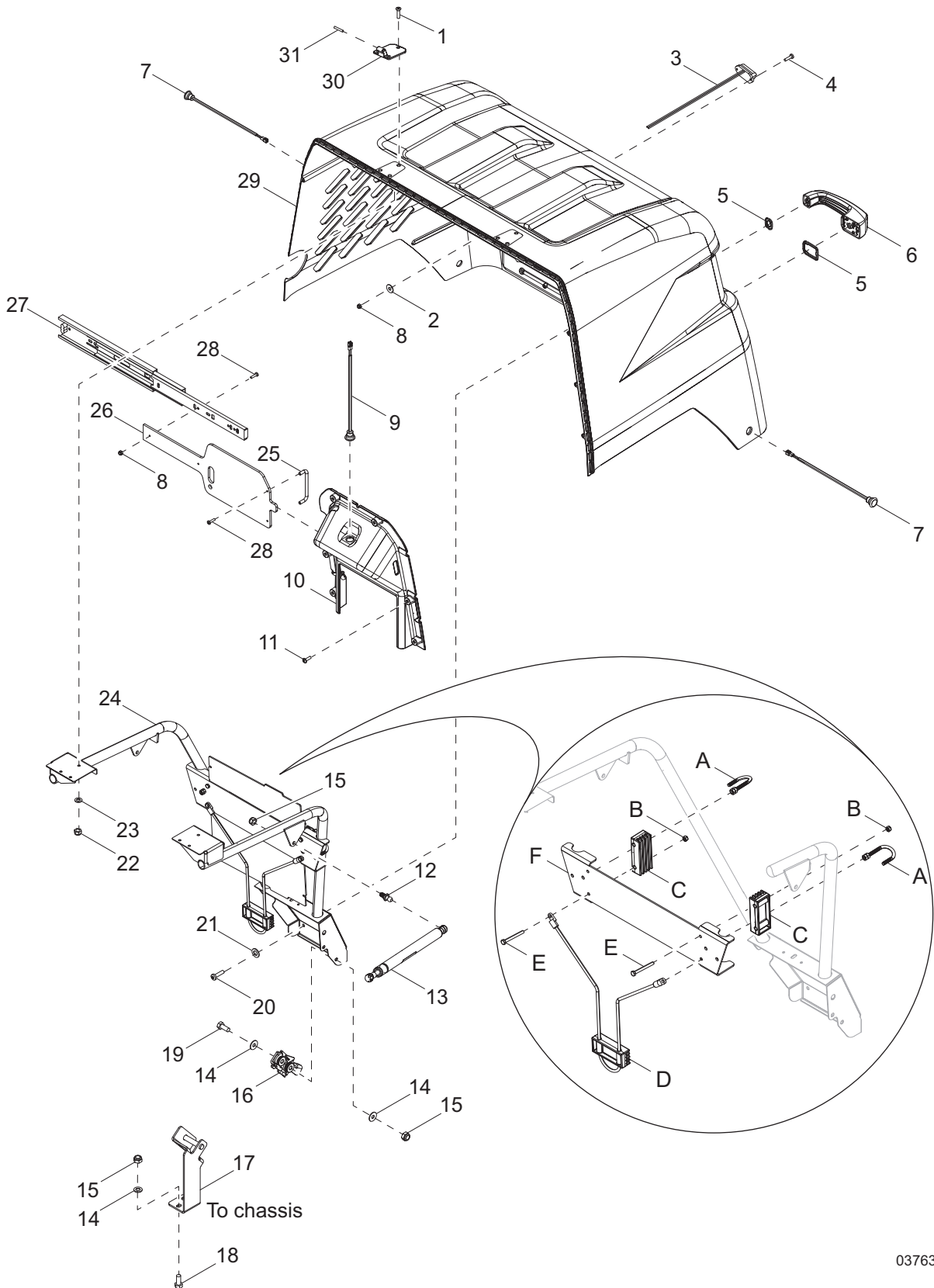


03895

**ENCLOSURE ASSEMBLY (1 OF 2)**

<b>Item</b>	<b>Part No.</b>	<b>Qty</b>	<b>Description</b>	<b>Notes</b>
1	10000022542	2	HINGE, OFFSET HOUSING LEAF - FRONT	
2	60269	6	SCREW, 10-24 X 3.0 FLAT HEAD PHILLIPS, SS	
3	10000022543	2	PIN, OFFSET HOUSING HINGE - KNURLED	
4	35293	2	BALL STUD, 10MM, .312-18	
5	60303	2	NUT, .312-18 NYLOCK, G2	
6	60237	12	WASHER, #10 FLAT .495/.036	
7	60457	12	NUT, M6-1.0 WELD, CLASS 5	
8	61234	6	SCREW, .250-20 X 2.750 STANDARD HEX, G5	
9	60243	12	WASHER, .250 FLAT .735/.060	
10	60144	8	NUT, .250-20 NYLOCK, G5	
11	A0003992870	1	GUIDE BRACKET, ENCLOSURE MTG-LH	
12	35141B	1	BRACKET, MOUNTING FENDER - LEFT	
13	10000017287	2	FENDER, PLASTIC, 13 IN. WHEEL	
14	60386	8	WASHER, .375 FLAT .993/.064	
15	60271	8	WASHER, .312 SPLIT LOCK	
16	60028	8	SCREW, .312-18 X 1.0 STANDARD HEX, G5	
17	62086	8	NUT, .312-18 U-CLIP - SHORT TYPE	
18	19351	1	SEAL, U-CHANNEL	
19	68070	4	SCREW, .250-20 X 1.00 BUTTON HEX, SS	
20	60696	6	WASHER, .250 FLAT .625/.050, SS	
21	36961	2	ASSEMBLY, AMBER SIDE MARKER LIGHT	
22	10000012597	1	ENCLOSURE, FRONT COVER	
23	10000017378	1	GUIDE BRACKET, ENCLOSURE MEETING -RH	
24	35216B	1	BRACKET, MOUNTING FENDER - RIGHT	
25	60119	6	WASHER, .312 FLAT .875/.070	
26	60404	4	SCREW, .312-18 X 1.250 STANDARD HEX, G5	

# ENCLOSURE ASSEMBLY (2 OF 2)



03763



## ENCLOSURE ASSEMBLY (2 OF 2)

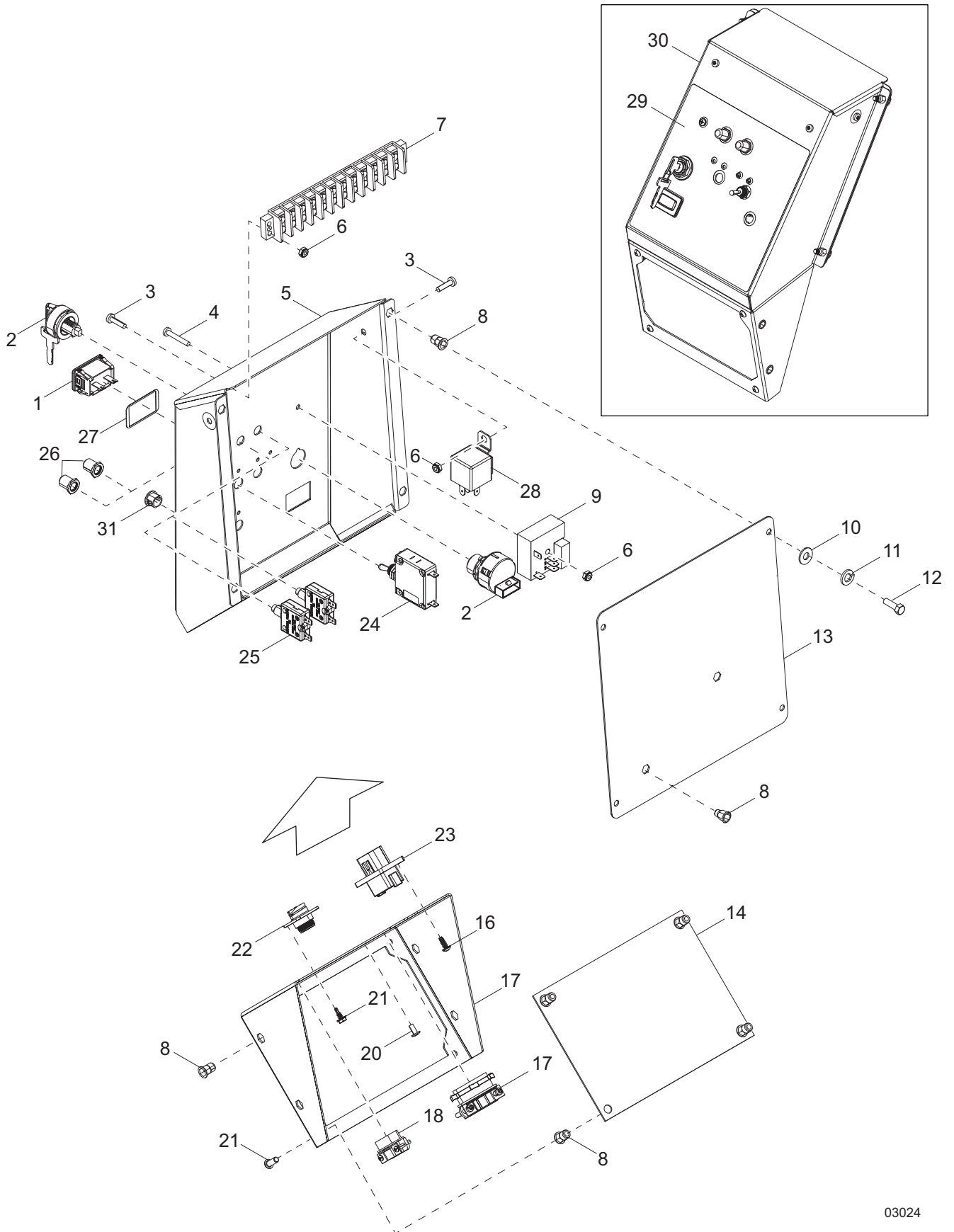
Item	Part No.	Qty	Description	Notes
1	35290	6	SCREW, 10-24 X 1.00 FLAT PHILLIPS, SS	
2	60269	2	WASHER, #8 FLAT .433/.036 ZC	
3	A0001653096	1	LIGHT LICENSE PLATE W/ CONNECTORS	
4	60694	2	SCREW, 8-32 X .750 PAN PHILLIPS, SS	
5	70216	1	GASKET, KIT HANDLE, PUSH BUTTON	
6	35138	1	HANDLE, PUSH-BUTTON PADLOCK	
7	36962	2	ASSEMBLY, RED SIDE MARKER	
8	60270	4	NUT, 8-32 NYLOCK, CLASS 6	
9	36964	1	ASSEMBLY, CONTROLS LIGHT	
10	10000012596	1	BEZEL, CONTROL PANEL TEXTURED - BLACK	
11	10000017348	6	SCREW, D60-2.14 X 20TRWH	
12	35293	2	BALL STUD, 10MM, .313-18	
13	35137	2	GAS SHOCK, 120 LB	
14	60119	6	WASHER, .312 FLAT .875/.070	
15	60303	6	NUT, .312-18 NYLOCK, G2	
16	35139	1	LATCH, ROTARY	
17	37178B	1	MOUNT, DOOR LATCH STRIKER	
18	61066	2	SCREW, .312-18 X 1.00 CARRIAGE SQUARE - SS	
19	62001	2	SCREW, .312-18 X 1.250 STANDARD HEX, G5	
20	60146	3	SCREW, M6-1.00X20 PAN PHIL G4.8 ZC	
21	60243	3	WASHER, .250 FLAT .735/.060	
22	60457	6	NUT, 10-24 NYLOCK, G2 ZC	
23	60237	6	WASHER, #10 FLAT .495/.036 ZC	
24	37012B	1	WELDMENT, ENCLOSURE STRUCTURE	
25	37123	1	HANDLE, CONTROL BOX COVER	
26	10000017623	1	COVER, SLIDING CONTROL PANEL	
27	36914	1	SLIDE, CONTROL BOX COVER	
28	62054	4	SCREW, 8-32 X .500 PAN PHILLIPS - SS	
29	10000017682	1	HOUSING REAR TEXTRD WHT	
30	10000022523	2	HINGE, LEAF OFFSET HOUSING - REAR	
31	10000022543	2	HINGE OFFSET HOUSING KNURLED PIN	

### OPTIONAL FEATURES

#### LED LENS DIFFUSER STORAGE (If equipped):

A	A0000277098	2	U-BOLT M6X1 SS
B	60047	4	NUT, M6-1.00 HEX NYLK CL8.8 ZC
C	A0000277095	2	SPACER PLASTIC
D	A0000277097	1	ASSY CORD ELASTIC MOUNTS AND KEEPER
E	G057058	4	SCREW HHC M6-1.0 X 55 C8.8
F	A0000277086	1	STB BRACKET STORAGE DIFFUSED LENS

# CONTROL BOX - ANALOG- NO EXPORT

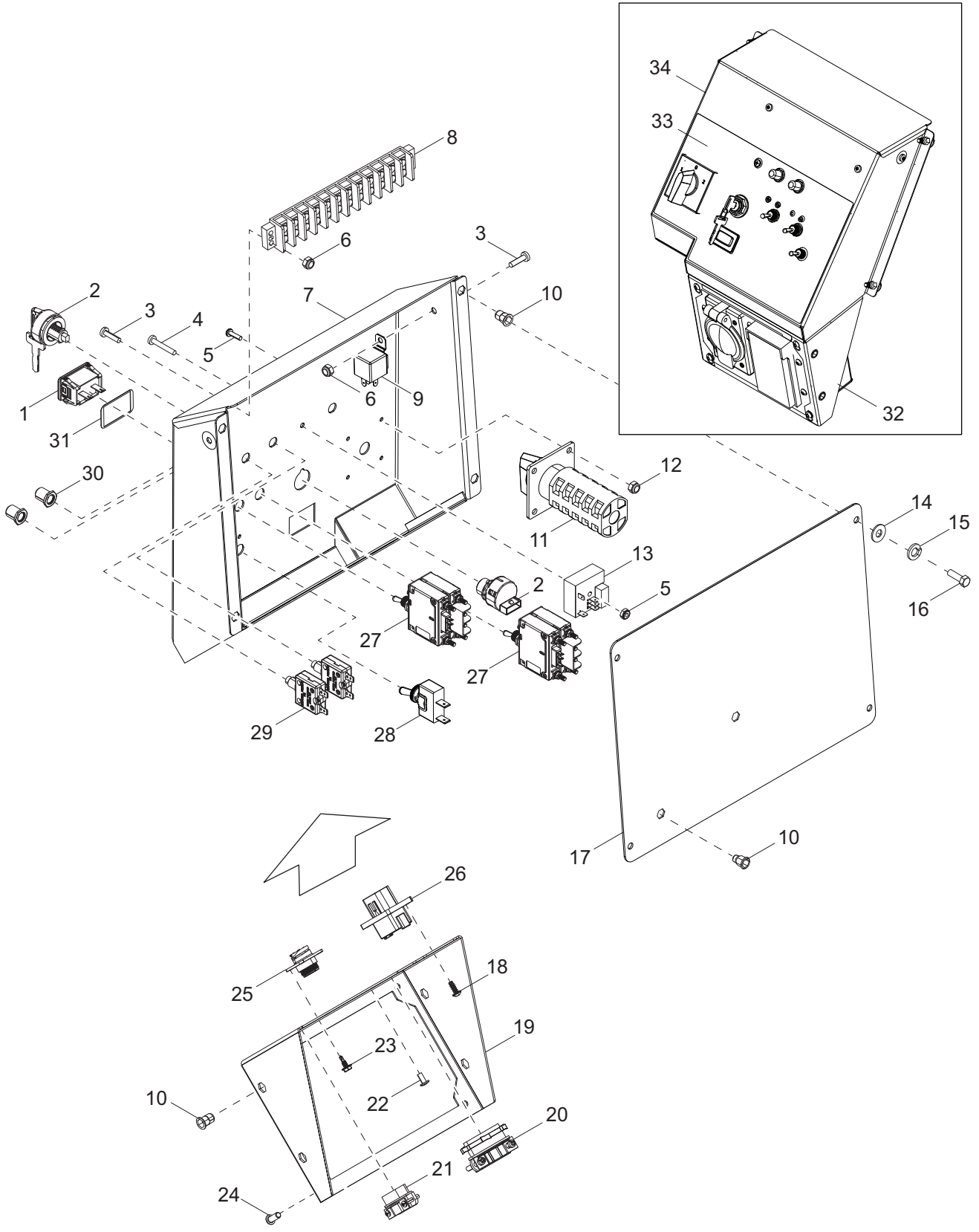


03024

## CONTROL BOX - ANALOG- NO EXPORT

Item	Part No.	Qty	Description	Notes
1	36886	1	METER, HOUR	
2	36882	1	SWITCH, SEALED KEY - 4 POSITION	
3	60062	4	SCREW, 10-32 X .750 PAN PHILLIPS, G2	
4	63308	1	SCREW, 10-32 X 1.250 PAN PHILLIPS - SS	
5	A0000108466	1	STB CONTROL BOX	
6	60061	5	NUT, 10-32 NYLOCK	
7	14139	1	TERMINAL BLOCK, 12 POSITION, 30A, 600V	
8	G092120	12	NUT LK TRIC M6X1.0 (.027-.165 GRIP) Y/Z	
9	14201	1	RELAY, SPDT 10A 12VDC TIME DELAY-15 SEC	
10	112381	4	WASHER-FLAT 1/4 USS	
11	60286	4	WASHER, .250 SPLIT LOCK	
12	60335	4	SCREW, M6-1.00 X 25 STANDARD HEX - SS	
13	A0004386618	1	ST03 CONTROL BOX CVR	
14	A0000141014	1	ST03 NO RECEPTACLE PANEL	
15	37027	4	SCREW, 10-12 X .500 PAN PHILLIPS - PLASTITE	
16	A0000108467	1	STB RECEPTACLE MOUNTING BRACKET	
17	66425	1	STRAIN RELIEF, 1.25 ROMEX W/NUT	
18	14219	1	STRAIN RELIEF, .750 ROMEX W/NUT	
19	60268	5	RIVET, .188 DIAMETER X .126 TO .250 GRIP - SS	
20	62187	4	SCREW, 4-40X.500 PAN PHIL 18-8 SS	
21	0A3359	4	SCREW, M6-1.0 X 16 STANDARD HEX - SS	
22	10000031026	1	CONNECTOR, PANEL MOUNT, 7 POSITION	
23	0C5137	1	CONNECTOR, DEUTSCH RECEPT BK/FLN	
24	36880	1	SWITCH, LIGHT 15A	
25	36935	2	BREAKER, 15A 250V SINGLE POLE	
26	36938	2	BOOT, PUSH BUTTON BREAKER	
27	36944	1	GASKET HOUR METER	
28	0L3527	1	RLY 30A SPDT 12VDC SOCKET FLG	
29	A0005224494	1	DECAL CONTROL BOX ANALOG NO EXPORT	
30	A0005195243	1	ASSEMBLY, CONTROL BOX-ANALOG-NON-INLET	
31	65798	1	PLUG, HOLE .468 X.06	
--	A0004116573	1	HARNESS, DC CTRL BOX ANALOG	
--	A0004116572	1	HARNESS, AC CTRL BOX ANALOG	

# CONTROL BOX - ANALOG - W/SHORE AND INLET POWER (IF EQUIPPED)

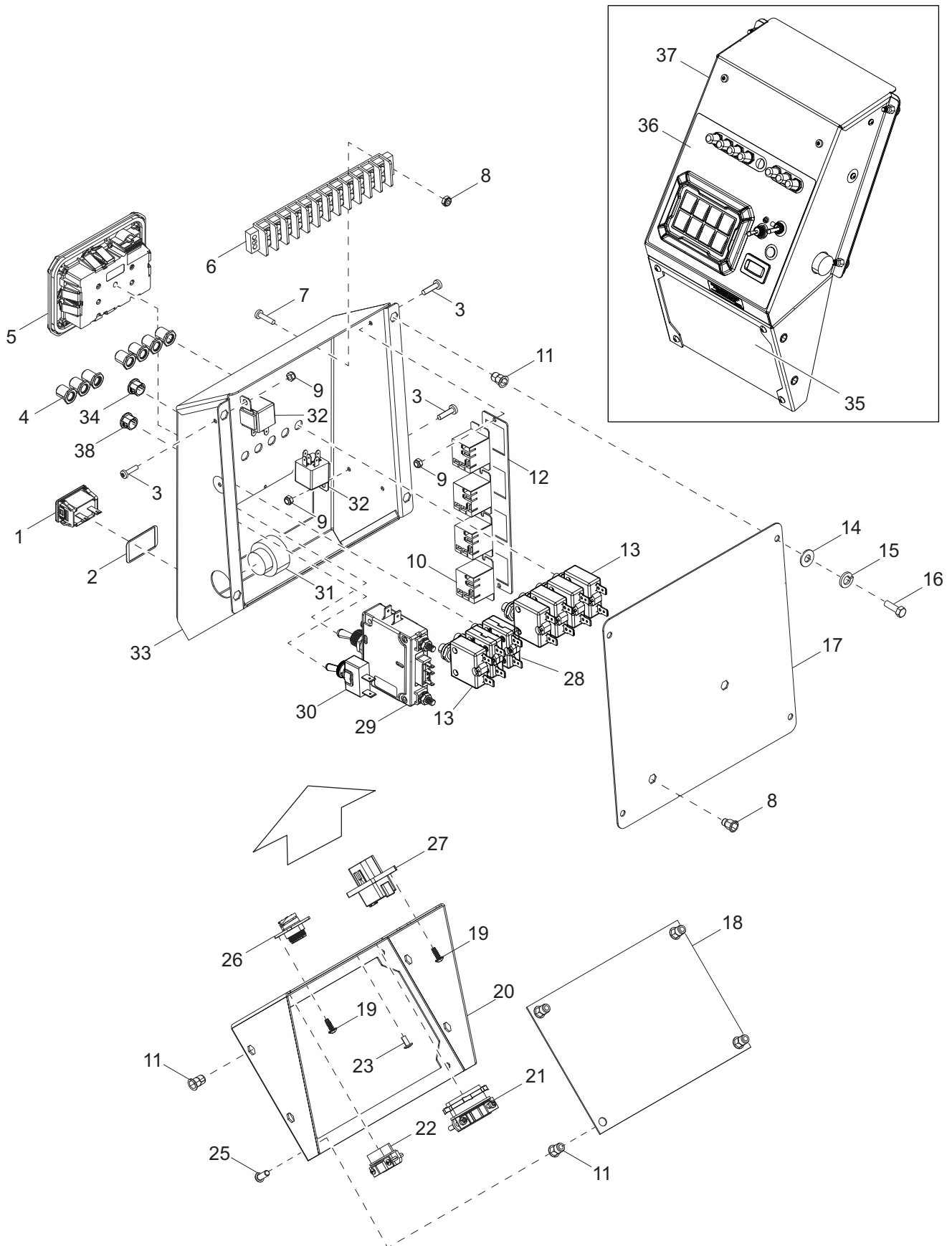


03966

## CONTROL BOX - ANALOG - W/SHORE AND INLET POWER (IF EQUIPPED)

Item	Part No.	Qty	Description	Notes
1	36886	1	METER, HOUR	
2	36882	1	SWITCH, SEALED KEY - 4 POSITION	
3	60062	4	SCREW, 10-32 X .750 PAN PHILLIPS, G2	
4	63308	1	SCREW, 10-32 X 1.250 PAN PHILLIPS - SS	
5	A0000373404	4	SCREW PFHM M4-0.7 X 20	
6	60061	5	NUT, 10-32 NYLOCK	
7	A0000379693	1	STB CONTROL BOX MLTS INPUT POWER SWITCH	
8	14139	1	TERMINAL BLOCK, 12 POSITION, 30A, 600V	
9	0L3527	1	RELAY, 30A SPDT 12VDC SOCKET FLG	
10	G092120	12	NUT LK TRIC M6X1.0 (.027-.165 GRIP) Y/Z	
11	A0000419428	1	SWITCH, ROTARY 600V 20A, 3 POSITION	
12	0E6480	1	NUT HEX LOCK M4-0.7 NY INS	
13	14201	1	RELAY, SPDT 10A 12VDC TIME DELAY-15 SEC.	
14	60243	4	WASHER, .250 FLAT .735/.060 - SS	
15	60286	4	WASHER, .250 SPLIT LOCK	
16	60335	4	SCREW, M6-1.00 X 25 STANDARD HEX - SS	
17	A0004362790	1	ST03 CONTROL BOX CVR MLTS-K INPUT POWER	
18	37027	4	SCREW, 10-12 X .500 PAN PHILLIPS - PLASTITE	
19	A0000108467	1	STB RECEPTACLE MOUNTING BRACKET	
20	66425	1	STRAIN RELIEF, 1.25 ROMEX W/NUT	
21	14219	1	STRAIN RELIEF, .750 ROMEX W/NUT	
22	60268	5	RIVET, .188 DIAMETER X .126 TO .250 GRIP - SS	
23	62187	4	SCREW, 4-40X.500 PAN PHIL 18-8 SS	62187
24	0A3359	4	SCREW, M6-1.0 X 16 STANDARD HEX - SS	
25	10000031026	1	CONNECTOR, PANEL MOUNT, 7 POSITION	
26	0C5137	1	CONNECTOR, DEUTSCH RECEPT BK/FLN	
27	A0004042788	2	BREAKER 15A 2-POLE IULNK12-1REC4-40175-4	
28	10000031493	1	SWITCH TOGGLE SPST 20A SEALED	W/ELEC. WINCH
29	36935	3	BREAKER, 15A 250V SINGLE POLE	
30	36938	4	BOOT, PUSH BUTTON BREAKER	
31	36944	1	GASKET HOUR METER	
32	A0005195268	1	ASSY-RECEPTACLE-120V INLET-15A MLCB	SEE PAGES 30-31
33	A0004487271	1	DECAL CONTROL BOX MLTS ANALOG INLET	
34	A0005195274	1	ASSY-CONTROL BOX	
--	A0004116573	1	HARN DC CTRL BOX ANALOG MLTSK	
--	A0004116572	1	HARN AC CTRL BOX ANALOG MLTSK	
--	A0004149416	1	HARN INPUT SWITCH NO RCB MLTS	

# CONTROL ASSEMBLY - DIGITAL - NO EXPORT

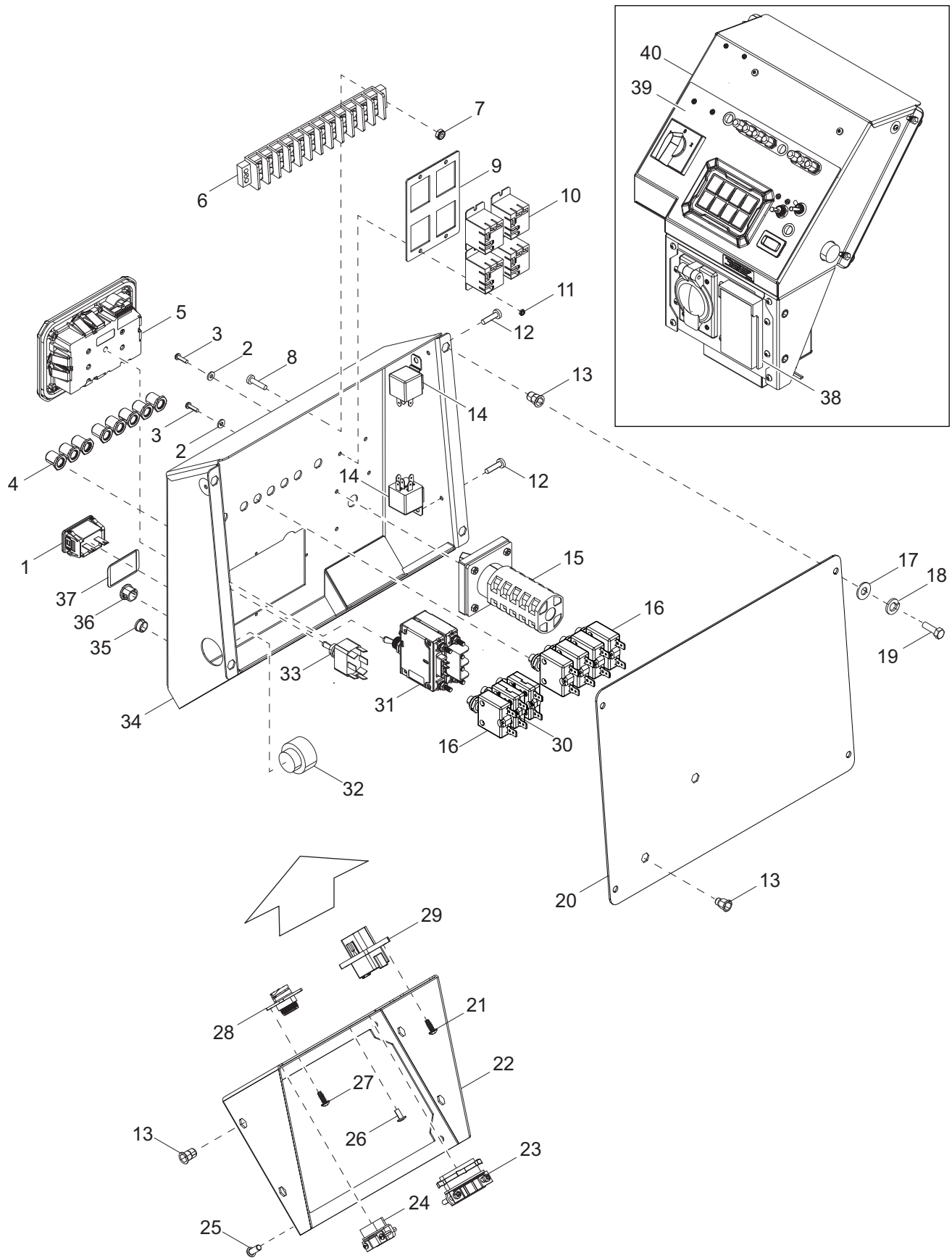


03967

## CONTROL BOX - DIGITAL- NO EXPORT

Item	Part No.	Qty	Description	Notes
1	36886	1	METER, HOUR	
2	36944	1	GASKET HOUR METER	
3	62054	4	SCREW, 8-32 X .500 PAN PHILLIPS - SS	
4	36938	7	BOOT, PUSH BUTTON BREAKER	
5	CALL	1	CONTROLLER, DIGITAL	
6	14139	1	BLOCK, TERMINAL 12 POSITION 30A, 600V	
7	60062	2	SCREW, 10-32 X .750 PAN PHILLIPS, G2	
8	60061	2	NUT, 10-32 NYLOCK	
9	G063480	4	NUT HEX LOCK #8-32 NY INS	
10	29759	4	RELAY, 12V COIL 120-240 VAC RATED	
11	G092120	12	NUT LK TRIC M6X1.0 (.027-.165 GRIP) Y/Z	
12	38447B	1	BRACKET, RELAY	
13	75030	4	BREAKER, 5A, 240V 1 POLE - PUSH BUTTON	
14	112381	4	WASHER-FLAT 1/4 USS	
15	60286	4	WASHER, .250 SPLIT LOCK	
16	60335	4	SCREW, M6-1.00 X 25 STANDARD HEX - SS	
17	A0004386618	1	ST03 CONTROL BOX CVR	
18	A0000141014	1	ST03 NO RECEPTACLE PANEL	
19	37027	4	SCREW, 10-12 X .500 PAN PHILLIPS - PLASTITE	
20	A0000108467	1	STB RECEPTACLE MOUNTING BRACKET	
21	66425	1	STRAIN RELIEF, 1.25 ROMEX W/NUT	
22	14219	1	STRAIN RELIEF, .750 ROMEX W/NUT	
23	60268	5	RIVET, .188 DIAMETER X .126 TO .250 GRIP - SS	
24	62187	4	SCREW, 4-40X.500 PAN PHIL 18-8 SS	
25	0A3359	4	SCREW, M6-1.0 X 16 STANDARD HEX - SS	
26	10000031026	1	CONNECTOR, PANEL MOUNT, 7 POSITION	
27	0C5137	1	CONN DEUTSCH RECEPT BK/FLN	
28	36937	2	BREAKER, 10A DC	
29	A0000216316	1	BREAKER SLD 15A SNGL POLE PNL MNT	
30	10000031493	1	SWITCH TOGGLE SPST 20A SEALED	
31	73217	1	HORN, ALARM 6-28V DC	
32	65049	2	RELAY, 12V 30/40 N.O. W/DIODE	
33	A0000222093	1	STB CONTROL BOX DIGITAL	
34	A0000302687	1	PANEL PLUG .43 DIA. MNT .39 FLATS	(2) W/ MAN. WINCH
35	A0004405335	1	ASSEMBLY, NO RECEPTACLE	
36	A0000258626	1	DECAL CNTRL BOX DGTL	
37	A0005195258	1	ASSEMBLY, CONTROL BOX-DIGITAL-NON-INLET	
38	65798	1	PLUG, HOLE .468 X .06	
--	A0004116576	1	HARNESS, AC/DC CTRL BOX DIGITAL	

# CONTROL BOX - DIGITAL - W/ INLET AND SHORE POWER



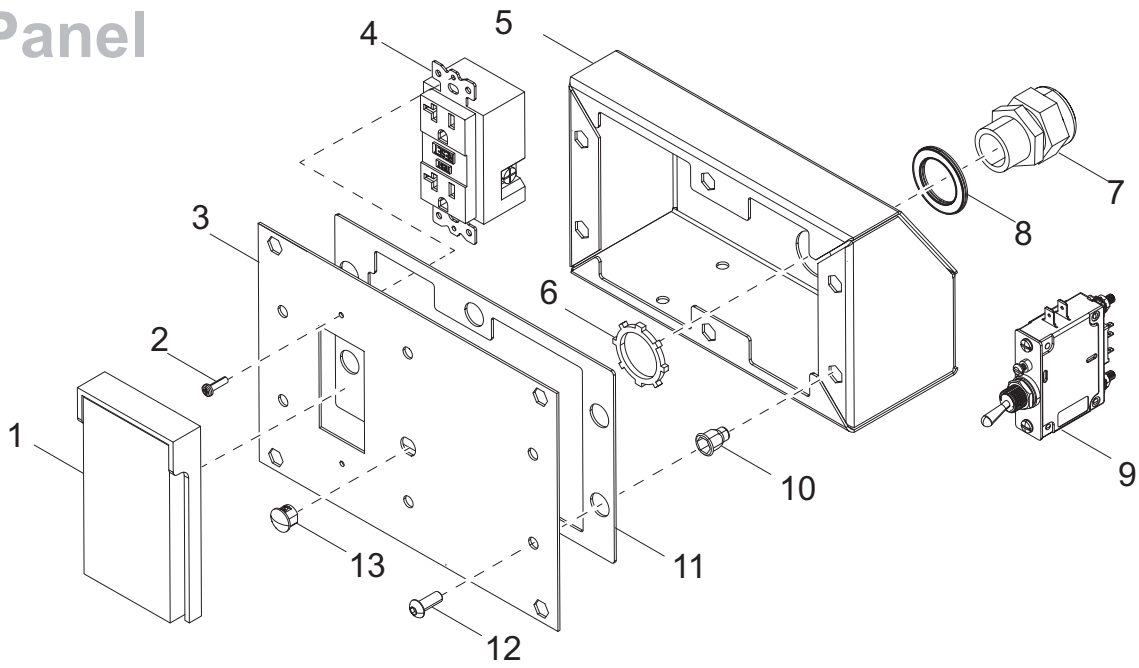
03968



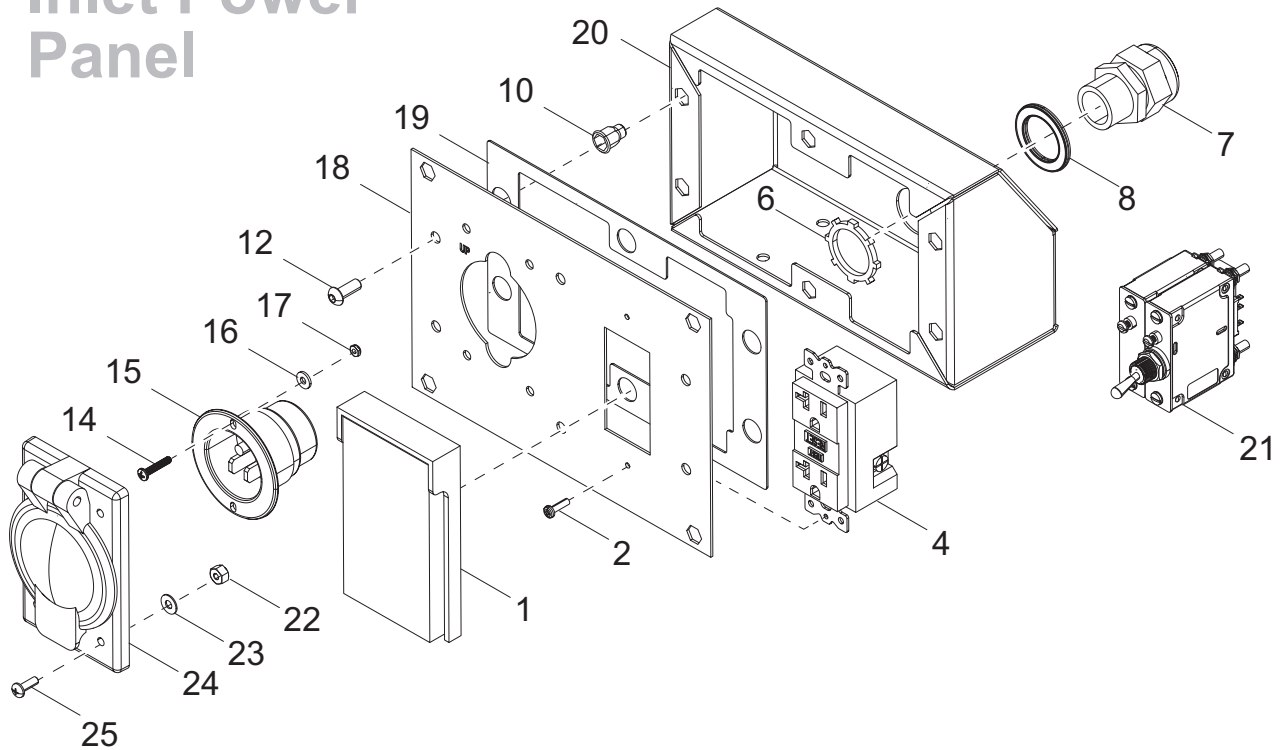
## CONTROL BOX - DIGITAL - W/ INLET AND SHORE POWER

Item	Part No.	Qty	Description	Notes
1	36886	1	METER, HOUR	
2	60289	8	WASHER, #6 FLAT	
3	62210	8	SCREW, 6-32 X .500 PAN PHILLIPS - SS	
4	36938	9	BOOT, PUSH BUTTON BREAKER	
5	CALL	1	CONTROLLER, DIGITAL	
6	14139	1	BLOCK, TERMINAL 12 POSITION 30A, 600V	
7	60061	2	NUT, 10-32 NYLOCK	
8	60062	2	SCREW, 10-32 X .750 PAN PHILLIPS, G2	
9	A00003811284	1	BRACKET, RELAY MOUNT	
10	29759	4	RELAY, 12V COIL 120-240 VAC RATED	
11	60728	8	NUT, 6-32 NYLOCK, G%	
12	62054	4	SCREW, 8-32 X .500 PAN PHILLIPS - SS	
13	G092120	8	NUT LK TRIC M6X1.0 (.027-.165 GRIP) Y/Z	
14	0L3527	2	RELAY, 12V 30/40 N.O. W/DIODE	
15	A0000419428	1	SWITCH, ROTARY 600V 20A 3 POSITION	
16	75030	5	BREAKER, 5A, 240V 1 POLE - PUSH BUTTON	
17	60243	4	WASHER, .250 FLAT .735/.060 - SS	
18	60286	4	WASHER, .250 SPLIT LOCK	
19	60335	4	SCREW, M6-1.00 X 25 STANDARD HEX - SS	
20	A0004362790	1	ST03 CONTROL BOX CVR MLTS-K INPUT POWER	
21	37027	4	SCREW, 10-12 X .500 PAN PHILLIPS	
22	A0000108467	1	BRACKET, RECEPTACLE MOUNTING	
23	66425	1	STRAIN RELIEF, 1.25 W/NUT	
24	14219	1	STRAIN RELIEF, .750 W/NUT	
25	0A3359	4	SCREW, M6-1.0 X 16 STANDARD HEX - SS	
26	60268	5	RIVET, .188 DIAMETER X .126 TO .250 GRIP - SS	
27	62187	4	SCREW, 4-40X.500 PAN PHIL 18-8 SS	
28	10000031026	1	CONNECTOR PANEL MOUNT 7 POS	
29	0C5137	1	CONNECTOR DEUTSCH RECEPT BK/FLN	
30	36935	2	BREAKER, 15A 250V 1 POLE - MECHANICAL	
31	A0004042788	1	BREAKER 15A 2-POLE IULNK12-1REC4-40175-4	
32	73217	1	HORN, ALARM 6-28V DC	
33	10000031493	1	SWITCH, TOGGLE SPDT SPRING - WEATHER- PROOF	W/ ELEC. WINCH
34	A0000380936	1	STB CONTROL BOX DIGITAL MLTS INPUT POWER	
35	A0000302687	1	PANEL PLUG .43 DIA. MNT .39 FLATS	
36	65798	1	PLUG, HOLE .468 X .06	
37	36944	1	GASKET HOUR METER	
38	A0000426151	1	DECAL CNTRL BOX DGTL INPUT POWER	
39	A0005195274	1	ASSY-CONTROL BOX-ANALOG-120V INLET	
40	A0005195268	1	ASSY-RECEPTACLE-120V INLET-15A MLCB	
--	A0004116576	1	HARN INPUT SWITCH NO RCB MLTS	
--	A0004149416	1	HARN INPUT SWITCH NO RCB MLTS	

# Shore Power Panel



# Inlet Power Panel

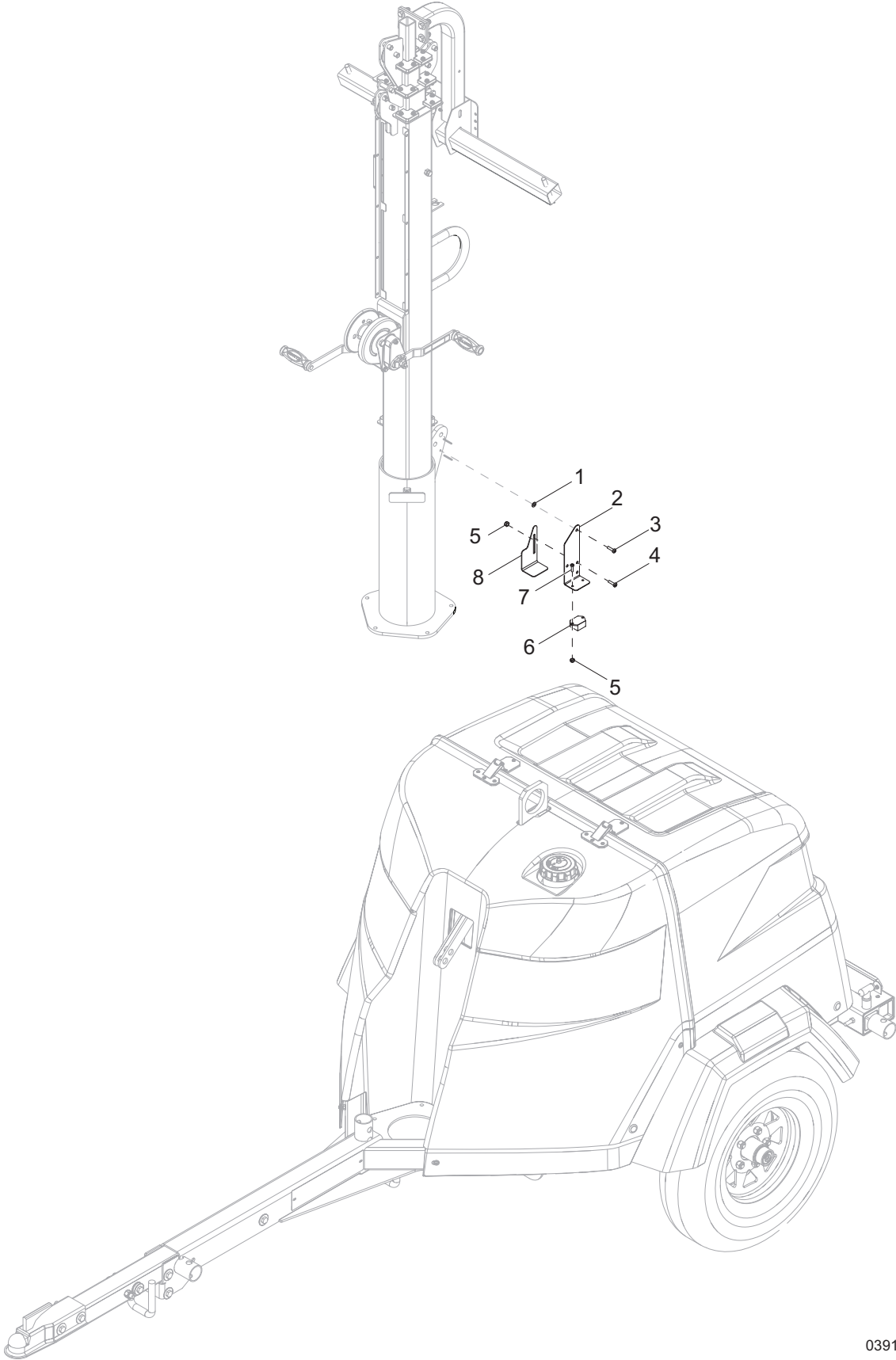


03969

## POWER PANEL OPTIONS

Item	Part No.	Qty	Description	Notes
1	37017	1	COVER, RECEPTACLE 20A GFI - WEATHER-PROOF	
2	62210	2	SCREW, 6-32 X .50 PAN PHILLIPS - SS	
3	A0000139165	1	STB RECEPT MOUNT PLATE 120V WITH BRKER	
4	14130	1	RECEPTACLE, 120V/20A GFI	
5	A0000144231	1	STB RECEPTACLE BOX	
6	16300	1	NUT, SPECIAL, .750 NPT LOCK (LN202)	
7	14656	1	STRAIN RLF, .75 NPT .545/.709 ID	
8	15698	1	WASHER, RUBBER SEALING .750NPT	
9	A0000216316	1	BREAKER SLD 15A SNGL POLE PNL MNT	IN CONTROL BOX
10	G092120	6	NUT LOCK TRIC M6 X 1.0 Y/ZNC	
11	A0000142340	1	GASKET RECEPTACLE BOX	
12	0A3359	6	SCREW BHSC M6-1.0 X 16 SS	
13	A0000302687	1	PANEL PLUG .43 DIA. MNT .39 FLATS	
14	60046	2	SCREW, 6-32X.750 PAN PHIL G2	
15	65285	1	RECEPTACLE 120V/15A INLET(5-15P)	
16	60289	2	WASHER, #6 FLAT	
17	60728	2	NUT, 6-32 NYLK G5	
18	A0004036832	1	STB RECEPT MNT PLATE 120V INLET PWR	
19	A0000415963	1	GASKET RECEPTACLE BOX MLTS INPUT POWER	
20	A0000415824	1	STB RECEPTACLE BOX MLTS INPUT POWER	
21	A0004042788	1	BREAKER 15A 2-POLE IULNK12-1REC4-40175-4	IN CONTROL BOX
22	G063480	4	NUT HEX LOCK #8-32 NY INS	
23	60269	4	WASHER, #8 FLAT .433/.036	
24	A0004036472	1	COVER RECEPTACLE W/ HOLES 20/30A	
25	G036918	4	SCREW PPHM #8-32 X 1/2	

**NIGHT WATCHMAN ASSEMBLY (IF EQUIPPED)**

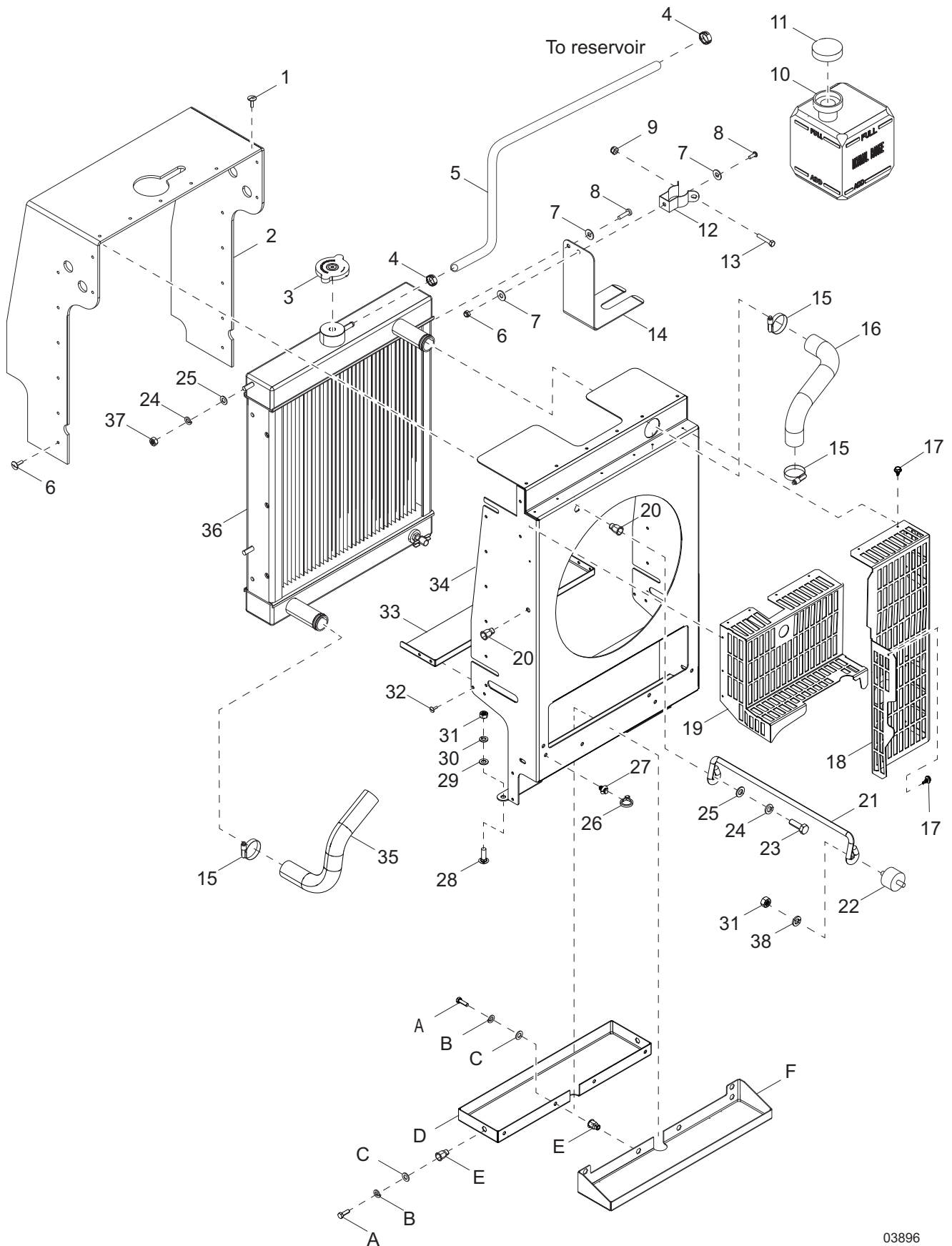


03912

## NIGHT WATCHMAN ASSEMBLY (IF EQUIPPED)

Item	Part No.	Qty	Description	Notes
1	60237	4	WASHER, #10 FLAT .495/.036 ZC SAE	
2	70208B	1	BRACKET, NIGHT WATCHMAN	
3	G036937	2	SCREW PPHM #10-32 X 1	
4	62054	2	SCREW, 8-32X.500 PAN PHIL 18-8 SS	
5	60270	4	NUT, 8-32 NYLOCK	
6	68763	1	ASSEMBLY, NIGHT WATCHMAN	
7	60488	2	SCREW, 10-32 X .750 PAN PHILLIPS, G2	
8	56610B	1	COVER, DUSK TO DAWN SENSOR	
-	A0000222780	1	HARNESS NIGHT WATCHMAN DIGITAL CONTROL	

# COOLING SYSTEM ASSEMBLY



03896

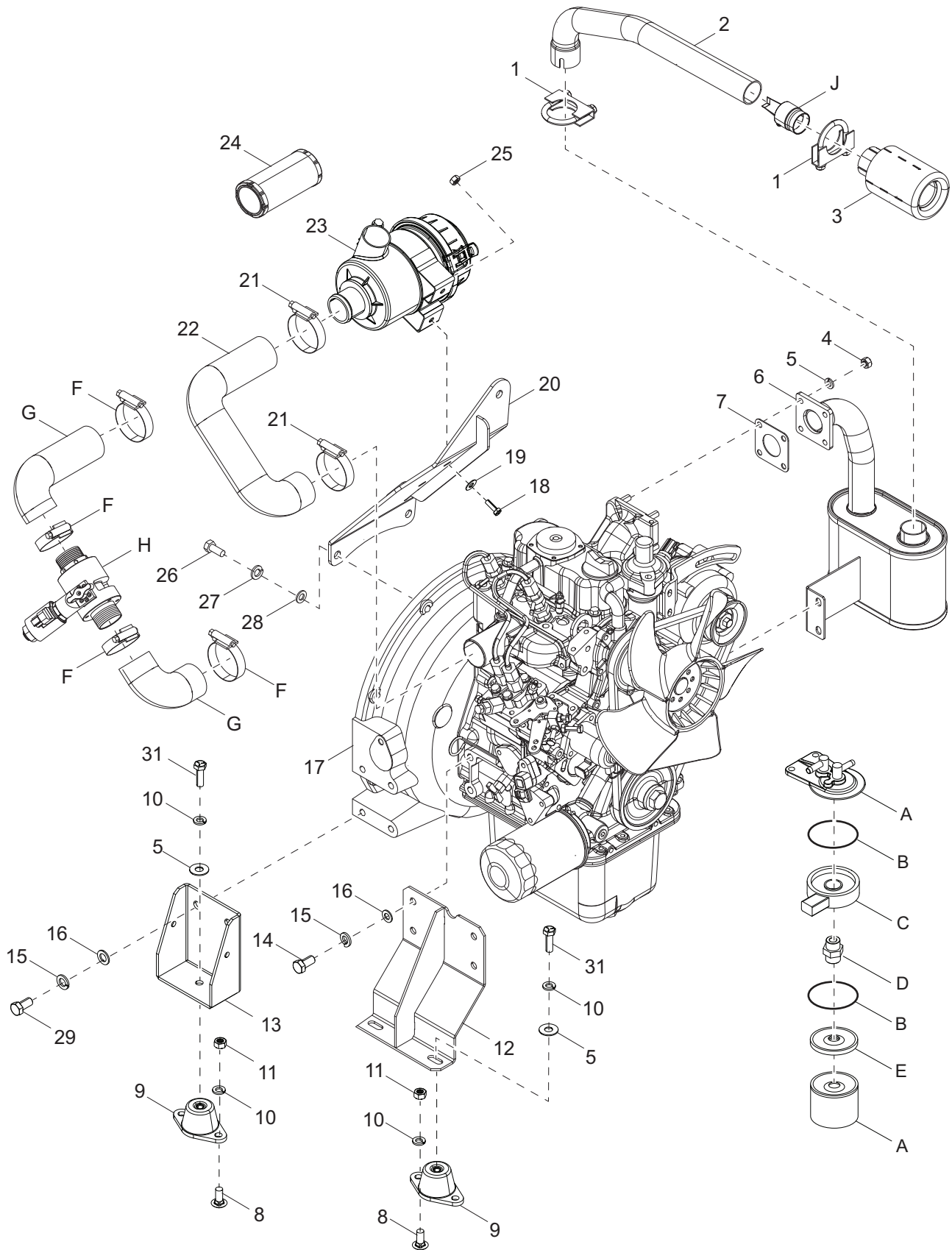
## COOLING SYSTEM ASSEMBLY

Item	Part No.	Qty	Description	Notes
1	60195	21	RIVET, .188 X .375 TO .500 GRIP	
2	A0000077707	1	SEAL, COOLING - RUBBER	
3	19219	1	CAP, RADIATOR	
4	60777	2	CLAMP, HOSE .312 FUEL - CRIMP STYLE	
5	50018	3.0 ft	HOSE, FUEL .312ID 50PSI SAE 30R7	
6	60061	2	NUT, 10-32 NYLOCK	
7	60067	4	WASHER, #10 FLAT .435/.060 - SS	
8	61180	2	SCREW, 10-32 X .750 PAN PHILLIPS - SS	
9	60144	1	NUT, .250-20 NYLOCK, G5	
10	20287	1	JUG, OVERFLOW	
11	19714	1	CAP, OVERFLOW BOTTLE	
12	19726	1	CLAMP, OVERFLOW BOTTLE	
13	60414	1	SCREW, .250-20 X 1.50 STANDARD HEX, G5	
14	22419B	1	BRACKET, OVER FLOW JUG SUPPORT	
15	15422	4	CLAMP, HOSE SAE 020 (.75-1.75)	
16	A0003996760	1	HOSE, UPPER RADIATOR	
17	60364	7	SCREW, 10-16 X .500 STD HEX, G2 SELF-DRILL	
18	A0004012018	1	GUARD, FAN RH	
19	A0004012440	1	GUARD, FAN LH	
20	0H5513	2	NUT, M8 X 1.25 LOCK	
21	A0000301146	1	ROD, RADIATOR STAY	
22	34052	1	ISOLATOR	
23	60049	2	SCREW, M8-1.25 X 25 STANDARD HEX, G8.8	
24	60029	5	WASHER, M5 SPLIT LOCK	
25	60166	7	WASHER, M8 FLAT	
26	15630	2	CABLE TIE, 6.13 X .141 - BLACK	
27	66685	2	MOUNT, CABLE TIE .250 -280 DIA .031 -.270 GRIP	
28	61066	4	SCREW, .312-18 X 1.00 CARRIAGE BOLT	
29	60166	4	WASHER, M8 FLAT	
30	60271	4	WASHER, .312 SPLIT LOCK	
31	60285	5	NUT, .312-18 HEX, G2	
32	60268	8	RIVET, .188 X .126 TO .250 GRIP - SS	
33	A0000080671	1	BLOCK-OFF, RADIATOR	
34	A0004013178	1	UPRIGHT, RADIATOR	
35	A0001767187	1	HOSE, RADIATOR - LOWER	
36	A0000335661	1	RADIATOR	
37	60032	5	NUT, M8-1.25 HEX, G8.8	
38	G022129	1	WASHER LOCK M8-5/16	

*Coolant Containment (If equipped):*

A	042568	6	SCREW, M6-1.0 X 20 HHC, G8.8
B	38522	6	WASHER, M6-.250 SPLIT LOCK
C	049811	2	WASHER, M6 FLAT
D	10000047855	1	CONTAINMENT, FRONT
E	G092120	8	INSERT,
F	10000047759	1	CONTAINMENT, REAR

# ENGINE ASSEMBLY



03970



## ENGINE ASSEMBLY

Item	Part No.	Qty	Description	Notes
1	68082	2	CLAMP, MUFFLER 1.63	
2	A0000284243	1	WELDMENT, SIDE EXHAUST	
3	10000021954	1	TIP, EXHAUST	
4	62079	1	NUT, .312-18 NYLOCK	
5	60119	1	WASHER, .312 FLAT	
6	10000047042	1	WELDMENT, MUFFLER	
7	11042SRV	1	GASKET, MUFFLER	
8	61214	8	SCREW, .312-18 X .750 CARRIAGE SQUARE - SS	
9	A0003954127	4	ISOLATOR COMP 1.25" 120LB GREEN	(6) W/NO EXPORT
10	G022129	8	WASHER LOCK M8-5/16	
11	60285	8	NUT, .312-18 HEX GRADE 2 ZC	
12	A0003877184	2	ST03 ENGINE FOOT MLTS-Z482 WIDE	
13	A0003959031	2	ST03 ENGINE FOOT REAR	W/NO EXPORT
14	G052213	8	SCREW HHC M10-1.25 X 20 C8.8	
15	G046526	12	WASHER LOCK M10	
16	G070264	12	WASHER FLAT M10	
17	A0001521461	1	ENGINE KUBOTA Z482-E4BG-MGM-1 TIER 4	
18	60616	2	SCREW, .312-18X.750 SFLG HEX G5	
19	G058653	4	WASHER FLAT M8	
20	A0003819740	1	ST03 WLDMNT BRACKET AC CLEANER MLTS-K	
21	60316	2	CLAMP, HOSE SAE 032 (1.56-2.50)	
22	A0003926876	1	HOSE AIR CLEANER MLTS-K	
23	10000035428	1	ELEMENT, AIR FILTER	
24	10000021718	1	FILTER, AIR W/BRACKET	
25	60095	2	NUT, .312-18 SFLG	
26	0K6999	2	SCREW HHC 3/8-16 X 1 1/4 G5	
27	G022237	2	WASHER LOCK 3/8	
28	60027	2	WASHER, M10 FLAT	
29	G044831	4	SCREW HHC 3/8-16 X 3/4 G	
30	A0003959031	2	ST03 ENGINE FOOT REAR	NO EXPORT ONLY
31	60028	6	SCREW, .312-18X1.000 STD HEX G5	

*Cold Weather Option (If equipped):*

A	A0003466535	1	FUEL FILTER KUB Z482	
B	13834	2	GASKET, HEATED FUEL FILTER	
C	13682	1	HEATER FUEL FILTER	
D	A0004372098	1	ADAPTER FUEL FILTER HTR M20-F X M20-M	
E	A0004383032	1	PLATE FUEL HEATER ADPATER KUBOTA	
--	A0003892201	1	BLOCK COOLANT HEATER	
--	A0002098574	1	HARN DC FFH GLT	

*Positive Air Shutdown (If equipped):*

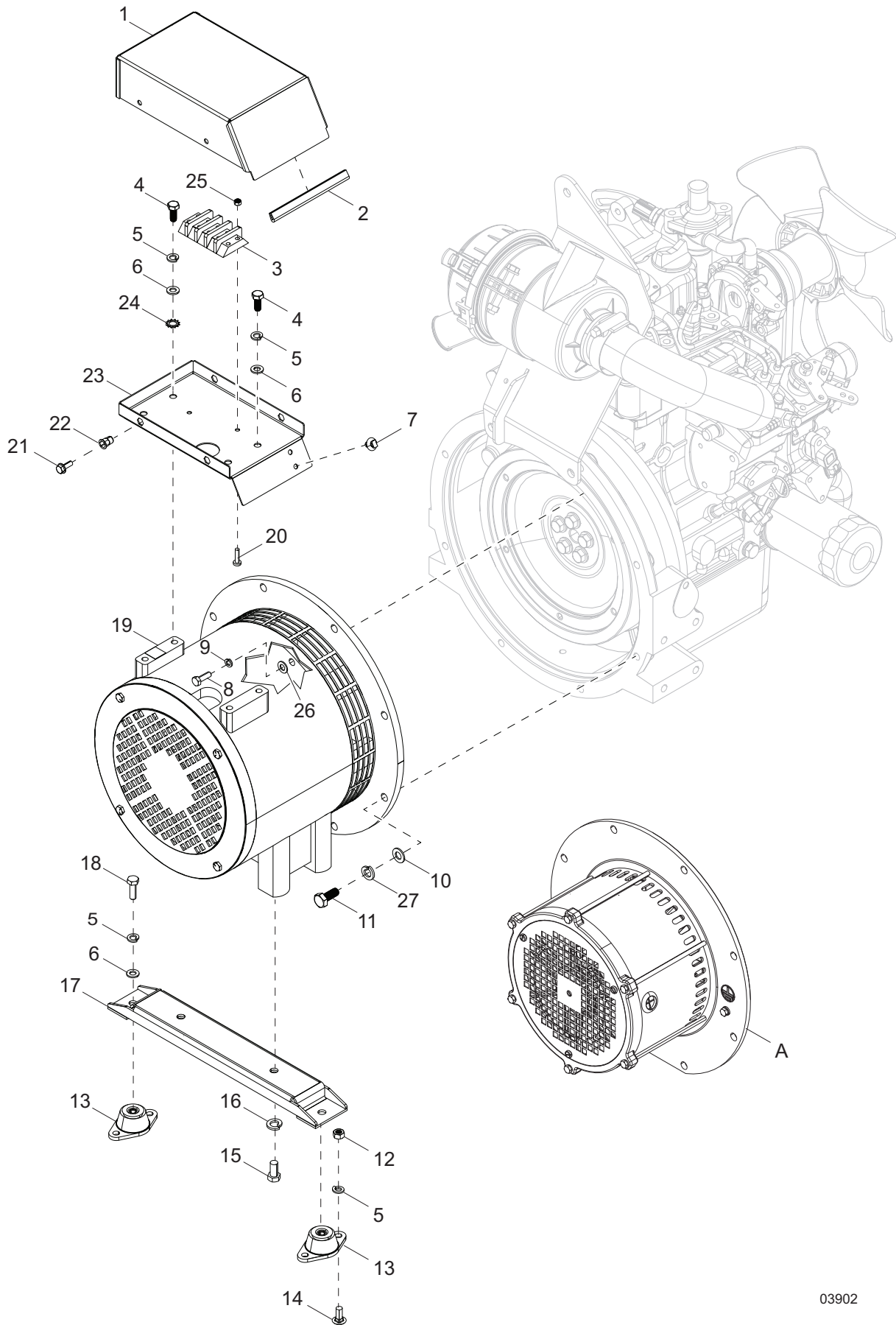
F	60316	2	CLAMP, HOSE - SAE 032 (1.56-2.50)	
G	A0003926876	1	HOSE AIR CLEANER	CUT HOSE 1/2
H	A0004946926	1	VALVE PAS 1.75"	
--	A0004946926	1	CONTROLLER, 12V PAS	
--	A0004976928	1	ST03 BRACKET PAS CNTRLR	

*Spark Arrestor (If equipped):*

J	A0005268609	1	SPARK ARRESTOR 1.5" TUBE)	
---	-------------	---	---------------------------	--

**Note:** Engine parts used in all Generac Mobile Products, LLC equipment carry the Original Equipment Manufacturer (OEM) warranty unless otherwise stated. OEM warranty parts must be purchased through an OEM dealer. Please contact Generac Mobile Products, LLC with questions

# GENERATOR



03902

## GENERATOR

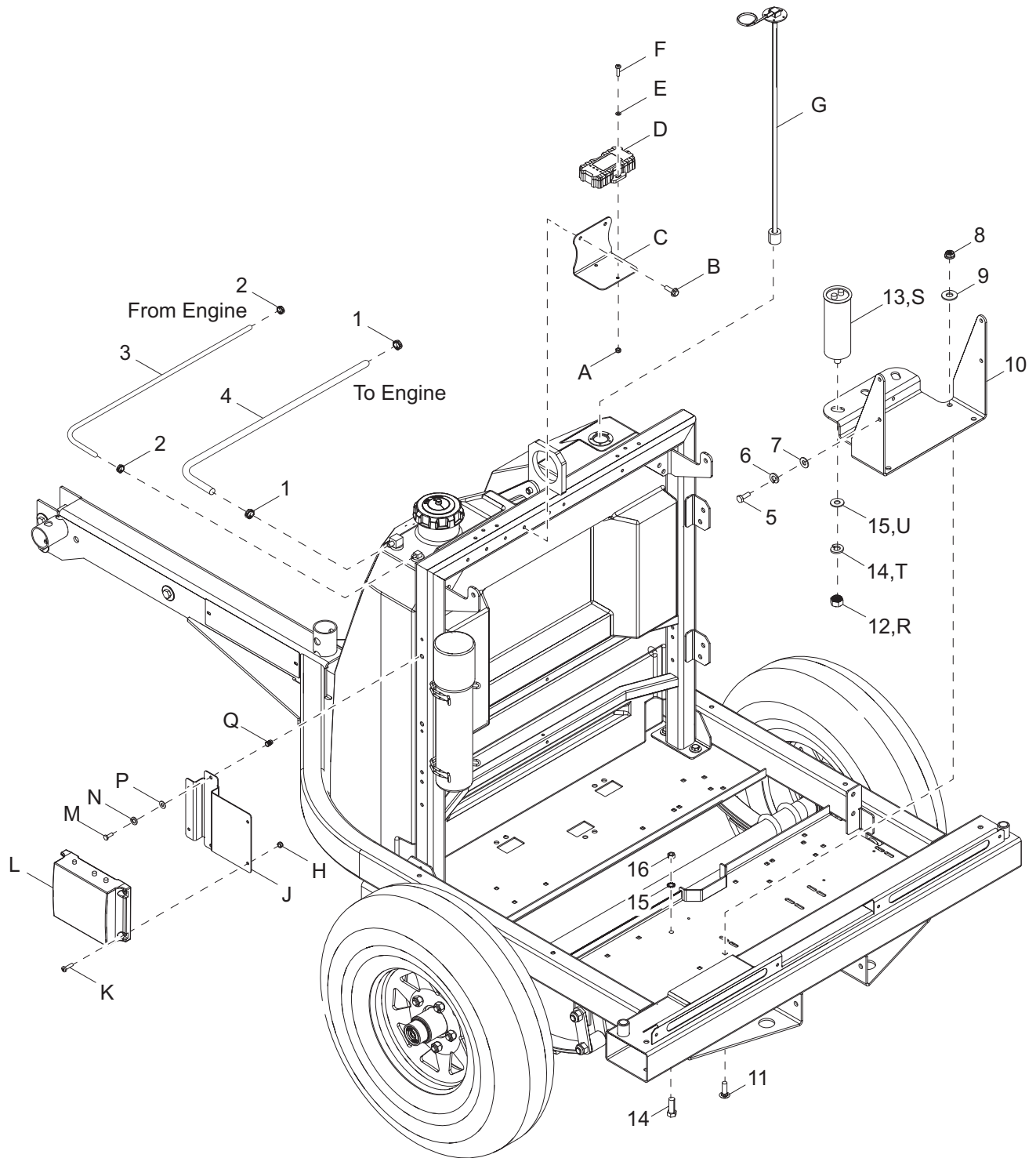
Item	Part No.	Qty	Description	Notes
1	A0000136600	1	COVER, ALTERNATOR JUNCTION BOX	
2	19351	.42 ft	SEAL, U-CHANNEL	
3	66694	1	BLOCK, TERMINAL 3-POSITION	
4	61082	4	SCREW, M8-1.25 X 20 STANDARD HEX	
5	60029	10	WASHER, M8 SPLIT LOCK	
6	60031	6	WASHER, M8 FLAT	
7	66685	2	MOUNT, CABLE TIE .25-.28 DIA .031-.27 GRIP	
8	72162	6	SCREW, M8-1.25 X 20 BUTTON HEX, G10.9	
9	G022129	6	WASHER LOCK M8-5/16	
10	60422	8	SCREW, M10-1.25 X 25 STANDARD HEX, G8.8	
11	60027	8	WASHER, M10 FLAT	
12	60412	4	NUT, .312-18 HEX, G5	
13	A0003954127	2	ISOLATOR COMP 1.25" 120LB GREEN	
14	61214	4	SCREW, .312-18 X .750 CARRIAGE SQUARE - SS	
15	60052	2	SCREW, .375-16 X .750 STANDARD HEX, G5	
16	60206	2	WASHER, .375 SPLIT LOCK	
17	A0003963377	1	BRACKET, ALTERNATOR MOUNT	
18	60049	2	SCREW, M8-1.25 X 25 STANDARD HEX, G8.8	
19	10000020581	1	GENERATOR, MARATHON 6KW, 60HZ CAP	EXPORT/SHORE
20	10000022910	2	SCREW, M5 .80 X 20 PAN PHILLIPS, G4.8	
21	0K6999	4	SCREW, M6-1.00 X 16 SER. FLG. HEX, G8.8	
22	A0000181267	4	NUT, M6 X 1.00 HEX - INSERT	
23	A0000136599	1	BRACKET, ALTERNATOR JUNCTION BOX	
24	60747	1	WASHER, .375 INTERNAL STAR	
25	60038	2	NUT, M5-.80 NYLOCK	
26	60166	6	WASHER, M8 FLAT	
27	G046526	8	WASHER LOCK M10	
--	A0000146736	1	HARNESS, GENERATOR TO CONTROL 6KW	

**1.4KW Generator (If equipped):**

A	10000044412	1	GENERATOR MARATHON1.4KW 60HZ CAP	NO-EXPORT
---	-------------	---	----------------------------------	-----------

**Note:** Generator parts used in all Generac Mobile Products, LLC equipment carry the Original Equipment Manufacturer (OEM) warranty unless otherwise stated. OEM warranty parts must be purchased through an OEM dealer. Please contact Generac Mobile Products, LLC with questions.

# COMPONENTS TO TRAILER ASSEMBLY (1 OF 2)



00000

## COMPONENTS TO TRAILER ASSEMBLY (1 OF 2)

Item	Part No.	Qty	Description	Notes
1	60788	2	CLAMP, HOSE .188 - CRIMP STYLE	
2	60777	2	CLAMP, HOSE .312 - CRIMP STYLE	
3	14211	4.25 ft	HOSE, FUEL .188ID, 50 PSI - SAE 30R7	
4	50018	3.33 ft	HOSE, FUEL .312ID, 50 PSI - SAE 30R7	
5	60647	4	SCREW, .250-20 X .500 STANDARD HEX, G5	
6	60286	4	WASHER, .250 SPLIT LOCK	
7	60243	4	WASHER, .250 FLAT	
8	60095	4	NUT, .312-18 SERRATED FLANGE	
9	60119	4	WASHER, .312 FLAT .875/.070	
10	A0000093872	1	BRACKET, CONTROL BOX MOUNTING	
11	61066	4	SCREW, .312-18 X 1.00 CARRIAGE SQUARE - SS	
12	60148	1	NUT, M12-1.75 SERRATED FLANGE, G8.8	
13	36980	1	CAPACITOR, 25UF 5% 440VAC	
14	60140	1	NUT, .375-16 HEX G5	
15	60747	1	WASHER, .375 INT STAR	
16	60334	1	SCREW, .375-16X1.000 STD HEX G5	

*Telemetry (If equipped):*

A	60061	2	NUT, 10-32 NYLOCK	
B	68429	2	SCREW, .312-18 X .750 FLANGED HEX, G2 SELF-TAPPING	
C	51002B	1	BRACKET, TELEMETRY	
D	A0000429583	1	TELEMETRY, ZTR - M6H	
E	60237	2	WASHER, #10 FLAT .495/.036	
F	60062	2	SCREW, 10-32 X .750 PAN PHILLIPS, G2	
G	68821	1	MLT6S FUEL SENDING UNIT ASSEMBLY	
--	A0000315030	1	HARNESS ZTR WITH FUEL LEVEL MLTS	

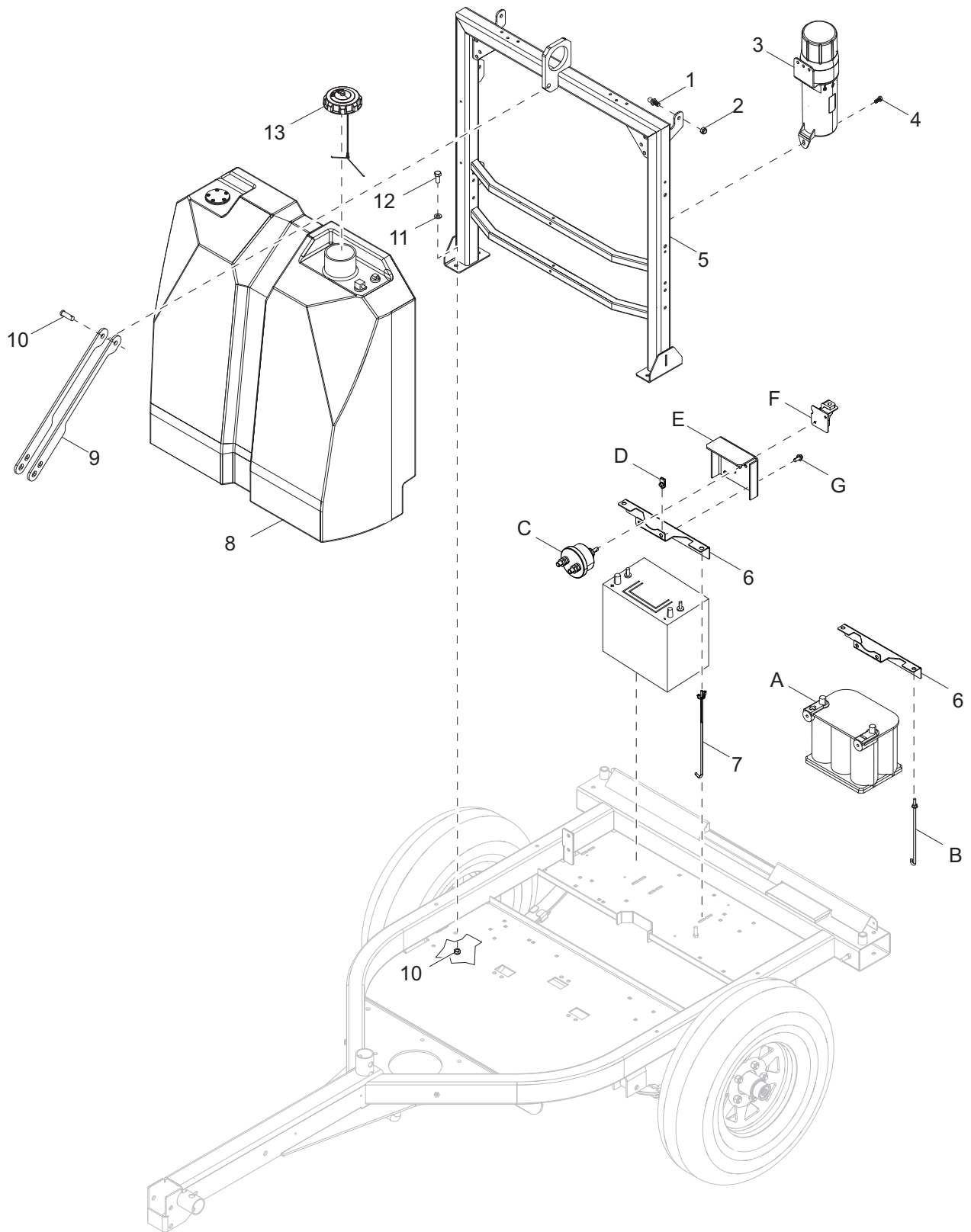
*Battery Charger (If equipped):*

H	60415	4	NUT, 10-32 NYLOCK	
J	73218B	1	BRACKET, BATTERY CHARGER	
K	60062	4	SCREW, 10-32 X .750 PAN PHILLIPS, G2	
L	66212	1	CHARGER, BATTERY 2-5A/1-10A, 3 STAGE, 2 OUTPUT	
M	60281	2	SCREW, .250-20 X .750 HEX, G5	
N	60286	2	WASHER, .250 SPLIT LOCK	
P	60243	2	WASHER, .250 FLAT .735/.060	
Q	63132	2	INSERT, .250-20 SPLINED .027-.165 GRIP - THREADED	
--	68836	1	HARNESS, 12V, DC CHARGER	

*1.4KW Generator (If equipped):*

R	G045771	1	NUT HEX M8-1.25 G8	
S	A0000243987	1	CAPACITOR 12.5UF	
T	60029	1	WASHER, M8 SPLIT LOCK ZC	
U	60166	1	WASHER, M8 FLAT ZB DIN125 HARDENED TP200	

# COMPONENTS TO TRAILER ASSEMBLY (2 OF 2)



03971

## COMPONENTS TO TRAILER ASSEMBLY (2 OF 2)

Item	Part No.	Qty	Description	Notes
1	35293	2	BALL STUD, 10MM, .313-18	
2	60303	4	NUT, .312-18 NYLOCK, G2	
3	36988	1	MANUAL HOLDER, 4 IN DIA. BLACK FOOT MTG	
4	60168	2	SCREW, .312-18X.750 STD HEX G5 ZC	
5	10000023283	1	WELDMENT, LIFT SUPPORT	
6	A0002455939	1	ANGLE, BATTERY HOLD-DOWN	
7	14146	2	BOLT, J, .250-20 X 10.0	
8	A0000567279	1	TANK, FUEL - 42 GALLON W/SENDING UNIT	
9	39660B	2	BAR, CHASSIS SUPPORT	
10	63325	1	PIN, CLEVIS - .500 DIAMETER. X 1.063 UL, ZP	
11	60386	4	WASHER, .375 FLAT .993-.064	
12	60352	4	SCREW, .375-16 X 1.250 STANDARD HEX, G5	
13	16326	1	CAP, FUEL, 3.5 DIA., DIESEL, VENT W/TETHER	
--	15074	1	CABLE, BATTERY 4 GAUGE - RED	
--	A0004157385	1	CABLE, BATTERY 4 GAUGE - BLACK	
--	66100	6	CONNECTOR, 2 POSITION	

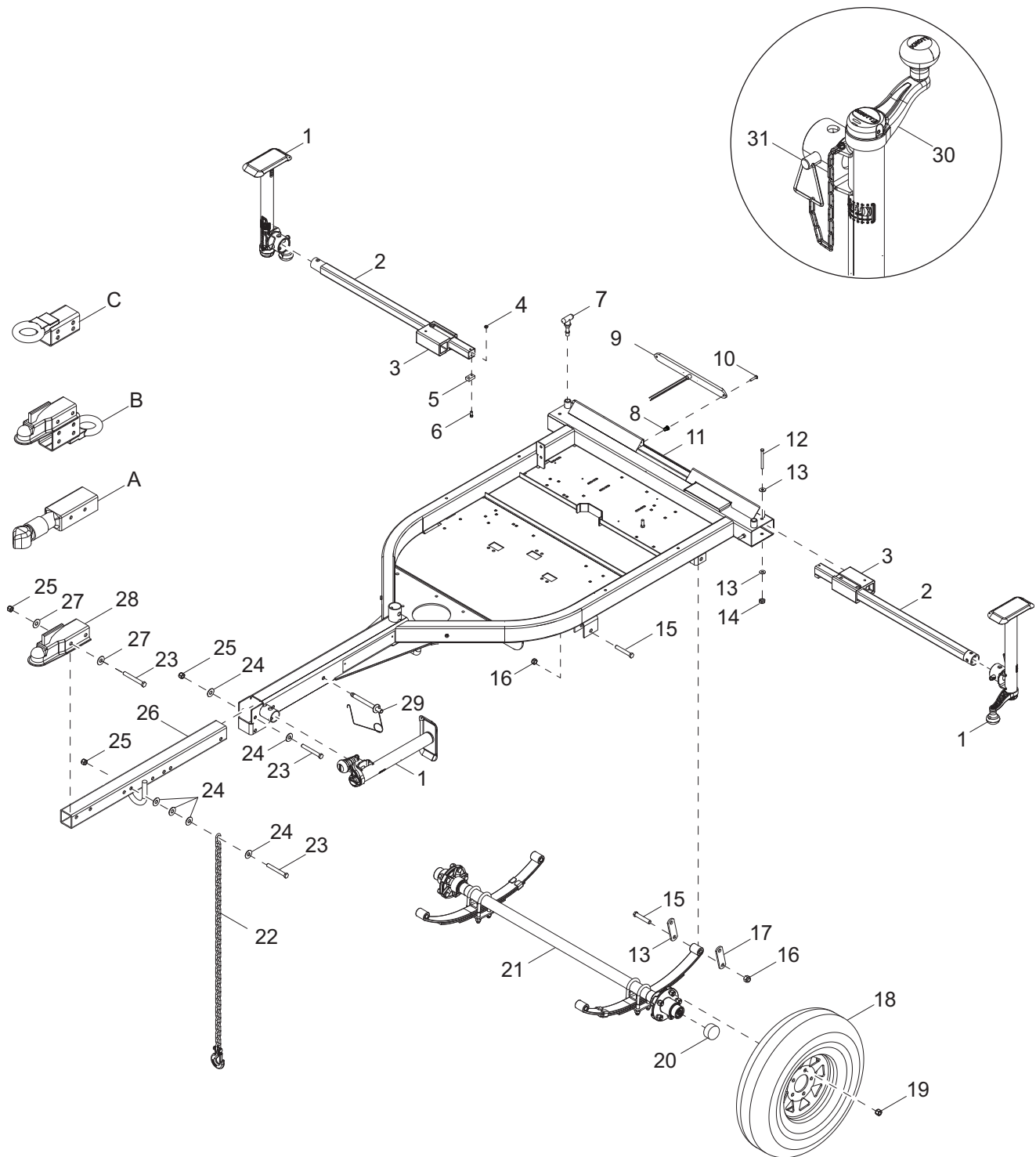
*Cold Weather Battery (If equipped):*

A	65358	1	BATT 12V GRP75/25 720CCA AGM DUAL POST
B	60820	2	BOLT, J - .250-20 X 9.00 ZP

*Battery Disconnect (If equipped):*

C	65498	1	SWITCH, DISCONNECT
D	61143	2	NUT, .250-20 UCLIP PO SHORT TYPE
E	A0001292357	1	STB WELDMENT BATT DISC
F	65498	1	SWITCH LOCKOUT LEVER KIT
G	60175	2	SCREW, .250-20X.500 SFLG HEX G5

# TRAILER ASSEMBLY



02890



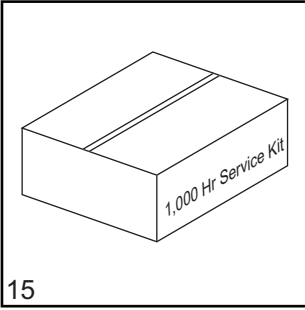
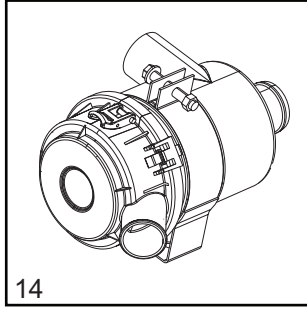
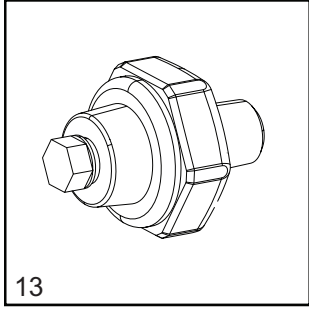
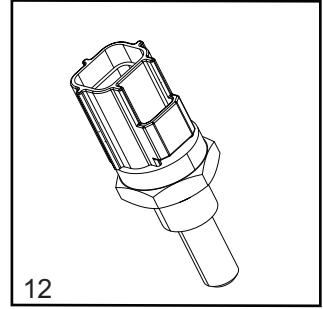
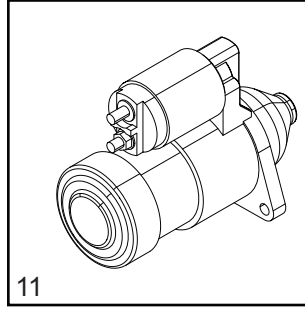
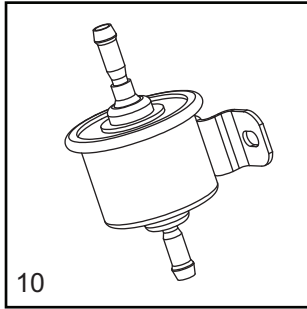
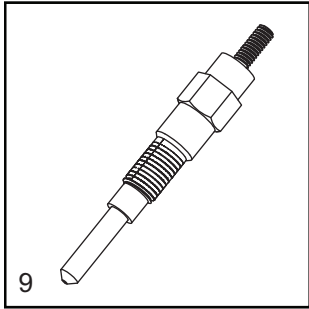
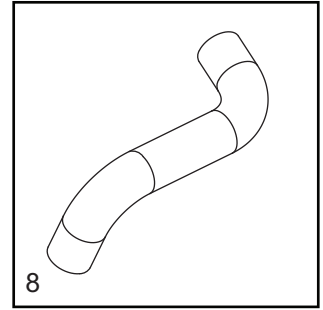
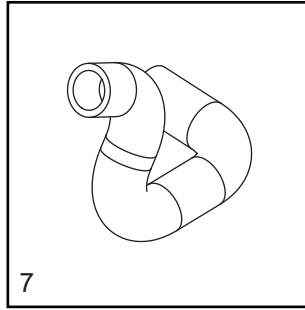
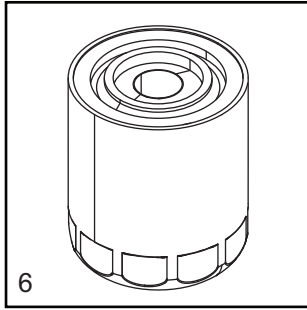
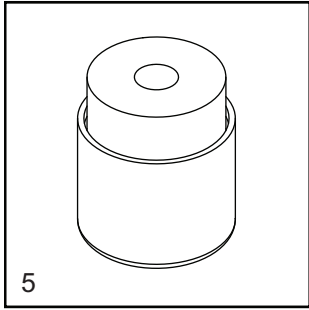
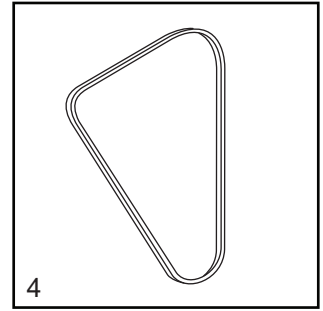
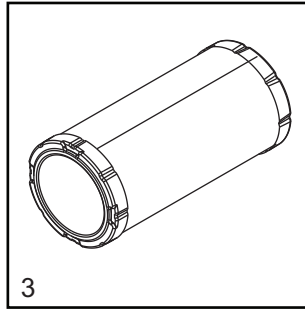
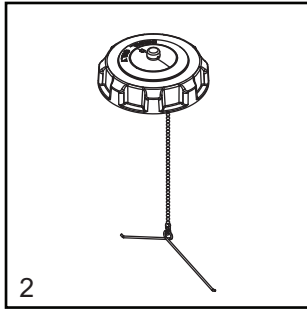
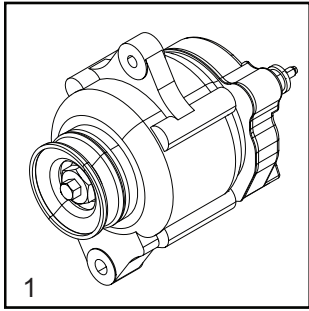
## TRAILER ASSEMBLY

Item	Part No.	Qty	Description	Notes
1	72126	3	JACK, TOP WIND - 1200 LB, TUBE MOUNTED	
2	70230ZY	2	WELDMENT, OUTRIGGER TUBE	
3	36869	2	GUIDE BLOCK (MOLDED) - OUTRIGGER	
4	60144	4	NUT, .250-20 NYLOCK, G5	
5	72128	2	PAD/STOP, WEAR - OUTRIGGER	
6	73196	4	SCREW, .250-20 X 2.25 SOCKET HEAD	
7	36890	3	SPRING PIN, HANDLE	
8	73092	4	INSERT, #8-32 .020-.080 GRIP - CLOSE SEALED	
9	36960	2	ASSEMBLY, TAIL LIGHT	
10	60694	4	SCREW, 8-32 X .750 PAN PHILLIPS	
11	10000021817	1	WELDMENT, LT CHASSIS	
12	60404	2	SCREW, .312-18 X 4.00 STANDARD HEX, G5	
13	60119	4	WASHER, .312 FLAT .875/.070	
14	60303	2	NUT, .312-18, NYLOCK, G2	
15	60503	6	SCREW, SHACKLE, .562-18 X 3.00 STANDARD HEX, G5	
16	60504	6	NUT, .562-18 LOCK HEX, G5	
17	19637	4	PLATE, SHACKLE BRACKET - 3.125"	
18	15976B	2	WHEEL, ST175/8013 - 1360 LB	
19	60096	10	NUT, .500-20 LUG, G5	
20	11253	2	CAP, DUST	
21	34760	1	AXLE, 2200LB 47TC 35SC	
22	23367	2	CHAIN, SAFETY - 7800 LBS RATED	
23	50215	5	SCREW, .500-13 X 4.00 STANDARD HEX, G5	
24	60416	10	WASHER, .500 FLAT 1.375/.090	
25	62221	5	NUT, .500-13 NYLOCK, G5	
26	17969B	1	WELDMENT, TILT TONGUE	
27	60309	4	WASHER, .500 FLAT 1.060/.090	
28	16830	1	COUPLER, 2.00 BALL/2.50 CHANNEL	
29	33943	2	PIN, LOCKING .500 X 3.50	
30	37155	1	HANDLE, JACK - TOP WIND	
31	39658	1	KIT, JACK PIN - BALL DETENT	
--	68348	1	HARNESS, TRAILER WIRING, TANDEM TOW	
--	68324	1	HARNESS, TRAILER ENCLOSURE FRONT	
--	10000020727	1	ASSEMBLY, HARNESS EXTENSION LOOMED	

*Hitch Options (If equipped):*

A	13003B	1	COUPLER, 2.00 BALL/3.00 CHANNEL, BULLDOG
B	34792ZC	1	WELDMENT, COMBINATION HITCH - 2.50 TONGUE
C	16835B	1	WELDMENT, LUNETTE RING 3.00 ID - 2.50 TONGUE
--	A0004405340	1	ADAPTER, 4 PIN FLAT TO 4 PIN FLAT X 12.00

# RECOMMENDED SPARE PARTS - ENGINE AND SERVICE KITS



## RECOMMENDED SPARE PARTS - ENGINE AND SERVICE KITS

---

### ENGINE

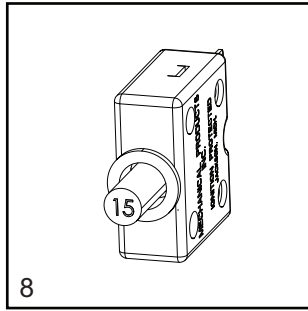
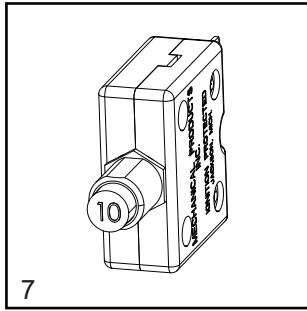
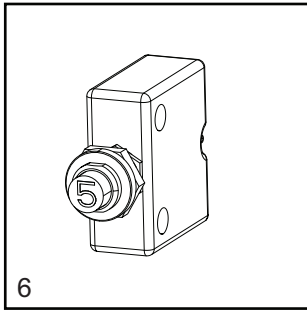
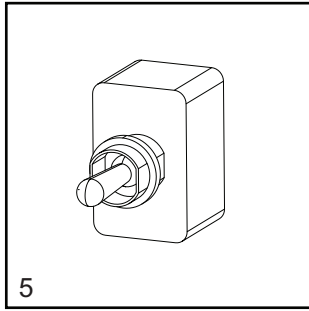
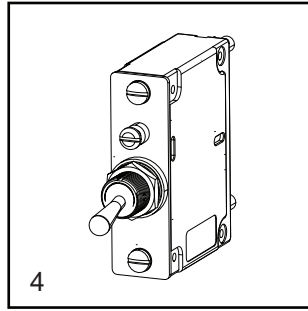
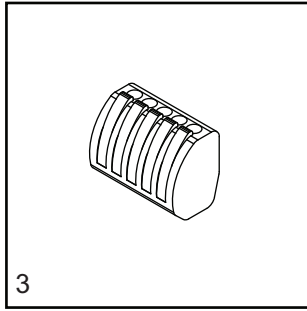
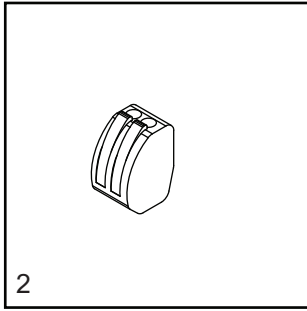
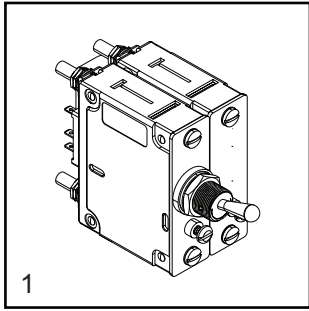
1. ALTERNATOR .....	12486
2. CAP, FUEL TANK WITH LANYARD .....	16326
3. FILTER, AIR (ELEMENT) .....	10000035428
4. FAN BELT .....	A0003448381
5. FILTER, FUEL .....	A0003466535
6. FILTER, OIL .....	A0000491543
7. HOSE, RADIATOR - LOWER .....	A0001767187
8. HOSE, RADIATOR - UPPER .....	A0003996760
9. ELEMENT, GLOW PLUG .....	13238
10. PUMP, FUEL .....	13278SRV
11. STARTER .....	A0003448374
12. SWITCH, COOLANT TEMPERATURE .....	A0003448375
13. SWITCH, OIL PRESSURE .....	15375
14. FILTER AIR WITH BRACKET .....	10000021718

### SERVICE KITS

15. 1,000 HOUR KIT .....	A0004233163
--------------------------	-------------

INCLUDES: AIR FILTER ELEMENT 10000035428, FUEL FILTER ELEMENT A0003466535  
AND OIL FILTER A0000491543

# RECOMMENDED SPARE PARTS - ELECTRICAL



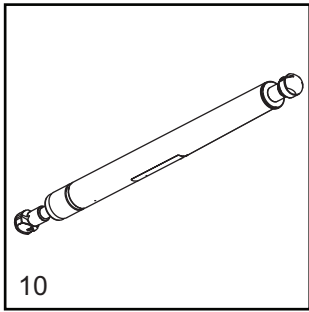
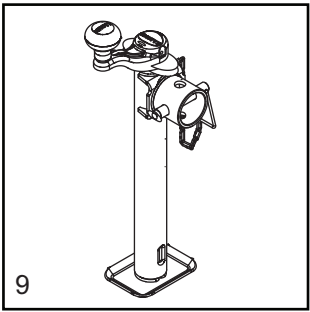
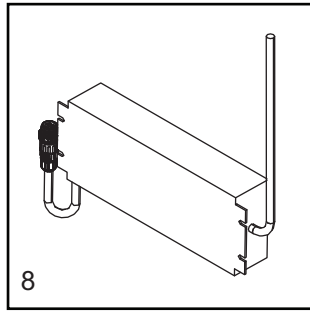
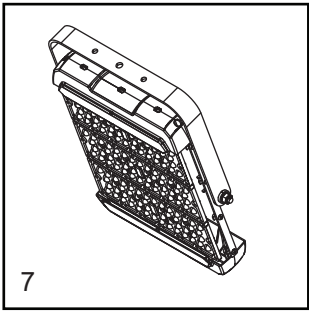
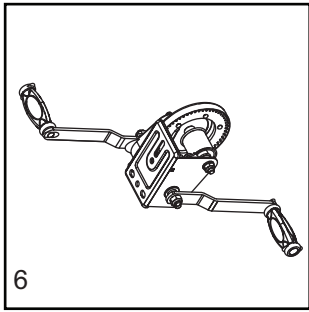
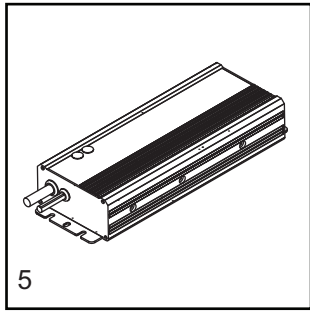
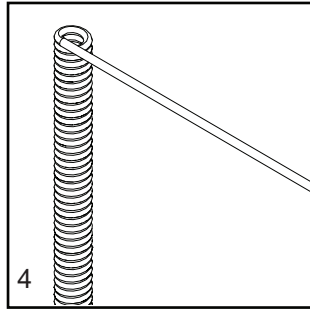
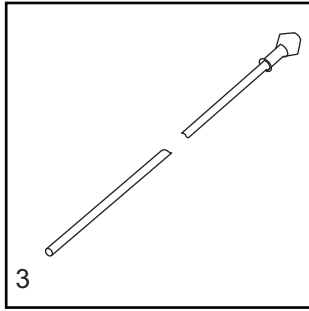
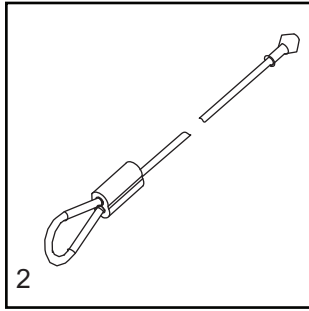
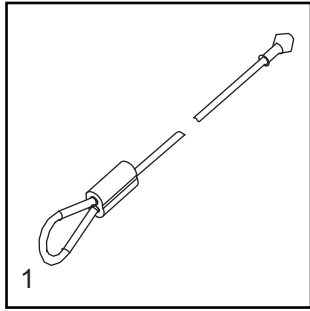
## RECOMMENDED SPARE PARTS - ELECTRICAL

---

### ELECTRICAL

1. BREAKER, 15A, 250A, DOUBLE POLE .....	A0004042788
2. CONNECTOR, 2 POSITION .....	66100
3. CONNECTOR, 5 POSITION .....	66102
4. BREAKER, 15A, SINGLE POLE .....	A0004042788
5. SWITCH, TOGGLE SPST, 20A, SEALED .....	10000031493
6. BREAKER, 5A, PUSH BUTTON .....	75030
7. BREAKER, 10A, PUSH BUTTON .....	36937
8. BREAKER, 15A, PUSH BUTTON .....	36935

# RECOMMENDED SPARE PARTS - MISC



03899

## RECOMMENDED SPARE PARTS - MISC

---

### MAST

1. CABLE, 79.75 IN .....	31248
2. CABLE, 78 IN .....	31277
3. CABLE, 144 IN .....	31247
4. COIL CORD W/ 155 INCH TAIL (MAST JUNCTION BOX TO CONTROL BOX) .....	A0000108466
5. DRIVER, LED 30V, 10.7A, 320W .....	72178
6. WINCH, MANUAL, INCLUDES DUAL HANDLE .....	72127
7. ASSEMBLY, LED LIGHT 320W - HARD WIRE .....	A0001904532
8. ASSEMBLY, DRIVER WITH CONNECTOR .....	A0000188779

### JACKS

9. JACK, TOP WIND, 1200 LB .....	72126
----------------------------------	-------

### ENCLOSURE

10. GAS SHOCK .....	35137
---------------------	-------







Part No. A000397788 Rev. C 11/09/2023

©2023 Generac Power Systems, Inc.  
All rights reserved.

Specifications are subject to change without notice.  
No reproduction allowed in any form without prior written consent  
from Generac Power Systems, Inc.

**GENERAC** | **MOBILE**

Generac Power Systems, Inc.  
S45 W29290 Hwy. 59, Waukesha WI 53189  
[GeneracMobileProducts.com](https://www.GeneracMobileProducts.com) | 844-ASK-GNRC | 844-275-4672