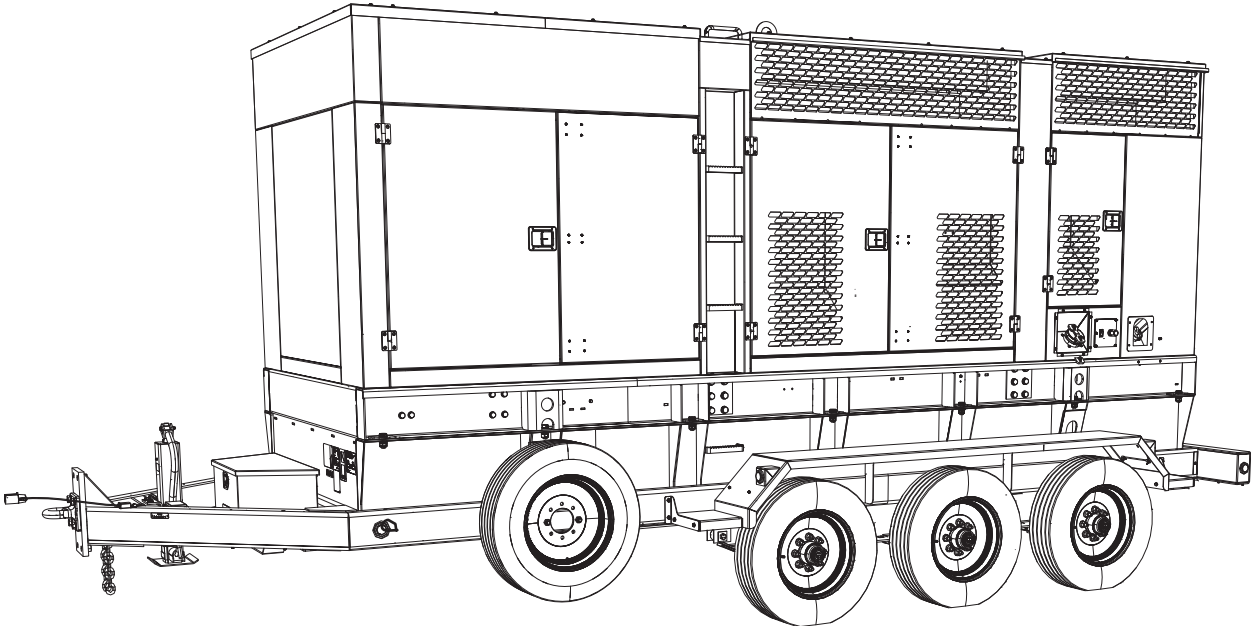


# ***MDE570P***

## *Diesel Generator Parts Manual*



03710

**MODEL NUMBER:** \_\_\_\_\_

**SERIAL NUMBER:** \_\_\_\_\_

**DATE PURCHASED:** \_\_\_\_\_

 **WARNING**

Breathing diesel engine exhaust exposes you to chemicals known to the State of California to cause cancer and birth defects or other reproductive harm.

- Always start and operate the engine in a well-ventilated area.
- If in an enclosed area, vent the exhaust to the outside.
- Do not modify or tamper with the exhaust system.
- Do not idle the engine except as necessary.

For more information go to

[www.P65Warnings.ca.gov/diesel](http://www.P65Warnings.ca.gov/diesel). (000394)

# Introduction

This parts manual was prepared based on the information available at the time of publication and is subject to change without notice. Generac Mobile reserves the right to change parts at any time. To check whether a revised parts manual is available, contact Generac Mobile.

DO NOT MODIFY or use this equipment for any application other than which it was designed for. To keep your equipment fully operational, it is suggested you maintain a stock of commonly used maintenance or service parts. A recommended spare parts list can be found in the back of this manual. To order service parts, please go to [www.generacmobileproducts.com](http://www.generacmobileproducts.com) or call Generac Mobile.



## **WARNING**

Consult Manual. Read and understand manual completely before using product. Failure to completely understand manual and product could result in death or serious injury. (000100a)

---

## **WARNING**

Environmental Hazard. Always recycle batteries at an official recycling center in accordance with all local laws and regulations. Failure to do so could result in environmental damage, death, or serious injury. (000228)

---

## **GENERAC MOBILE PRODUCTS LLC**

**215 Power Drive • Berlin, WI 54923 U.S.A.**

**Phone: 920-361-4442**

**FAX: 920-361-4416**

**Toll Free: 1-800-926-9768**

**[www.generacmobileproducts.com](http://www.generacmobileproducts.com)**

**For technical or parts QUESTIONS, contact Generac Mobile Technical Service at 1-800-926-9768.**

Engine Make: \_\_\_\_\_

Engine Serial Number: \_\_\_\_\_

Engine Model Number: \_\_\_\_\_

This Page Intentionally Left Blank

# Table of Contents

|   |     |
|---|-----|
| Introduction .....                                      | iii |
| Unit Decals - Exterior .....                            | 2   |
| Unit Decals - Interior .....                            | 4   |
| Unit Decals - Control/Electrical Panel .....            | 6   |
| Enclosure Panels .....                                  | 8   |
| Doors to Unit .....                                     | 10  |
| Double Door Assembly - Right .....                      | 12  |
| Double Door Assembly - Left .....                       | 14  |
| Control Door Assembly .....                             | 16  |
| Vented Door Assembly - Right .....                      | 18  |
| Vented Door Assembly - Left .....                       | 20  |
| Vented Door Assembly - LR .....                         | 22  |
| Vented Door Assembly - RR .....                         | 24  |
| Door Assembly - Lug Box .....                           | 26  |
| Roof Assembly .....                                     | 28  |
| Rear Baffle Assembly .....                              | 30  |
| Rear Panel Assembly .....                               | 32  |
| Front Enclosure Assembly .....                          | 34  |
| Receptacle Box Assembly .....                           | 36  |
| Control Box Assembly .....                              | 38  |
| Breaker/Lug Box Assembly .....                          | 40  |
| Paralleling Option .....                                | 42  |
| Lug Panel Assembly - Standard .....                     | 44  |
| Lug Panel Assembly - Option US .....                    | 46  |
| Lug Panel Assembly - Option Canada .....                | 48  |
| Engine Assembly - Left Side .....                       | 50  |
| Engine Assembly - Left Side 2 .....                     | 52  |
| Engine Assembly - Right Side .....                      | 54  |
| Generator Assembly .....                                | 56  |
| Generator Conductor Assembly .....                      | 58  |
| Link Board Assembly .....                               | 60  |
| Engine and Generator To Unit .....                      | 62  |
| Exhaust System .....                                    | 64  |
| Cooling System Assembly .....                           | 66  |
| Battery Assembly/Options .....                          | 68  |
| Lift Structure Assembly (1 of 2) .....                  | 70  |
| Lift Structure Assembly (2 of 2) .....                  | 72  |
| Tank Assembly .....                                     | 74  |
| Tank To Trailer Or Skid Assembly .....                  | 76  |
| Trailer Assembly .....                                  | 78  |
| Recommended Spare Parts - Engine and Service Kits ..... | 80  |
| Recommended Spare Parts - Electrical and Trailer .....  | 82  |

This Page Intentionally Left Blank


# Parts Manual Instructions

Product illustrations are only representations. Products supplied may vary from the illustrations in this parts manual. Parts not shown in the illustration are indicated by a double dash (--) in the item column.

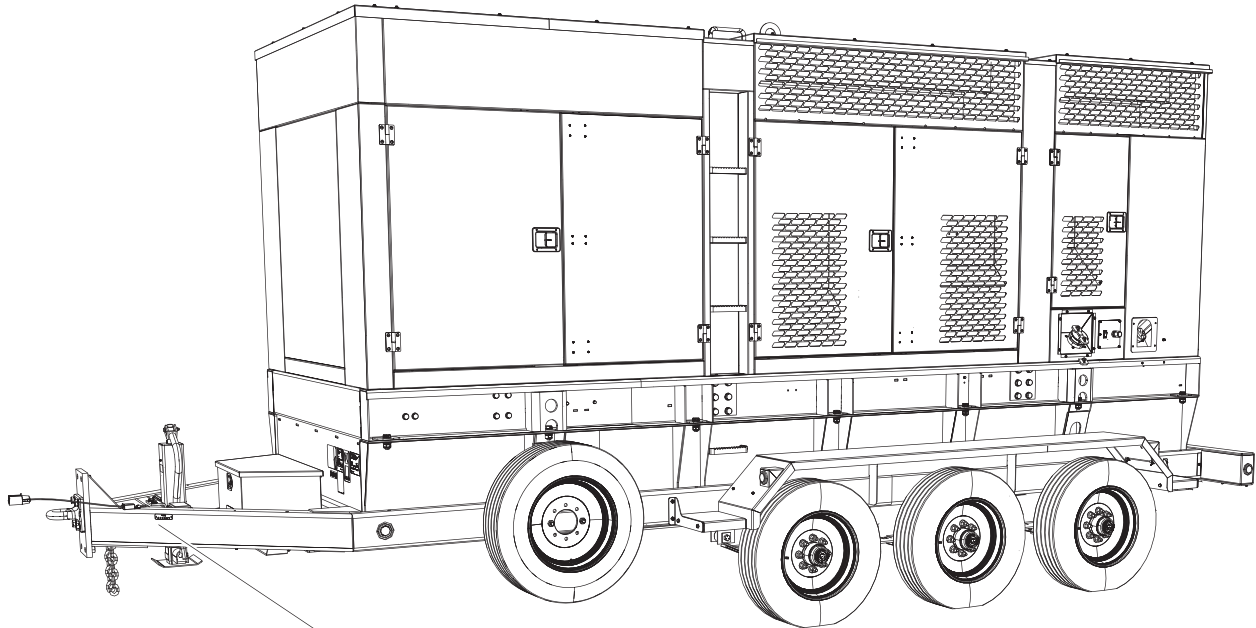
Please be prepared to provide the following information when ordering replacement parts: model number, serial number (on unit serial tag), part number, purchase order number (if applicable), shipping address, shipping method.

Refer to the illustration below to locate the unit ID tag and Vehicle Identification Number (VIN) tag on the unit. Important information, such as the unit serial number, model number, VIN and tire loading information are found on these tags. Record the information from these tags so it is available if the tags are lost or damaged. When ordering parts or requesting assistance, you may be asked to provide this information.

## Unit ID Tag

|   |                      |   |                |  |  |
|---|----------------------|---|----------------|--|--|
| Manufactured by Generac Mobile Products LLC |                      |   |                |  |  |
| (920) 361-4442                              |                      |   | (800) 926-9768 |  |  |
| Country of Origin                           | Model                | Serial Number   |                |  |  |
| <input type="text"/>                        | <input type="text"/> | <input type="text"/>  |                |  |  |
| Manufacturing Code                          | Weight (lbs/kg)      | RPM/Frequency   |                |  |  |
| <input type="text"/>                        | <input type="text"/> | <input type="text"/>  |                |  |  |
| Rating                                      |                      | <input type="text"/>  |                |  |  |
| 1 ph. 1.0PF                                 | 3 ph. .8PF           | 3 ph. 1.0PF   |                |  |  |
| KW <input type="text"/>                     | <input type="text"/> | <input type="text"/>  |                |  |  |
| KVA <input type="text"/>                    | <input type="text"/> | <input type="text"/>  |                |  |  |
| V <input type="text"/>                      | <input type="text"/> | <input type="text"/>  |                |  |  |
| A <input type="text"/>                      | <input type="text"/> | <input type="text"/>  |                |  |  |
|   |                      | Ins. Class <input type="text"/>   |                |  |  |
|   |                      |  FOR ELECTRICAL EQUIPMENT<br><small>ONLY FOR USE WITH<br/>ELECTRICAL EQUIPMENT<br/>CONFORMING TO THE<br/>UL STANDARD</small> |                |  |  |

Located on control panel face at rear of unit

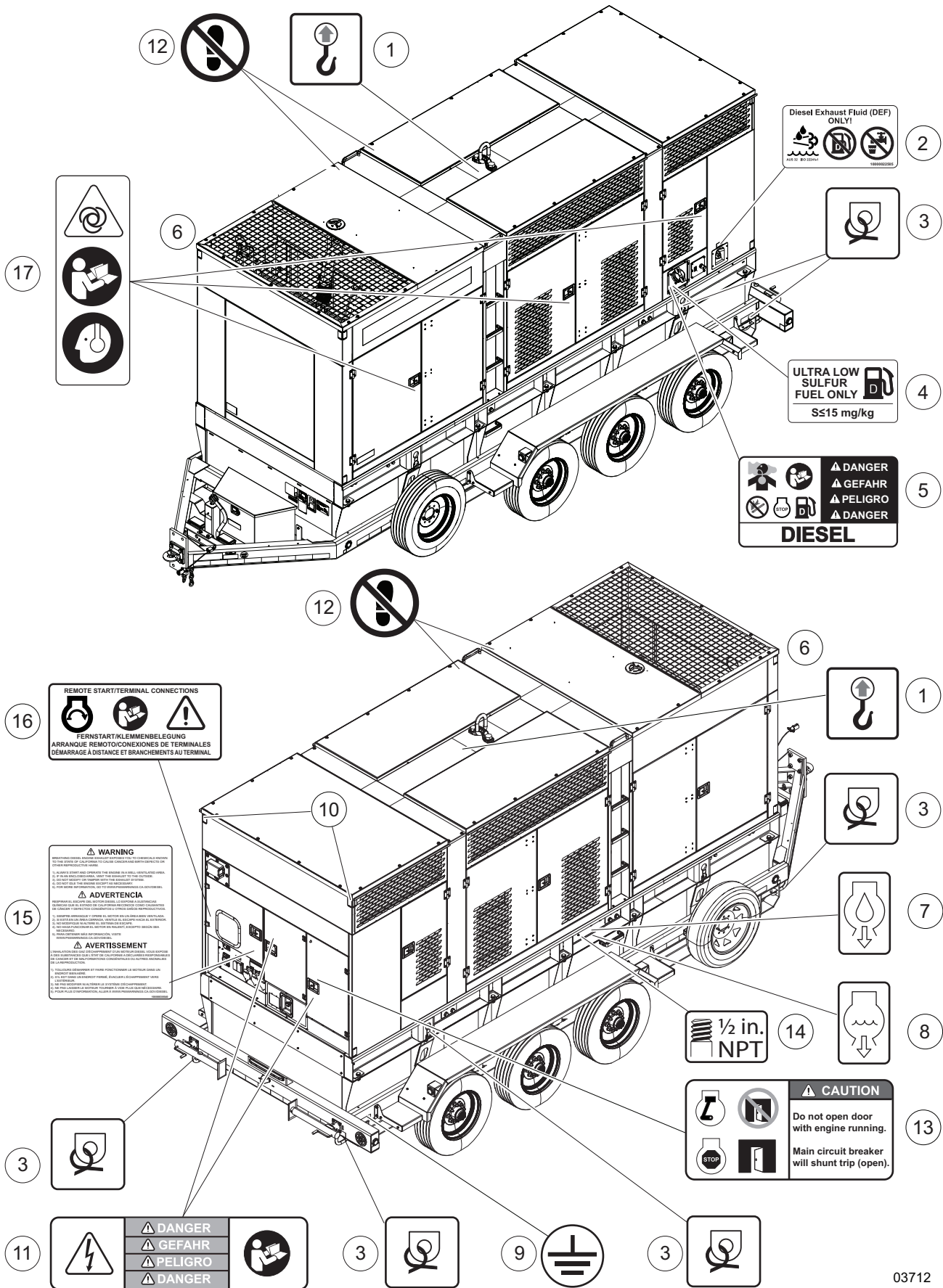


## VIN Tag

|   |             |   |  |
|---|-------------|---|--|
| MANUFACTURED BY/FABRIQUE PAR: Generac Mobile Products LLC   |             | DATE: 00/0000                           |  <b>TIRE AND LOADING INFORMATION</b><br><b>RENSEIGNEMENTS SUR LES PNEUS ET LE CHARGEMENT</b><br>The weight of cargo should never exceed 6000KG (13000LBS).<br>Le poids du chargement ne doit jamais dépasser 6000KG (13000LBS). |
| GVV/RPNBV: 000KG (0000LBS)  |             | COLD INF. PRESS /<br>PRESIS DE          |  |
| GAWR / PNEU   | TIRE / PNEU | RM / JANTE                              | SEE OWNER'S MANUAL FOR ADDITIONAL INFORMATION.<br>VOIR LE MANUEL DE L'USAGER POUR PLUS DE RENSEIGNEMENTS.  |
| EACH AXLE   |             | CONF A FROID - KPA/P(SI/LPC) SOL / DUAL |  |
| <small>THIS VEHICLE CONFORMS TO ALL APPLICABLE STANDARDS PRESCRIBED UNDER THE U.S. FEDERAL MOTOR VEHICLE SAFETY STANDARDS/REGULATIONS CONCERNING MOTOR VEHICLE SAFETY REGULATIONS EN RÉFÉRENCE DES NORMES DE MANUFACTURE.</small><br><small>CE VEHICULE EST CONFORME A TOUTES LES NORMES QUI SONT APPLICABLES EN VERTU DU REGLEMENT SUR LA SECURITE DES VEHICULES AUTOMOBILES ET TOUTES LES DISPOSITIONS REGULAIRES LIÉES A LA MANUFACTURE.</small> |             |   |  |
| VIN: 000000000000000000   |             | MODEL: <b>XXX000</b>                    |  |
|   |             | TYPE: <b>TRAILER</b>                    |  |

03711

# UNIT DECALS - EXTERIOR



03712



## UNIT DECALS - EXTERIOR

| Item | Part No.    | Qty | Description                        | Notes |
|------|-------------|-----|------------------------------------|-------|
| 1    | 10000023234 | 2   | DECAL OVERHEAD LIFT POINT          |       |
| 2    | 10000022505 | 1   | DECAL DEF FLUID ONLY FILL          |       |
| 3    | 10000022772 | 8   | DECAL ISO TIE DOWN POINT 35MM      |       |
| 4    | 10000023715 | 1   | DECAL ULTRA LOW SULFUR FUEL        |       |
| 5    | 10000022514 | 1   | DECAL DIESEL FUEL ONLY FILL        |       |
| 6    | A0000617188 | 6   | REFLECTOR AMBER 2X3.5 SAE A PSA    |       |
| 7    | 10000019336 | 1   | DECAL ISO ENGINE OIL DRAIN         |       |
| 8    | A0002280027 | 1   | DECAL ISO ENGINE COOLANT DRAIN     |       |
| 9    | 10000022308 | 1   | DECAL CONNECTION LUG GND 32MM      |       |
| 10   | A0000617187 | 6   | REFLECTOR RED 2X3.5 SAE A PSA      |       |
| 11   | 10000023198 | 1   | DECAL ELECT DANGER READ MANUAL     |       |
| 12   | A0000116412 | 5   | DECAL DO NOT STEP                  |       |
| 13   | 10000023876 | 1   | DECAL DOOR OPEN MCB SHUNT TRIP     |       |
| 14   | 10000027178 | 2   | DECAL ISO THREAD 1/2 NPT           |       |
| 15   | 10000038540 | 1   | DECAL CA-PROP 65 FOR CI ENGINE     |       |
| 16   | 10000023129 | 1   | DECAL REMOTE START TERMINAL        |       |
| 17   | A0000382483 | 6   | DECAL SOUND READ MANUAL AUTO START |       |

# UNIT DECALS - INTERIOR

**1**

**2**

**3**

**4**

**5**

**6**

**7**

**8**

**9**

**10**

**11**

**12**

**13**

**14**

**Operator's manual must be stored on machine. Replacement operator's manual can be ordered through your local Generac distributor.**  
**Das Benutzerhandbuch muss an der Maschine aufbewahrt werden. Zur Bestellung von Ersatzhandbüchern wenden Sie sich bitte an Ihren Generac-Händler.**  
**El manual del operador debe guardarse en la máquina. Puede solicitar un manual del operador de reemplazo a través de su distribuidor local de Generac.**  
**Ranger le manuel de l'utilisateur avec l'appareil. Un manuel de rechange peut être commandé auprès de votre distributeur Generac local.**

**1000023884**

**WARNING**  
 Generator can automatically start which can cause serious injury. Disconnect battery before servicing.

**WARNUNG**  
 Der Generator kann automatisch anspringen und schwere Verletzungen verursachen. Vor der Instandsetzung die Batterieverbindungen lösen.

**ADVERTENCIA**  
 El generador puede arrancar automáticamente, lo que puede causar lesiones graves. Desconecte la batería antes de realizar el servicio técnico.

**AVERTISSEMENT**  
 La génératrice peut démarrer automatiquement, ce qui peut entraîner des blessures graves. Débrancher la batterie avant de faire l'entretien.

**8** **⚠ DANGER**  
 Proper connection of generator to a building's electrical system can allow electrical current from the generator to backfeed into utility lines. This may result in electrocution or arcing systems, fire or explosion. Connections to building's electrical system must be made by a qualified electrician and comply with all applicable laws and electrical codes.

**GEFAHR**  
 Die richtige Anschließung des Generators an ein Gebäudesystem könnte einen Stromfluss vom Generator ins Stromnetz ermöglichen. Dies kann zu einer gefährlichen Stromschlag- oder Explosionsgefahr durch das Anschließens an ein Gebäudesystem führen. Die Anschlüsse müssen von einem Elektriker vorgenommen werden und es müssen dabei alle einschlägigen Gesetze und elektrischen Vorschriften eingehalten werden.

**PELIGRO**  
 La conexión inadecuada del generador al sistema eléctrico de un edificio puede hacer que la corriente eléctrica del generador se retroalimente en las líneas de servicio público. Esto puede provocar la electrocución, incendios o explosiones. Las conexiones al sistema eléctrico de un edificio deben ser realizadas por un electricista calificado, y cumplir con todas las leyes y códigos de regulaciones aplicables.

**⚠ DANGER**  
 Le raccordement inadéquat de la génératrice au système électrique d'un immeuble peut permettre au courant électrique produit par la génératrice de rétroalimenter le réseau public. Les courants de rétroalimentation peuvent provoquer la mort par électrocution, incendie ou explosion. Les connexions au système électrique d'un bâtiment doivent être effectuées par un électricien qualifié et respecter les lois et règlements en vigueur.

**10** **⚠ WARNING**  
 IMV BOARD ATTACHED IN 48V VOLT 30 POSITION  
 IMV BOARD ATTACHED IN 240V VOLT 30 POSITION

**On Back of Cabinets (2)**

**7**

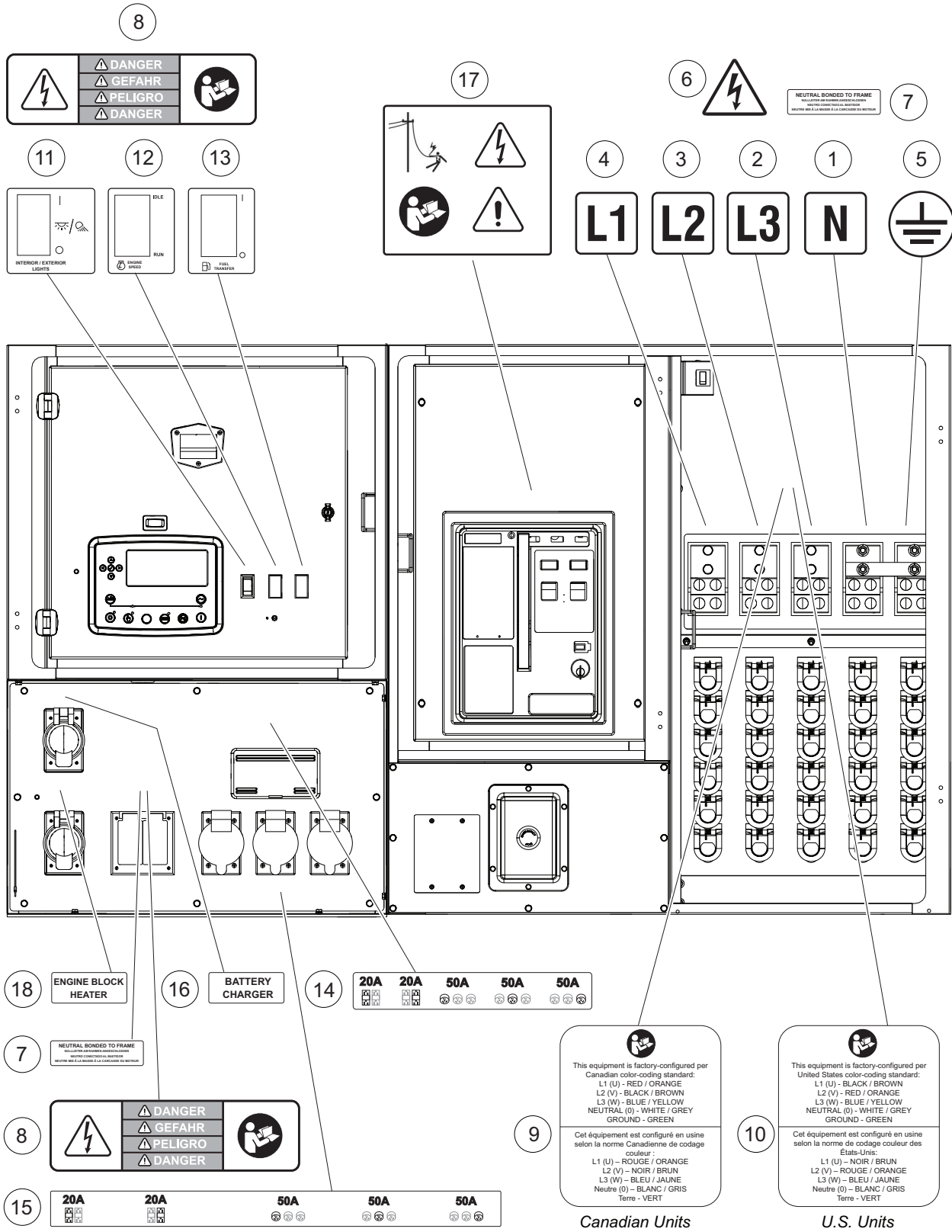
**7**

03713

## UNIT DECALS - INTERIOR

| Item | Part No.    | Qty | Description                     | Notes |
|------|-------------|-----|---------------------------------|-------|
| 1    | 10000022644 | 2   | DECAL FANBELT BLADE TEMP GUARD  |       |
| 2    | 10000022551 | 2   | DECAL RADIATOR FILL HAZARD      |       |
| 3    | 10000023884 | 1   | DECAL OPERATOR MANUAL STORAGE   |       |
| 4    | 10000022308 | 1   | DECAL GROUND                    |       |
| 5    | A0001944388 | 1   | DECAL BATTERY DISCONNECT MOBILE |       |
| 6    | 10000022667 | 2   | DECAL GEN GUARD TEMP WARNING    |       |
| 7    | 10000023198 | 2   | DECAL ELECT DANGER READ MANUAL  |       |
| 8    | 10000024164 | 1   | DECAL DANGER GENERATOR BACKFEED |       |
| 9    | 10000024178 | 1   | DECAL WARNING BATT DISCONNECT   |       |
| 10   | 21495       | 1   | DECAL, RECONNECT BOX 4 LANG.    |       |
| 11   | A0002352127 | 1   | DECAL ISO BATTERY EXPLOSION     |       |
| 12   | 10000019237 | 2   | DECAL ISO PINCH POINT           |       |
| 13   | A0002352120 | 2   | DECAL ISO ALTERNATOR LIFT       |       |
| 14   | 10000022628 | 2   | DECAL ELECTRICAL HAZARD         |       |

# UNIT DECALS - CONTROL/ELECTRICAL PANEL

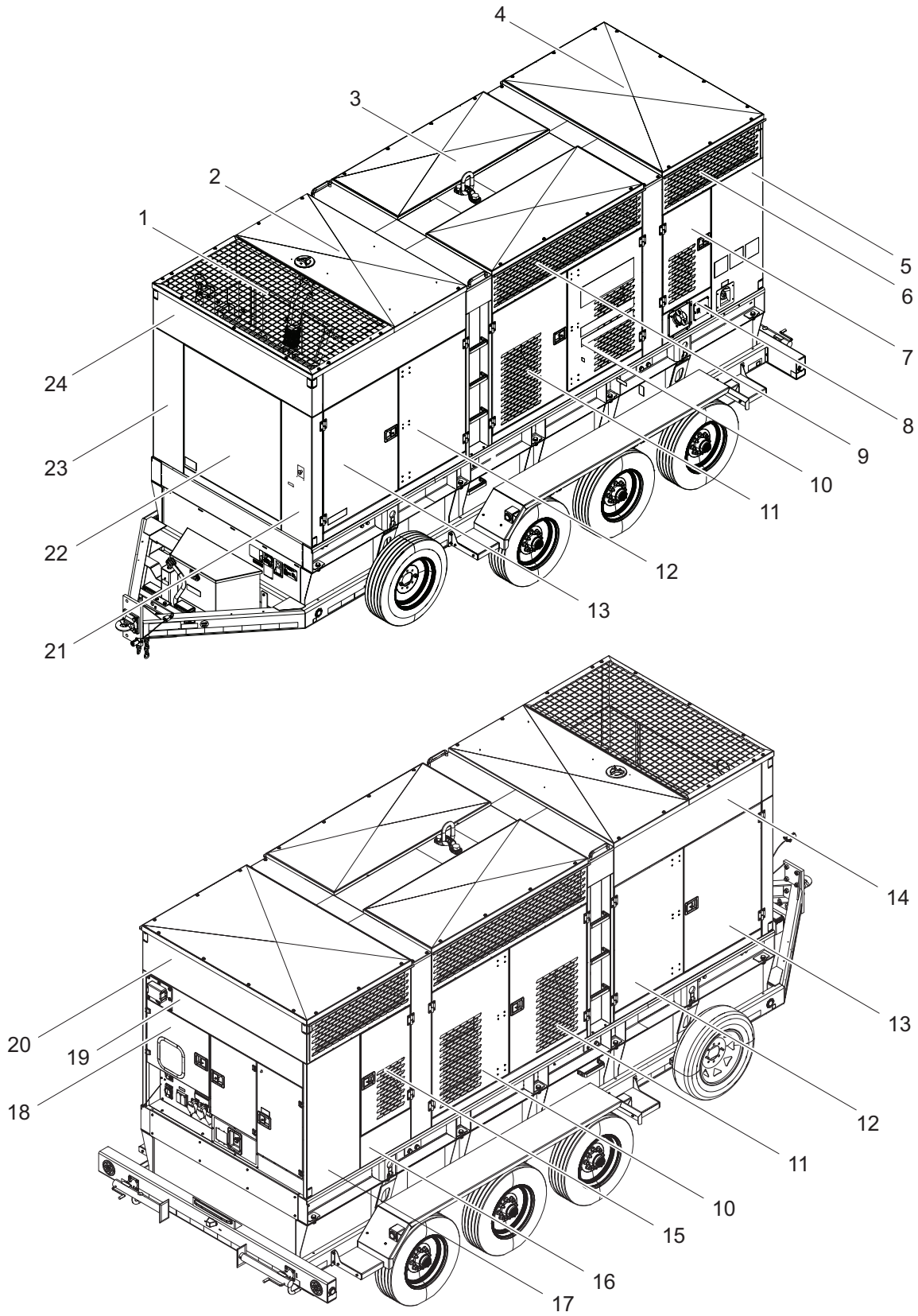


03714

## UNIT DECALS - CONTROL/ELECTRICAL PANEL

| Item | Part No.    | Qty | Description                      | Notes |
|------|-------------|-----|----------------------------------|-------|
| 1    | 10000022376 | 1   | DECAL CONNECTION LUG NEU 32MM    |       |
| 2    | 10000022382 | 1   | DECAL CONNECTION LUG L3 32MM     |       |
| 3    | 10000022328 | 1   | DECAL CONNECTION LUG L2 32MM     |       |
| 4    | 10000022346 | 1   | DECAL CONNECTION LUG L1 32MM     |       |
| 5    | 10000035617 | 2   | DECAL IEC PE GROUND              |       |
| 6    | 10000022628 | 1   | DECAL ELECTRICAL HAZARD          |       |
| 7    | 10000023204 | 1   | DECAL NEUTRAL BONDED TO FRAME    |       |
| 8    | 10000023198 | 1   | DECAL ELECT DANGER READ MANUAL   |       |
| 9    | A0001656955 | 1   | DECAL CANADIAN CAMLOK SINGLE-PIN |       |
| 10   | A0001656956 | 1   | DECAL US CAMLOK SINGLE-PIN       |       |
| 11   | A0002747142 | 1   | DECAL INT-EXT LIGHT SWITCH MDE   |       |
| 12   | A0002747143 | 1   | DECAL ENGINE SPEED SWITCH MDE    |       |
| 13   | A0002747144 | 1   | DECAL FUEL TRANSFER SWITCH MDE   |       |
| 14   | A0002299410 | 1   | DECAL, RECEPTACLE BREAKER LAYOUT |       |
| 15   | A0002299409 | 1   | DECAL, RECEPTACLE LAYOUT         |       |
| 16   | 21259       | 1   | DECAL, BATTERY CHARGER           |       |
| 17   | A0002355992 | 1   | DECAL ISO GENERATOR BACKFEED     |       |
| 18   | 28964       | 1   | DECAL, ENGINE BLOCK HEATER       |       |

# ENCLOSURE PANELS

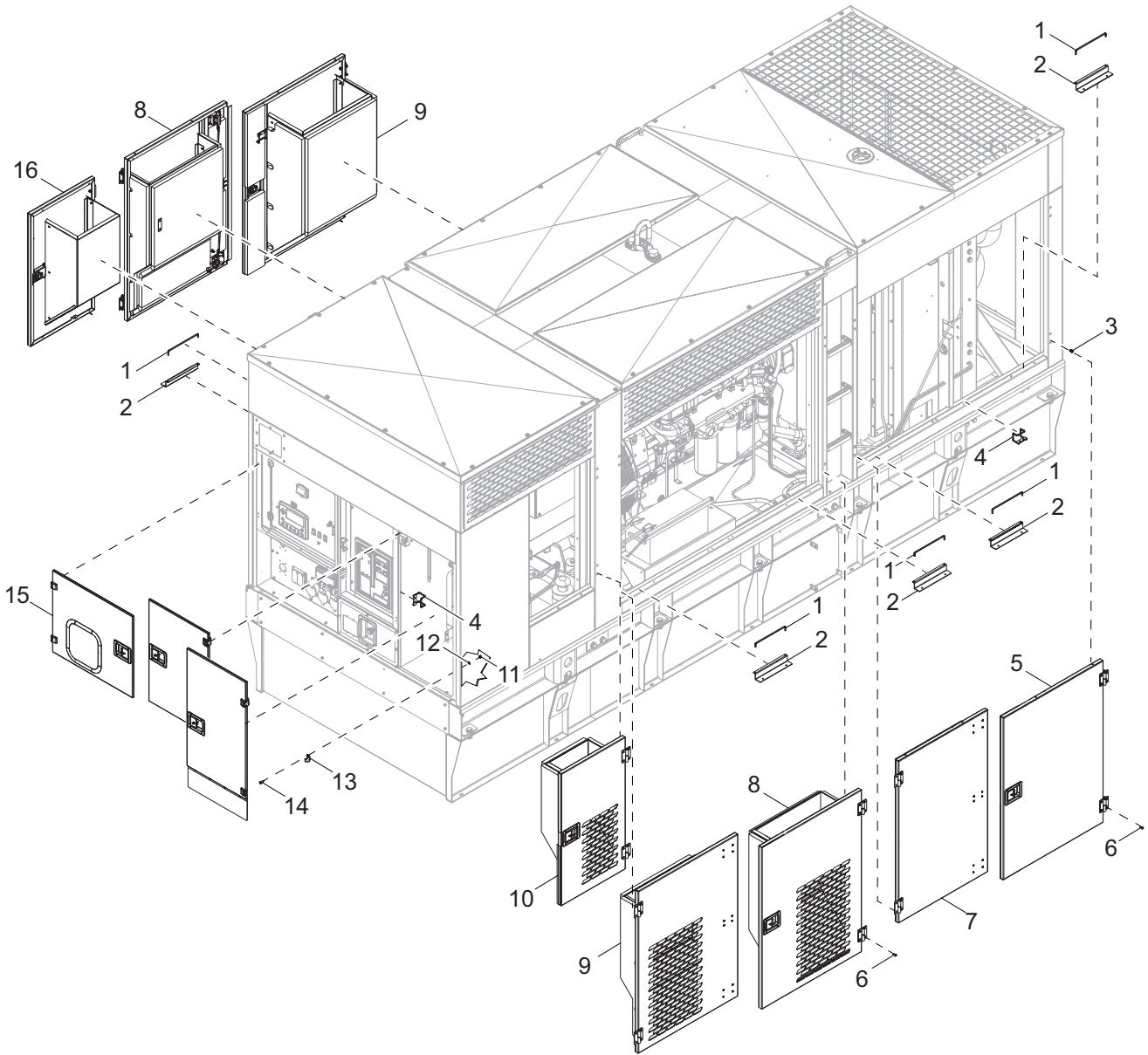


03715

## ENCLOSURE PANELS

| Item | Part No.    | Qty | Description                    | Notes                   |
|------|-------------|-----|--------------------------------|-------------------------|
| 1    | A0001649744 | 1   | ST05 ENCL ROOF EXHAUST GRATE   |                         |
| 2    | A0001642494 | 1   | ST05 ENCL ROOF FRONT RAD       |                         |
| 3    | A0001642345 | 1   | ST05 ENCL ROOF MID             |                         |
| 4    | A0001642238 | 1   | ST05 ENCL DUCT REAR ROOF       |                         |
| 5    | A0001642500 | 1   | ST05 ENCL CORNER REAR LH       |                         |
| 6    | A0001713838 | 1   | ST05 ENCL SIDE LH VENTED       |                         |
| 7    | -           | 1   | DOOR LH REAR                   | <a href="#">Page 22</a> |
| 8    | A0001641330 | 1   | ST05 ENCL SIDE REAR DOOR FUEL  |                         |
| 9    | A0001713837 | 2   | ST05 ENCL SIDE MID VENTED      |                         |
| 10   | -           | 2   | DOOR DD NO HANDLE VENTED       | <a href="#">Page 18</a> |
| 11   | -           | 2   | DOOR DD HANDLE VENTED          | <a href="#">Page 20</a> |
| 12   | -           | 2   | DOOR DD NO HANDLE              | <a href="#">Page 14</a> |
| 13   | -           | 2   | DOOR DD HANDLE                 | <a href="#">Page 12</a> |
| 14   | A0001641313 | 1   | ST05 ENCL REAR DUCT BACK PANEL |                         |
| 15   | -           | 1   | DOOR RH REAR                   | <a href="#">Page 24</a> |
| 16   | A0001641341 | 1   | ST05 ENCL SIDE REAR DOOR BLANK |                         |
| 17   | A0001638844 | 1   | ST05 ENCL CORNER FRONT LH      |                         |
| 18   | -           | 1   | DOOR CONTROLS                  | <a href="#">Page 16</a> |
| 19   | A0001642224 | 1   | ST05 ENCL REAR FILLER          |                         |
| 20   | A0001713836 | 1   | ST05 ENCL REAR BLANK PANEL     |                         |
| 21   | A0001641269 | 1   | ST05 ENCL CORNER FRONT LH      |                         |
| 22   | A0001642208 | 1   | ST05 ENCL FRONT PANEL          |                         |
| 23   | A0001641293 | 1   | ST05 ENCL FRONT LH CORNER POST |                         |
| 24   | A0001641276 | 1   | ST05 ENCL FRONT DISCHARGE WRAP |                         |

# DOORS TO UNIT



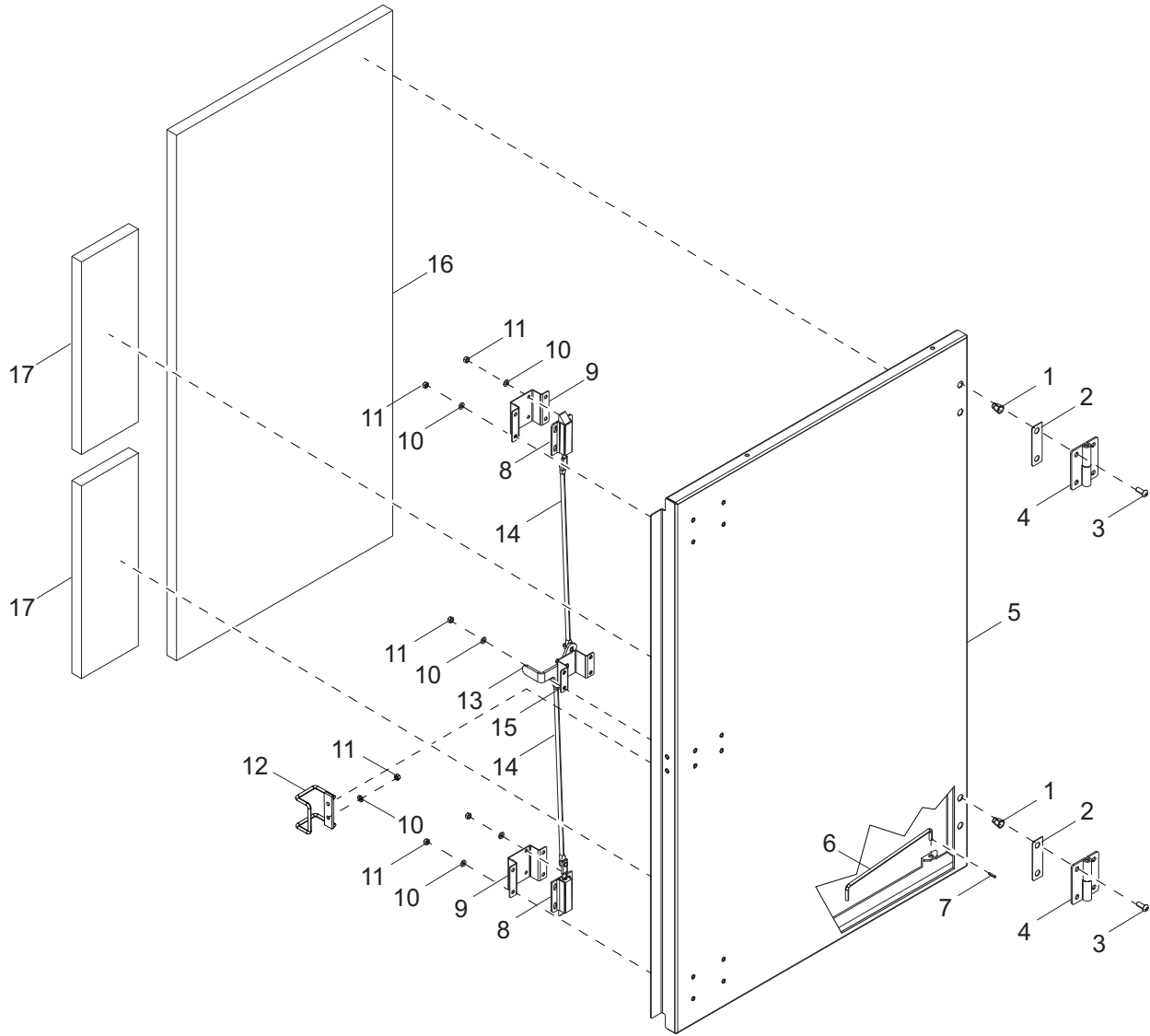
03716



## DOORS TO UNIT

| Item | Part No.    | Qty | Description                   | Notes                   |
|------|-------------|-----|-------------------------------|-------------------------|
| 1    | 18900ZC     | 10  | ROD, DOOR PROP                |                         |
| 2    | A0002057894 | 10  | ST05 DOOR PROP ANCHOR BRACKET |                         |
| 3    | 0A8540      | 40  | NUT LOCK TRIC M8 X 1.25 Y/ZNC |                         |
| 4    | A0001073997 | 14  | STRIKER 2 POINT LATCH         |                         |
| 5    | -           | 2   | DOOR DD HANDLE                | <a href="#">Page 12</a> |
| 6    | 0A5991      | 40  | SCREW BHSC M8-1.25 X 20 SS    |                         |
| 7    | -           | 2   | DOOR DD NO HANDLE             | <a href="#">Page 14</a> |
| 8    | -           | 2   | DOOR DD HANDLE VENTED         | <a href="#">Page 18</a> |
| 9    | -           | 2   | DOOR DD NO HANDLE VENTED      | <a href="#">Page 20</a> |
| 10   | -           | 1   | DOOR RH REAR                  | <a href="#">Page 24</a> |
| 11   | 0B2236      | 12  | NUT HEX LOCK M6-1 NY INS      |                         |
| 12   | G049811     | 12  | WASHER FLAT M6                |                         |
| 13   | A0000984389 | 6   | HINGE ASSEMBLY                |                         |
| 14   | 0J4525      | 12  | SCREW PFHM M6-1.0 X 16        |                         |
| 15   | A0001641269 | 1   | ST05 ENCL CORNER FRONT LH     |                         |
| 16   | -           | 1   | DOOR LH REAR                  | <a href="#">Page 22</a> |

# DOUBLE DOOR ASSEMBLY - RIGHT

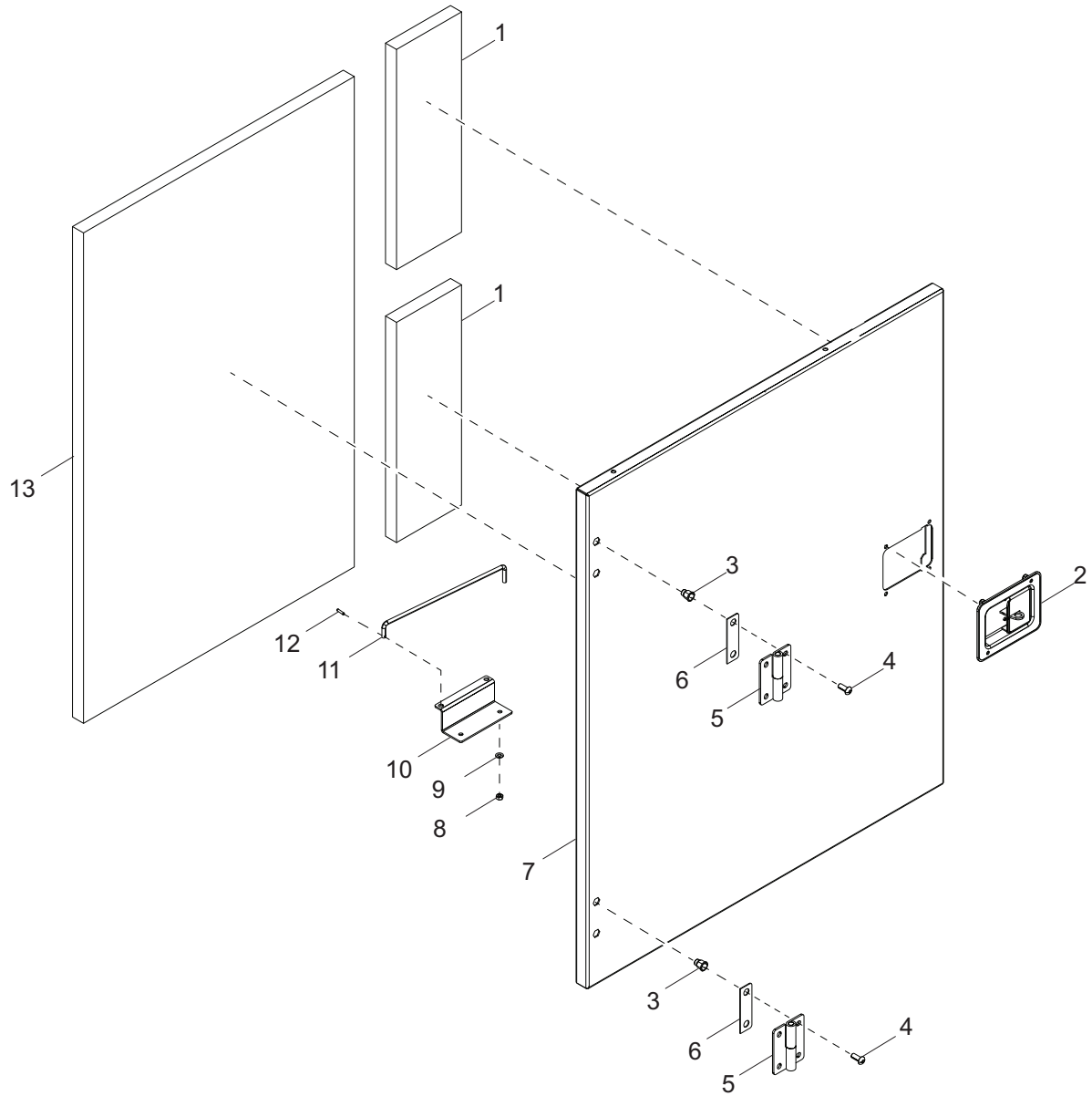


03717

## DOUBLE DOOR ASSEMBLY - RIGHT

| Item | Part No.    | Qty | Description                        | Notes |
|------|-------------|-----|------------------------------------|-------|
| 1    | 0A8540      | 4   | NUT LOCK TRIC M8 X 1.25 Y/ZNC      |       |
| 2    | 0C2655      | 2   | GASKET, M8 HINGE                   |       |
| 3    | 0A5991      | 4   | SCREW BHSC M8-1.25 X 20 SS         |       |
| 4    | 0C3595      | 1   | ASSY M8 HINGE LH TOP               |       |
| 5    | A0001642291 | 1   | ST05 ENCL DOOR WLDMT REAR SERIES 3 |       |
| 6    | 18900ZC     | 1   | ROD, DOOR PROP                     |       |
| 7    | 60048       | 1   | PIN, ROLL - .125X.625 ZP           |       |
| 8    | A0001003208 | 2   | ROD CAM 2 POINT LATCH              |       |
| 9    | A0000985452 | 2   | ST05 ENCL DOOR LATCH MNT 2P        |       |
| 10   | G049811     | 20  | WASHER FLAT M6                     |       |
| 11   | 0B2236      | 20  | NUT HEX LOCK M6-1 NY INS           |       |
| 12   | A0001003394 | 1   | STRIKER 2 POINT LATCH ZINC         |       |
| 13   | A0001004871 | 1   | HANDLE DD INSIDE SERIES            |       |
| 14   | A0001028125 | 2   | ROD 2 POINT LATCH 266.7MM LG       |       |
| 15   | A0000985395 | 1   | ST05 ENCL DOOR DD HANDLE MNT       |       |
| 16   | A0003702829 | 1   | INSUL DOOR DD BODY                 |       |
| 17   | A0003704002 | 2   | INSUL DOOR REAR HANDLE             |       |

# DOUBLE DOOR ASSEMBLY - LEFT



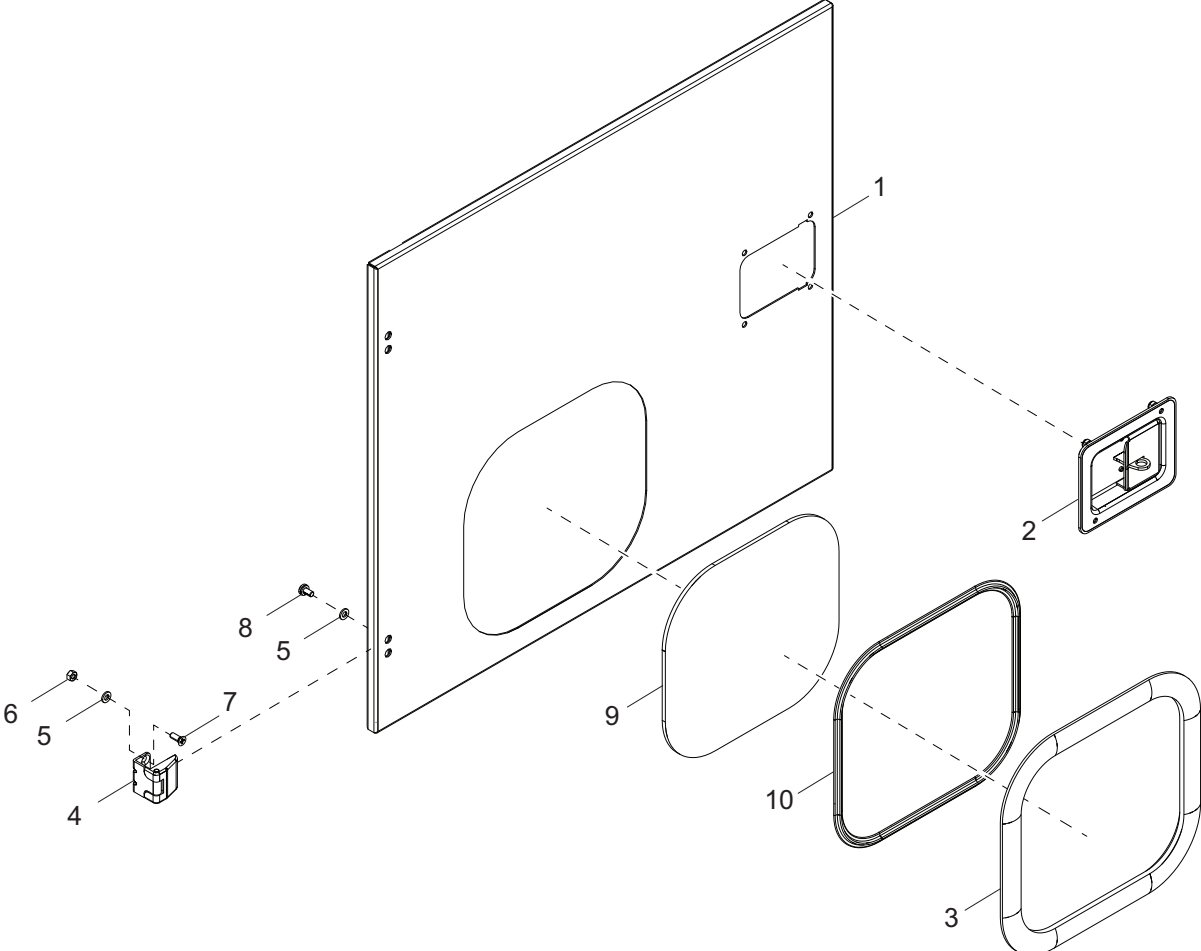
03718

## DOUBLE DOOR ASSEMBLY - LEFT

| Item | Part No.    | Qty | Description                          | Notes |
|------|-------------|-----|--------------------------------------|-------|
| 1    | A0003704005 | 2   | INSUL DOOR DD HANDLE                 |       |
| 2    | A0002056735 | 1   | HANDLE SINGLE POINT SS               |       |
| 3    | 0A8540      | 4   | NUT LOCK TRIC M8 X 1.25 Y/ZNC        |       |
| 4    | 0A5991      | 4   | SCREW BHSC M8-1.25 X 20 SS           |       |
| 5    | 0C3595      | 2   | ASSY M8 HINGE LH TOP                 |       |
| 6    | 0C2655      | 2   | GASKET, M8 HINGE                     |       |
| 7    | A0001642297 | 1   | ST05 ENCL DOOR WLDMT HANDLE SERIES 3 |       |
| 8    | 0B2236      | 2   | NUT HEX LOCK M6-1 NY INS             |       |
| 9    | G049811     | 2   | WASHER FLAT M6                       |       |
| 10   | A0001075320 | 1   | ST05 DOOR PROP ANCHOR BRACKET        |       |
| 11   | 18900ZC     | 1   | ROD, DOOR PROP                       |       |
| 12   | 60048       | 1   | PIN, ROLL - .125X.625 ZP             |       |
| 13   | A0003702778 | 1   | INSUL DOOR DD BODY                   |       |

**CONTROL DOOR ASSEMBLY**

---



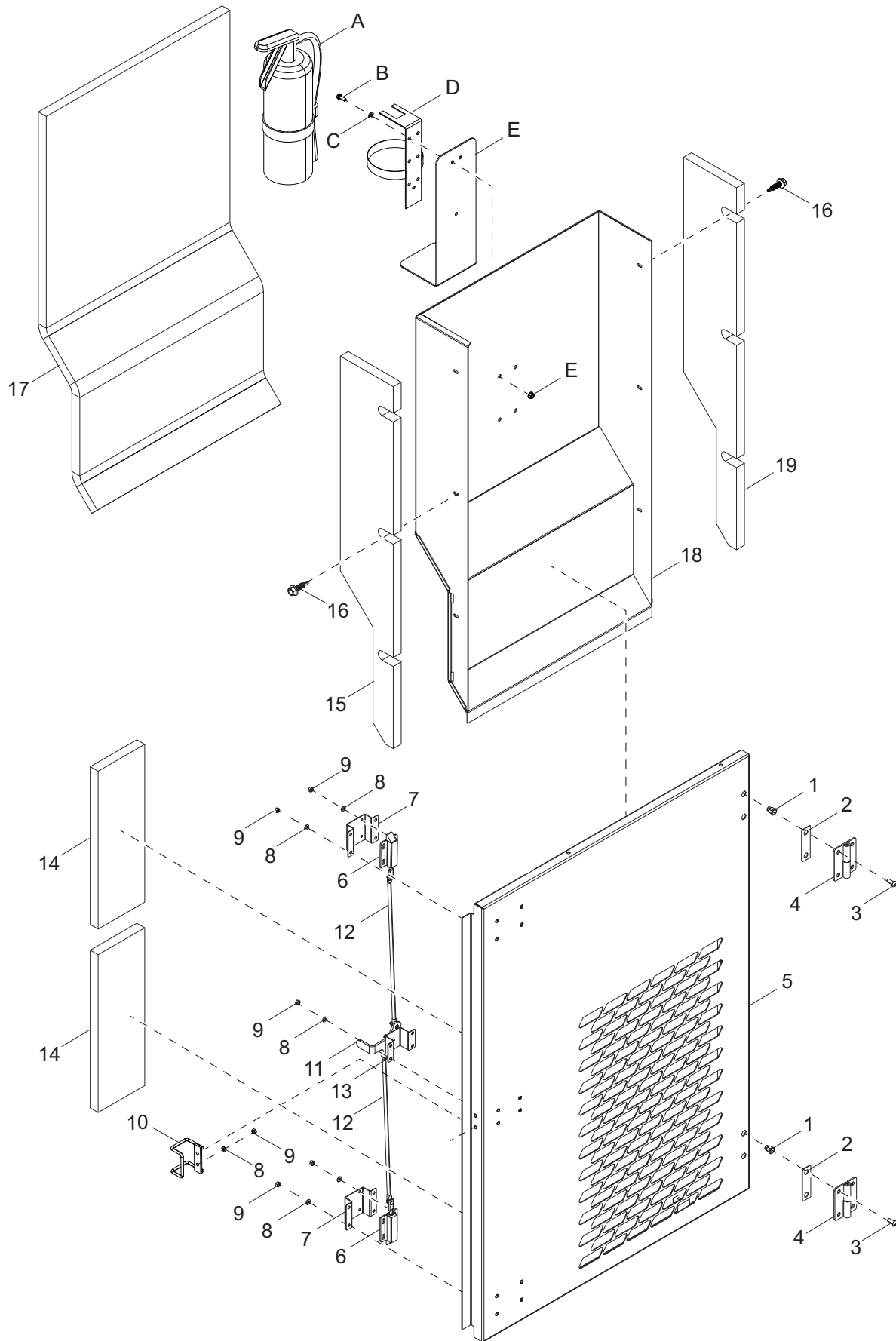
03719

**CONTROL DOOR ASSEMBLY**

---

| <b>Item</b> | <b>Part No.</b> | <b>Qty</b> | <b>Description</b>                   | <b>Notes</b> |
|-------------|-----------------|------------|--------------------------------------|--------------|
| 1           | A0000988435     | 1          | WLDMNT DOOR CONTROLS EXTERIOR SERIES |              |
| 2           | A0002056735     | 1          | HANDLE SINGLE POINT SS               |              |
| 3           | MK1019A03       | 1          | GASKET, LOCKING,1.05X.25X.06         |              |
| 4           | A0000984389     | 2          | HINGE ASSEMBLY                       |              |
| 5           | G049811         | 4          | M6 WASHER                            |              |
| 6           | 0B2236          | 4          | NUT HEX LOCK M6-1 NY INS             |              |
| 7           | 0J4525          | 4          | SCREW PFHM M6-1.0 X 16               |              |
| 8           | G078606         | 4          | SCREW PPHMS M6-1.0 X 12              |              |
| 9           | A0000938706     | 1          | CONTROLS DOOR WINDOW                 |              |
| 10          | MK1019A02       | 1          | STRIP, LOCK WINDOW                   |              |

# VENTED DOOR ASSEMBLY - RIGHT



03720



## VENTED DOOR ASSEMBLY - RIGHT

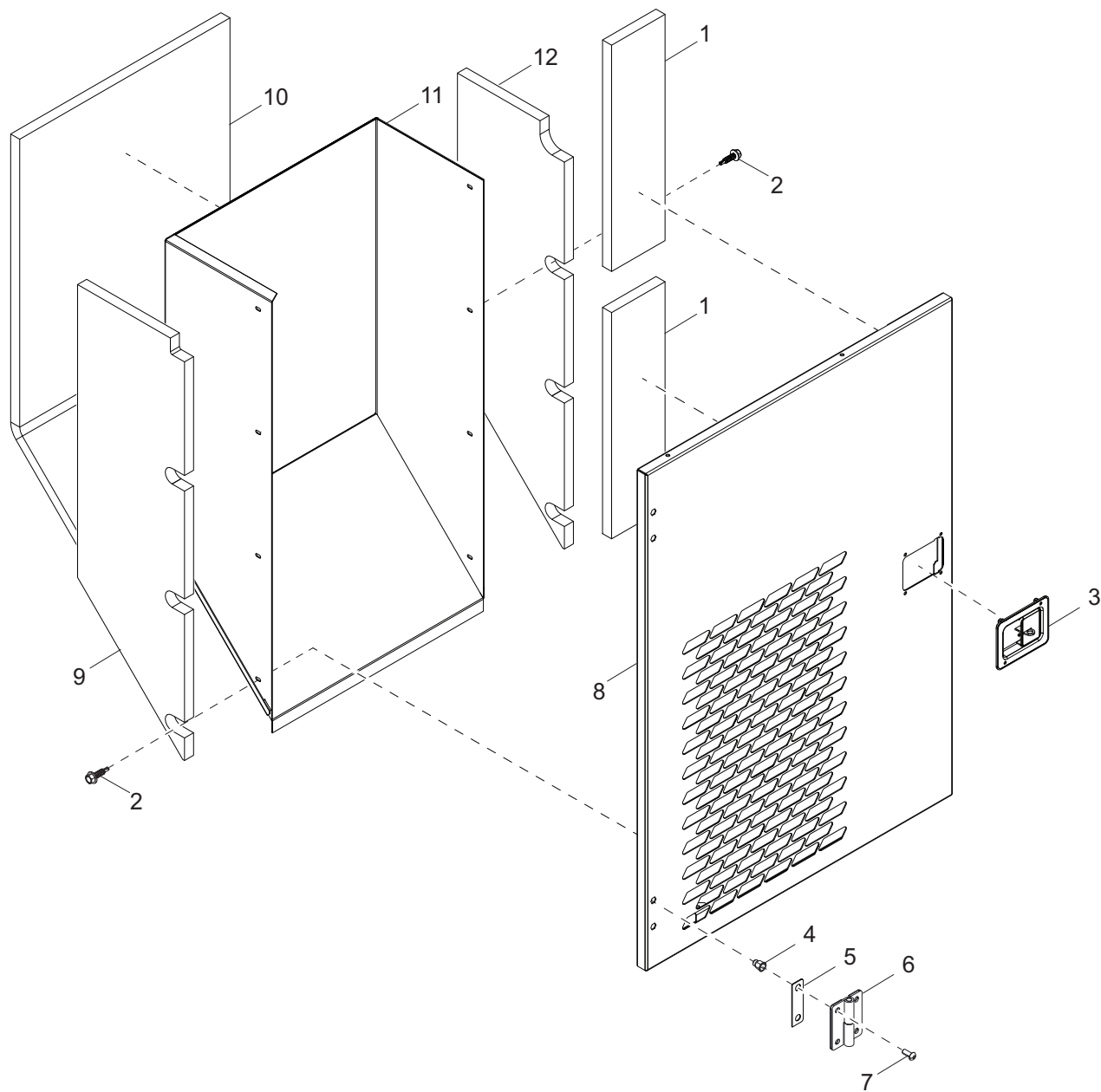
| Item | Part No.    | Qty | Description                        | Notes |
|------|-------------|-----|------------------------------------|-------|
| 1    | 0A8540      | 4   | NUT LOCK TRIC M8 X 1.25 Y/ZNC      |       |
| 2    | 0C2655      | 2   | GASKET,M8 HINGE                    |       |
| 3    | 0A5991      | 4   | SCREW BHSC M8-1.25 X 20 SSSS       |       |
| 4    | 0C3595      | 1   | ASSY M8 HINGE LH TOP               |       |
| 5    | A0001641337 | 1   | ST05 ENCL DOOR WLDMT DD NO HANDLE  |       |
| 6    | A0001003208 | 2   | ROD CAM 2 POINT LATCH              |       |
| 7    | A0000985452 | 2   | ST05 ENCL DOOR LATCH MNT 2P        |       |
| 8    | G049811     | 20  | WASHER FLAT M6                     |       |
| 9    | 0B2236      | 20  | NUT HEX LOCK M6-1 NY INS           |       |
| 10   | A0001003394 | 1   | STRIKER 2 POINT LATCH ZINC         |       |
| 11   | A0001004871 | 1   | HANDLE DD INSIDE SERIES            |       |
| 12   | A0001028125 | 2   | ROD 2 POINT LATCH 266.7MM LG       |       |
| 13   | A0000985395 | 1   | ST05 ENCL DOOR DD HANDLE MNT       |       |
| 14   | A0003704002 | 1   | INSUL FRONT DOOR BODY              |       |
| 15   | A0003704067 | 2   | INSUL DOOR REAR HANDLE             |       |
| 16   | 0C2454      | 6   | SCREW HWHT M6-1 X 12 N WA Z/JS     |       |
| 17   | A0003704063 | 1   | INSUL DOOR MID DUCT RH SERIES 3    |       |
| 18   | A0002057866 | 1   | AL05 ENCL DOOR DD NO HANDLE 1 DUCT |       |
| 19   | A0003704066 | 1   | INSUL DOOR MID DUCT LH SERIES 3    |       |

### OPTIONAL FEATURES

#### *FIRE EXTINGUISHER (if equipped):*

|    |             |   |                                  |                     |
|----|-------------|---|----------------------------------|---------------------|
| A  | 14509       | 1 | FIRE EXTINGUISHER - 5 LBS.       |                     |
| B  | G047411     | 3 | SCREW HHC M6-1.0 X 16 C8.8       |                     |
| C  | G049811     | 3 | WASHER FLAT M6                   |                     |
| D  | 14509       | 1 | FIRE EXTINGUISHER - 5 LB BRACKET | w/fire extinguisher |
| E  | A0002276701 | 1 | ST03 FIRE EXTINGUISHER BRACKET   |                     |
| F  | 0E8388      | 3 | NUT HEX FL WHIZ M6-1.0           |                     |
| -- | A0000467059 | 1 | DECAL FIRE EXTINGUISHER INSIDE   |                     |

# VENTED DOOR ASSEMBLY - LEFT

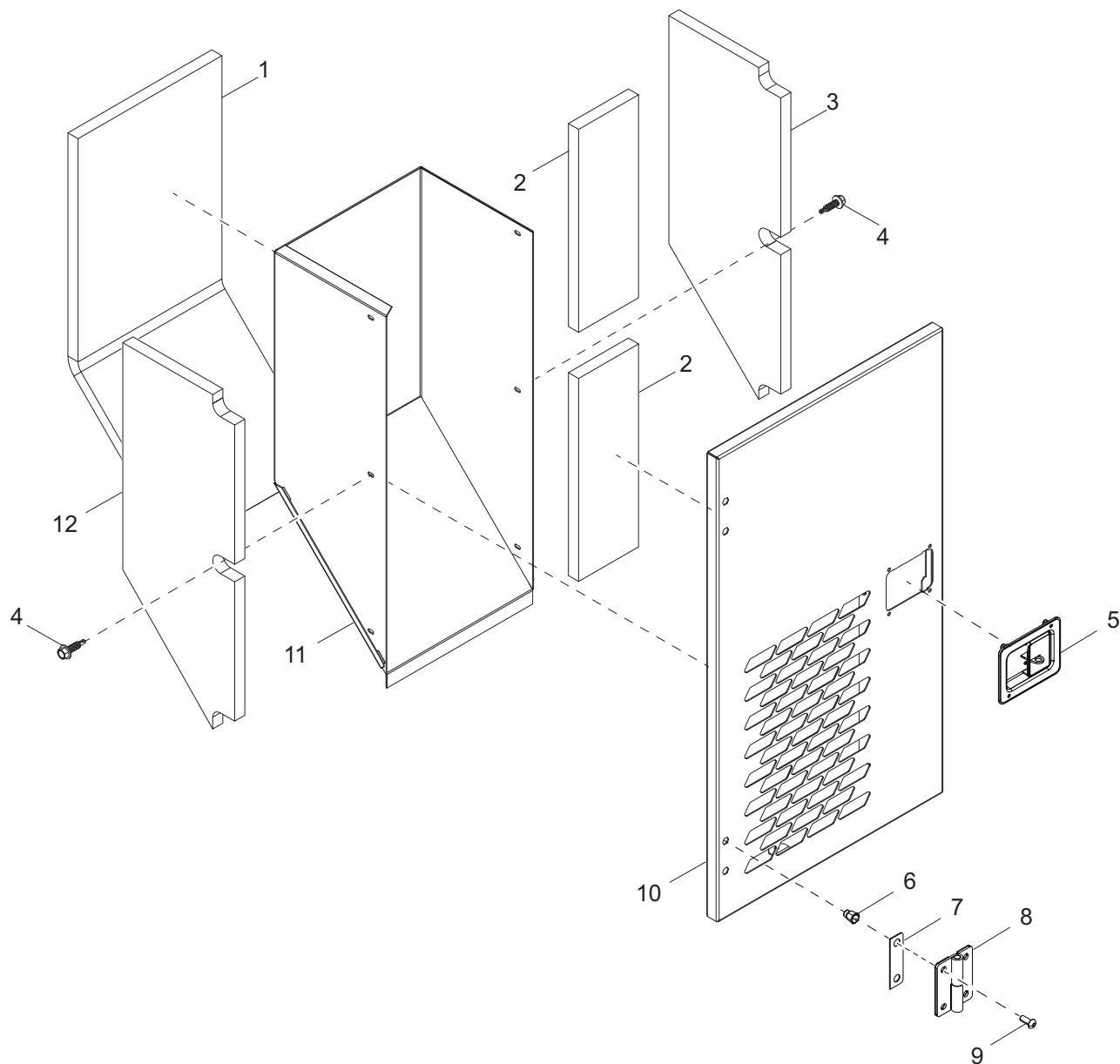


03749

## VENTED DOOR ASSEMBLY - LEFT

| Item | Part No.    | Qty | Description                           | Notes |
|------|-------------|-----|---------------------------------------|-------|
| 1    | A0003704005 | 1   | INSUL DOOR DD HANDLE SERIES 3         |       |
| 2    | 0C2454      | 6   | SCREW HWHT M6-1 X 12 N WA Z/JS        |       |
| 3    | A0002056735 | 1   | HANDLE SINGLE POINT ZPS               |       |
| 4    | 0A8540      | 4   | NUT LOCK TRIC M8 X 1.25 Y/ZNC         |       |
| 5    | 0C2655      | 2   | GASKET, M8 HINGE                      |       |
| 6    | 0C3595      | 2   | ASSY M8 HINGE LH TOP                  |       |
| 7    | 0A5991      | 4   | SCREW BHSC M8-1.25 X 20 SSSS          |       |
| 8    | A0002057874 | 1   | ST05 ENCL LH DOOR WLDMT HANDLE VENTED |       |
| 9    | A0003704073 | 1   | INSUL DOOR FRONT DUCT RH SERIES 3     |       |
| 10   | A0003704069 | 1   | INSUL DOOR FRONT DUCT SERIES 3        |       |
| 11   | A0002057880 | 1   | AL05 ENCL DUCT DOOR DD W/ HANDLE      |       |

# VENTED DOOR ASSEMBLY - LR

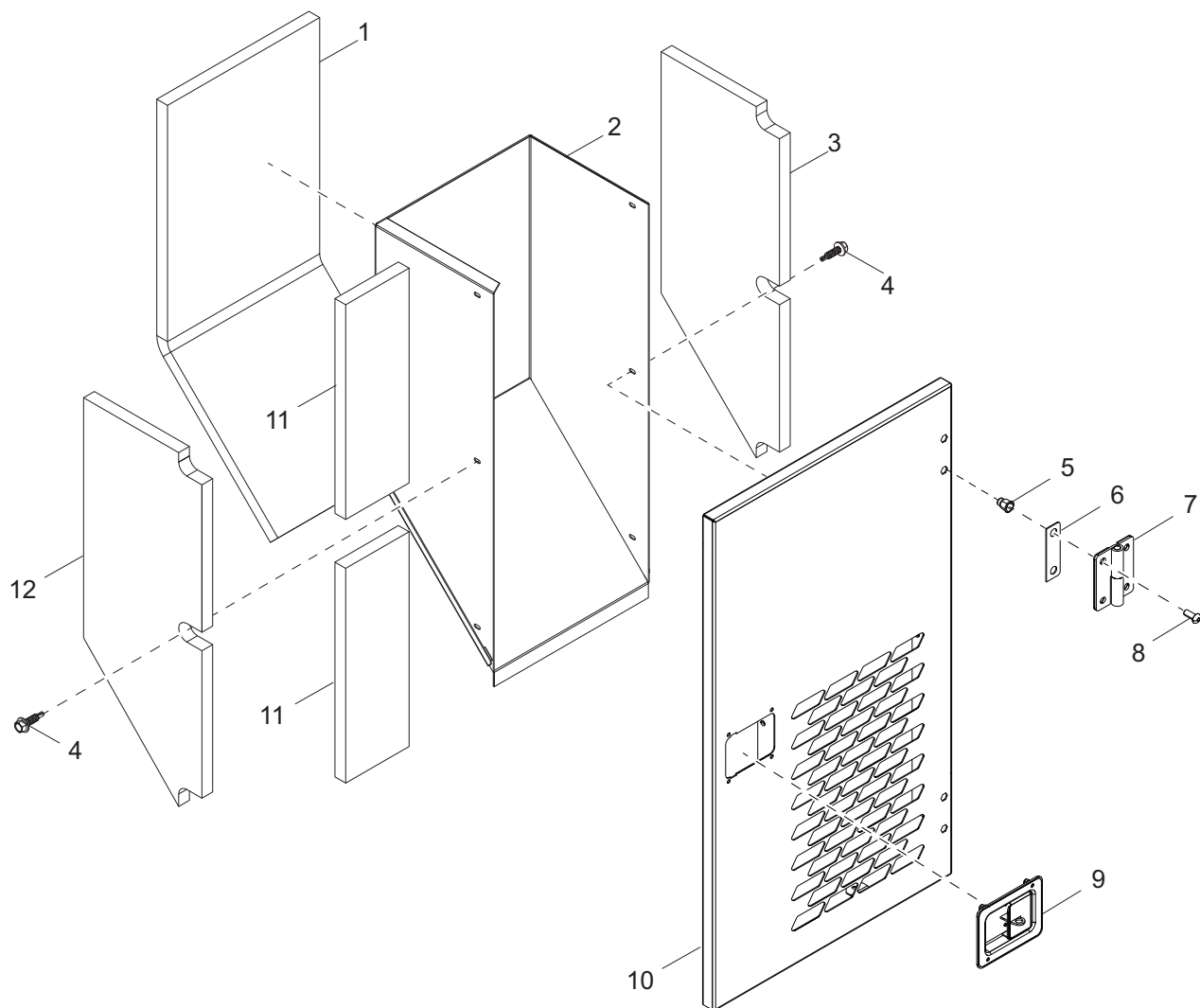


03721

## VENTED DOOR ASSEMBLY - LR

| Item | Part No.    | Qty | Description                      | Notes |
|------|-------------|-----|----------------------------------|-------|
| 1    | A0003704055 | 1   | INSUL DOOR REAR DUCT SERIES 3    |       |
| 2    | A0003704002 | 2   | INSUL DOOR REAR HANDLE SERIES 3  |       |
| 3    | A0003704056 | 1   | INSUL DOOR REAR DUCT LH SERIES 3 |       |
| 4    | 0C2454      | 6   | SCREW HWHT M6-1 X 12 N WA Z/JS   |       |
| 5    | A0002056735 | 1   | HANDLE SINGLE POINT SS           |       |
| 6    | 0A8540      | 4   | NUT LOCK TRIC M8 X 1.25 Y/ZNC    |       |
| 7    | 0C2655      | 2   | GASKET, M8 HINGE                 |       |
| 8    | 0C3595      | 2   | ASSY M8 HINGE LH TOP             |       |
| 9    | 0A5991      | 4   | SCREW BHSC M8-1.25 X 20 SSSS     |       |
| 10   | A0001642291 | 1   | ST05 ENCL DOOR WLDMT REAR        |       |
| 11   | A0002057887 | 1   | AL05 BAFFLE DOOR                 |       |
| 12   | A0003704061 | 1   | INSUL DOOR REAR DUCT RH SERIES 3 |       |

# VENTED DOOR ASSEMBLY - RR

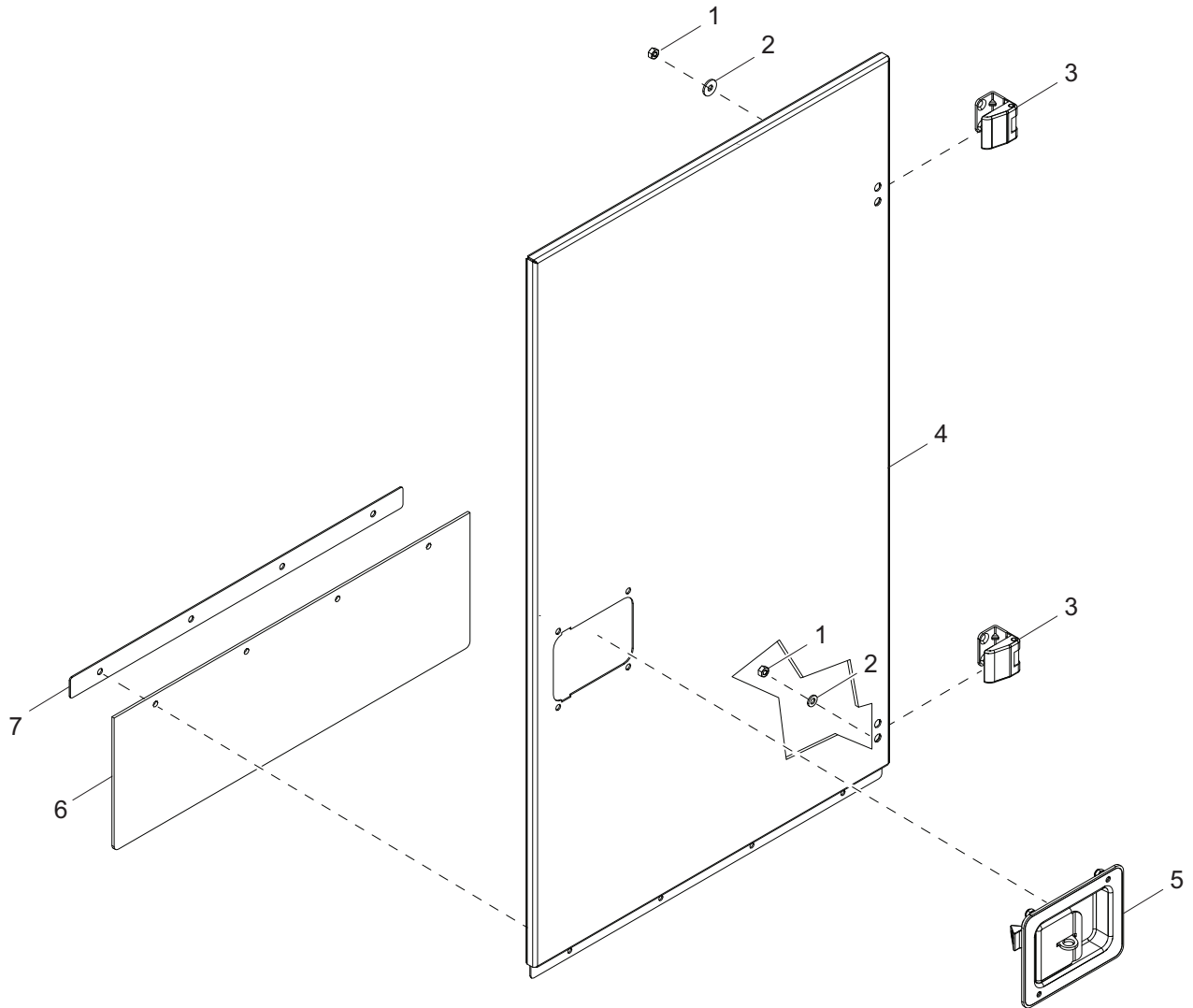


03722

## VENTED DOOR ASSEMBLY - RR

| Item | Part No.    | Qty | Description                      | Notes |
|------|-------------|-----|----------------------------------|-------|
| 1    | A0003704055 | 1   | INSUL DOOR REAR DUCT SERIES 3    |       |
| 2    | A0002057887 | 1   | AL05 BAFFLE DOOR                 |       |
| 3    | A0003704056 | 1   | INSUL DOOR REAR DUCT LH SERIES 3 |       |
| 4    | 0C2454      | 6   | SCREW HWHT M6-1 X 12 N WA Z/JS   |       |
| 5    | 0A8540      | 4   | NUT LOCK TRIC M8 X 1.25 Y/ZNC    |       |
| 6    | 0C2655      | 2   | GASKET, M8 HINGE                 |       |
| 7    | 0C3595      | 2   | ASSY M8 HINGE                    |       |
| 8    | 0A5991      | 4   | SCREW BHSC M8-1.25 X 20 SSSS     |       |
| 9    | A0002056735 | 1   | HANDLE SINGLE POINT SS           |       |
| 10   | A0002057889 | 1   | ST05 ENCL DOOR WLDMT RH REAR     |       |
| 11   | A0003704002 | 2   | INSUL DOOR REAR HANDLE SERIES 3  |       |
| 12   | A0003704061 | 1   | INSUL DOOR REAR DUCT RH SERIES 3 |       |

# DOOR ASSEMBLY - LUG BOX



03723

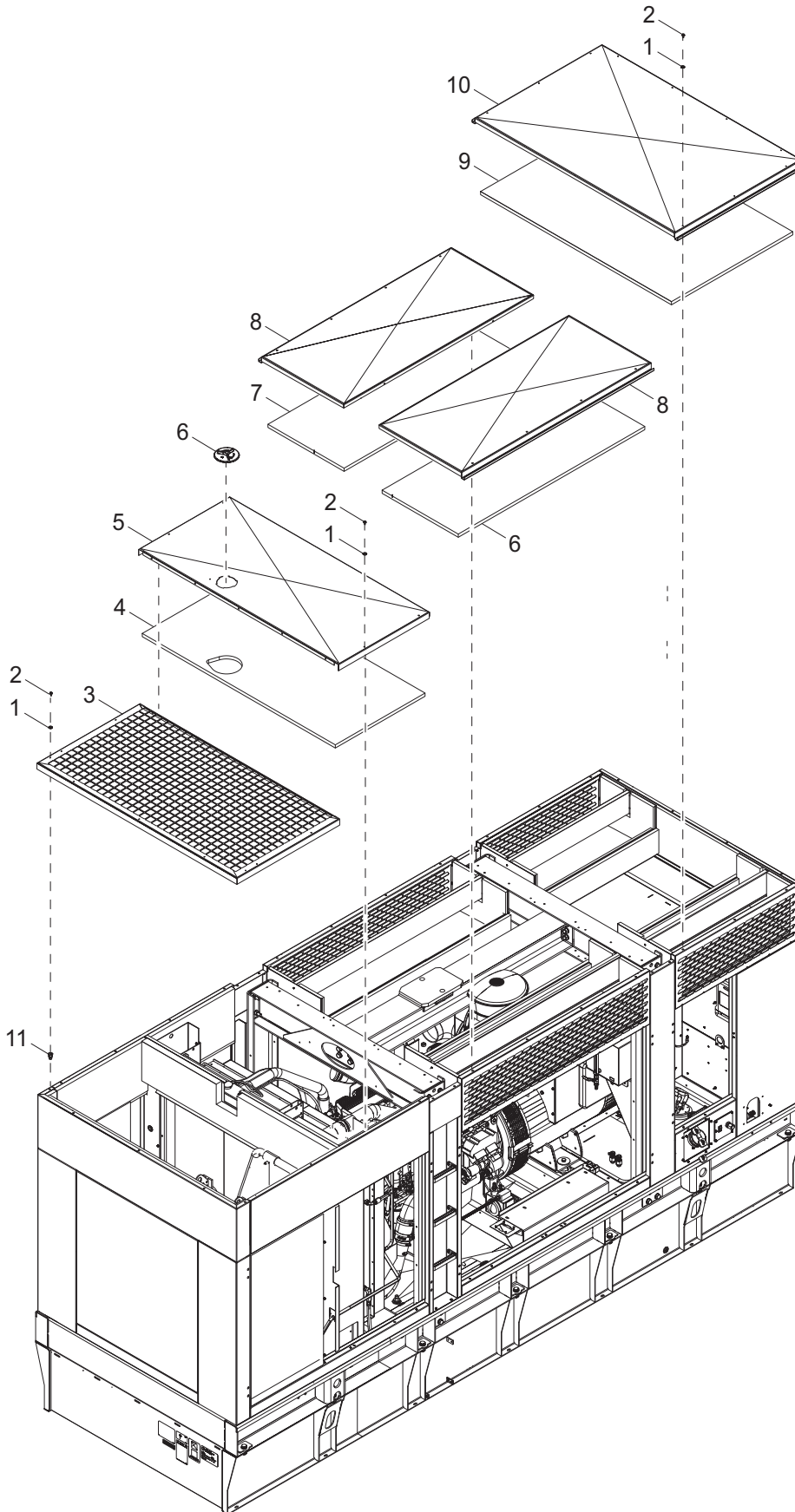


## DOOR ASSEMBLY - LUG BOX

---

| Item | Part No.    | Qty | Description                       | Notes |
|------|-------------|-----|-----------------------------------|-------|
| 1    | 0B2236      | 16  | NUT HEX LOCK M6-1 NY INS          |       |
| 2    | G049811     | 16  | WASHER FLAT M6                    |       |
| 3    | A0000984389 | 2   | HINGE ASSEMBLY                    |       |
| 4    | A0001404688 | 1   | ST05 WELDMENT DOOR EXT AC         |       |
| 5    | A0002056735 | 1   | HANDLE SINGLE POINT SS            |       |
| 6    | A0001970589 | 1   | FLAP DOOR                         |       |
| 7    | A0001970667 | 4   | ST05 DOOR FLAP CLAMP BAR SERIES 3 |       |

# ROOF ASSEMBLY



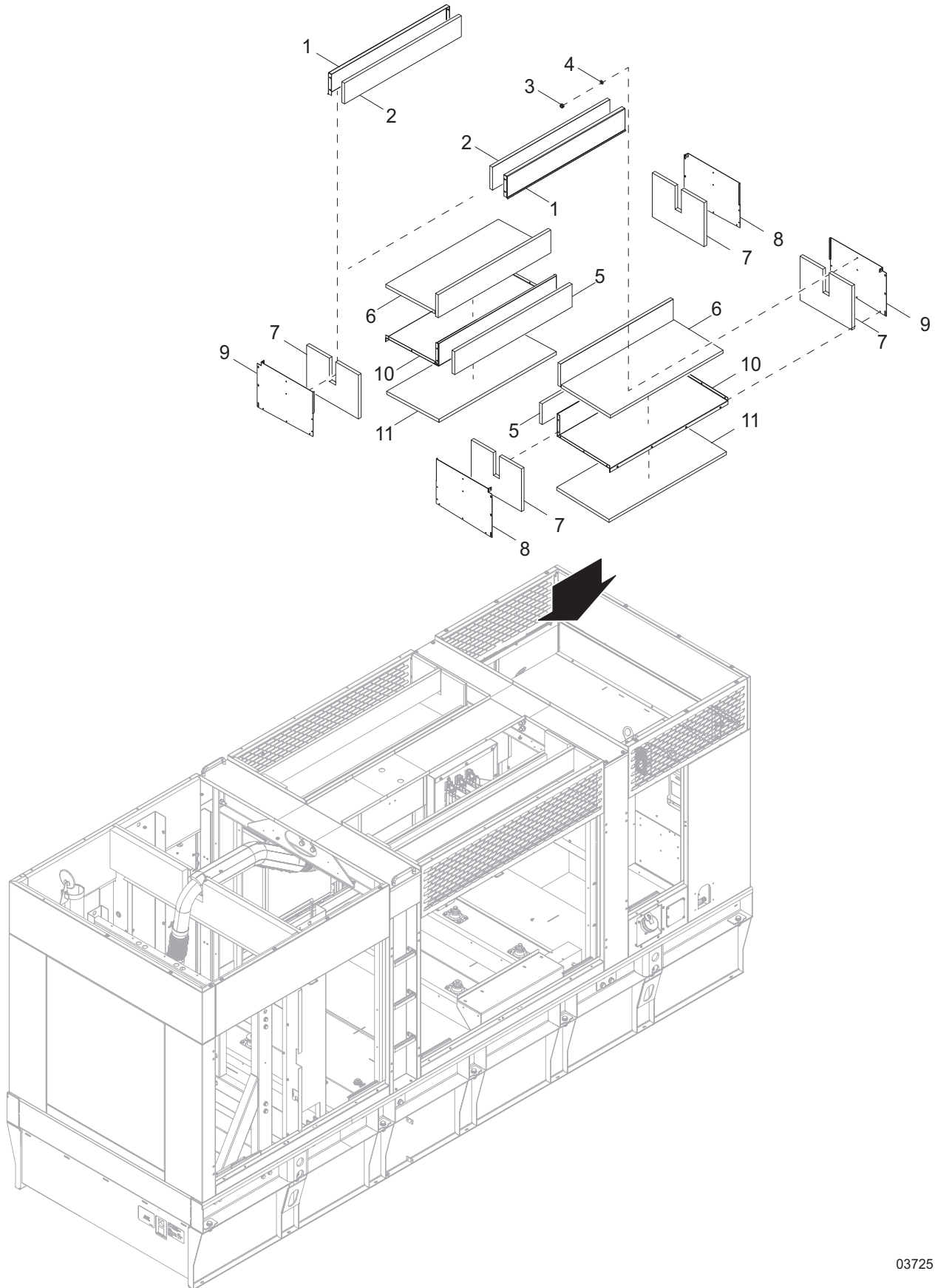
03724

## ROOF ASSEMBLY

---

| Item | Part No.    | Qty | Description                           | Notes |
|------|-------------|-----|---------------------------------------|-------|
| 1    | HW1053A00   | 35  | WASHER, BONDED SEALING, GALV          |       |
| 2    | 0K8641      | 35  | SCREW HHFC M6-1.0 X 20 NYL WA         |       |
| 3    | A0001649744 | 1   | ST05 ENCL ROOF EXHAUST GRATE SERIES 3 |       |
| 4    | A0003702789 | 1   | INSUL FRONT ROOF SERIES 3             |       |
| 5    | A0001642494 | 1   | ST05 ENCL ROOF FRONT RAD              |       |
| 6    | 0C2634SERV  | 1   | COVER,ACCESS GEN2000                  |       |
| 7    | A0003702786 | 1   | INSUL MID ROOF SERIES 3               |       |
| 8    | A0001642345 | 1   | ST05 ENCL ROOF MID SERIES 3           |       |
| 9    | A0003702784 | 1   | INSUL REAR ROOF SERIES 3              |       |
| 10   | A0001642238 | 1   | ST05 ENCL DUCT REAR ROOF SERIES 3     |       |
| 11   | G092120     | 35  | NUT LOCK TRIC M6 X 1.0 Y/ZNC          |       |

# REAR Baffle Assembly



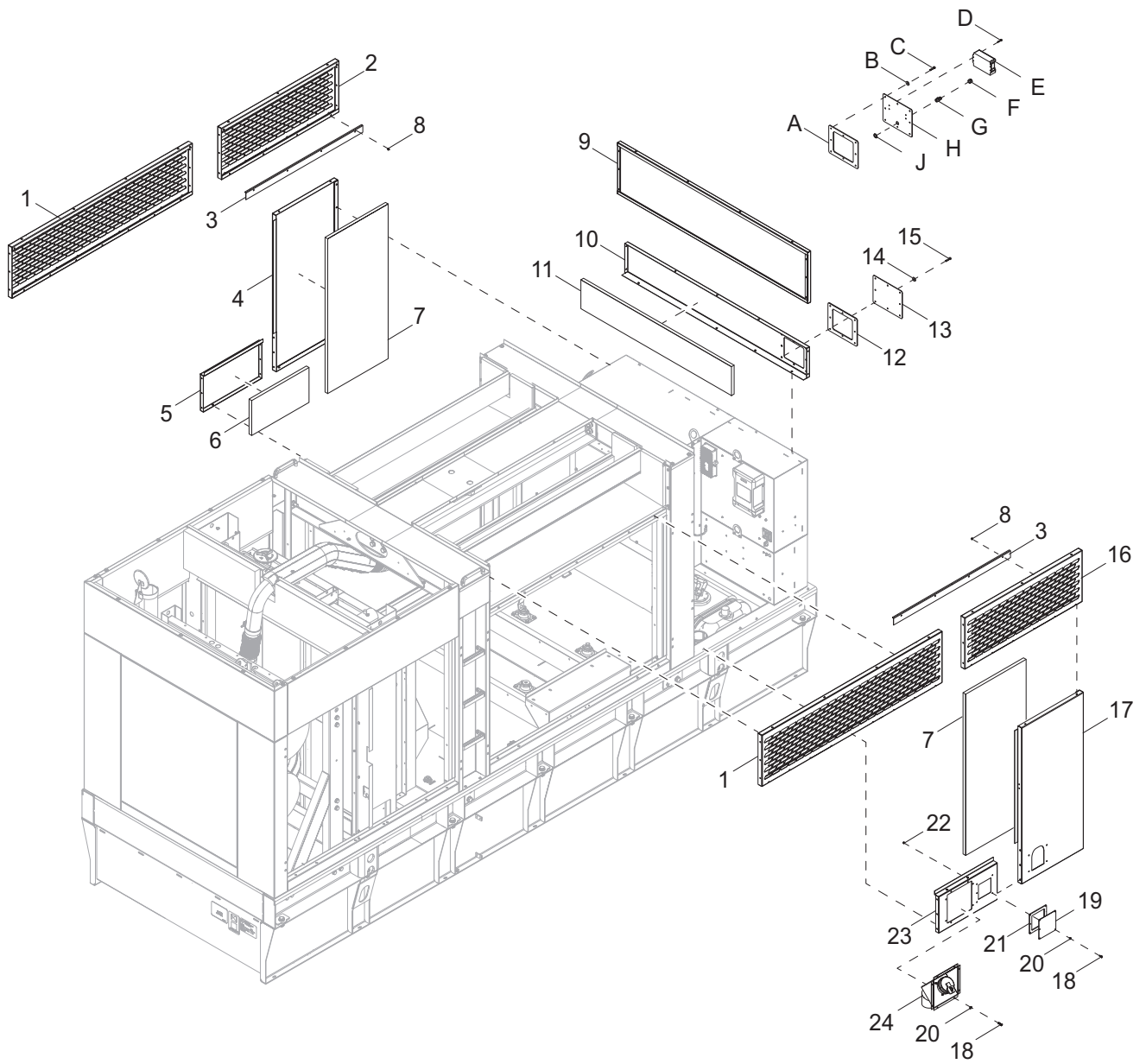
03725

## REAR BAFFLE ASSEMBLY

---

| Item | Part No.    | Qty | Description                               | Notes |
|------|-------------|-----|---|-------|
| 1    | A0001713850 | 2   | ST03 ENCL REAR DUCT BAFFLE                |       |
| 2    | A0003704027 | 2   | INSUL REAR DUCT BAFFLE SERIES 3           |       |
| 3    | 0B2236      | 7   | NUT HEX LOCK M6-1 NY INS                  |       |
| 4    | G049811     | 7   | WASHER FLAT M6                            |       |
| 5    | A0003704054 | 2   | INSUL REAR DUCT BOTTOM 1 OUTSIDE SERIES 3 |       |
| 6    | A0003704020 | 2   | INSUL REAR DUCT BOTTOM 2 OUTSIDE SERIES 3 |       |
| 7    | A0003704015 | 4   | INSUL DUCT SIDE INSIDE SERIES 3           |       |
| 8    | A0001713844 | 1   | ST03 ENCL DUCT LH                         |       |
| 9    | A0001713847 | 1   | ST03 ENCL DUCT RH                         |       |
| 10   | A0001713849 | 2   | ST03 ENCL REAR DUCT BOTT                  |       |
| 11   | A0001706973 | 2   | INSUL REAR DUCT BTTM 2 OUTSIDE SERIES 3   |       |

# REAR PANEL ASSEMBLY



03869

## REAR PANEL ASSEMBLY

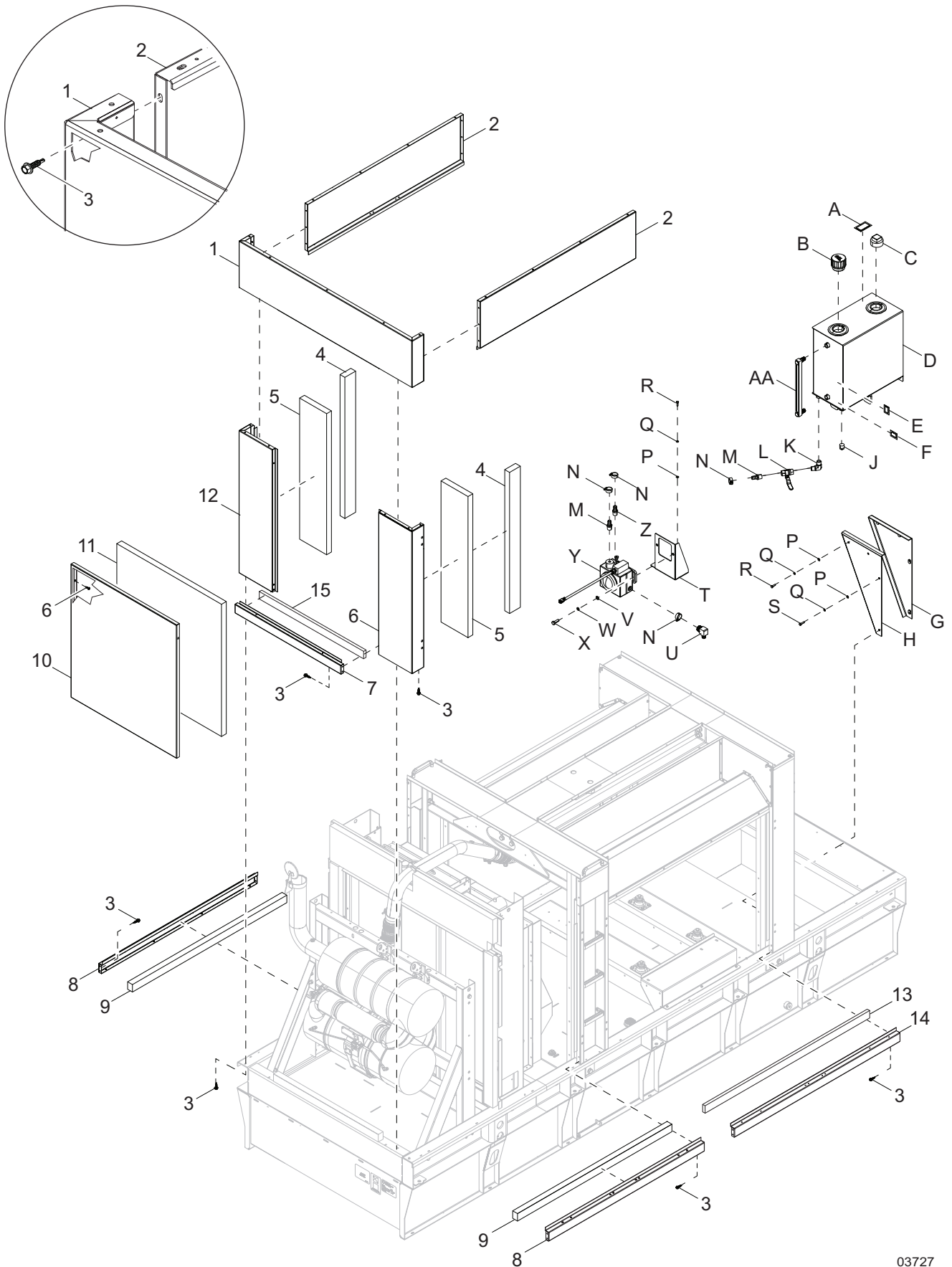
| Item | Part No.    | Qty | Description                              | Notes |
|------|-------------|-----|--|-------|
| 1    | A0001713837 | 2   | ST05 ENCL SIDE MID VENTED                |       |
| 2    | A0001713839 | 1   | ST05 ENCL SIDE RH VENTED                 |       |
| 3    | A0001638840 | 2   | ST05 ENCL DOOR SEAL PLATE REAR           |       |
| 4    | A0001638844 | 1   | ST05 ENCL CORNER REAR RH                 |       |
| 5    | A0001641341 | 1   | ST05 ENCL SIDE REAR DOOR BLANK           |       |
| 6    | A0003702792 | 1   | INSUL REAR SIDE RAIL SERIES 3            |       |
| 7    | A0003702799 | 2   | INSUL REAR CORNER 1 SERIES 3             |       |
| 8    | 0C2454      | 8   | SCREW HWHT M6-1 X 16 N WA Z/JS           |       |
| 9    | A0001713836 | 1   | ST05 ENCL REAR BLANK PANEL               |       |
| 10   | A0001642224 | 1   | ST05 ENCL REAR FILLER                    |       |
| 11   | A0003702797 | 1   | INSUL REAR FILLER SERIES 3               |       |
| 12   | A0000389488 | 1   | GASKET, NO TELEMETRY COVER               |       |
| 13   | A0001958809 | 1   | ST05 PLATE NO ZTR                        |       |
| 14   | 60452       | 8   | WASHER, .313 FLAT 1.125/1.000 18-8 SS BO |       |
| 15   | 0G6131      | 8   | SCREW HHC M6-1.00 X 30 C8.8 FT           |       |
| 16   | A0001713838 | 1   | ST05 ENCL SIDE LH VENTED                 |       |
| 17   | A0001642500 | 1   | ST05 ENCL CORNER REAR LH                 |       |
| 18   | 61180       | 14  | SCREW, 10-32X.750 PAN PHIL 18-8 SS       |       |
| 19   | A0001979801 | 1   | ST05 BLOCK OFF AUX FILL SERIES 3         |       |
| 20   | 61222       | 14  | WASHER, #10 SEALING                      |       |
| 21   | 10000037021 | 1   | GASKET RUBBER SEAL EXT TANKS             |       |
| 22   | 61045       | 6   | NUT, 10-32 SFLG ZC                       |       |
| 23   | A0001641330 | 1   | ST05 ENCL SIDE REAR DOOR FUEL            |       |
| 24   | 10000019989 | 1   | ASSY - DIESEL FILL                       |       |

### OPTIONAL FEATURES

#### TELEMETRY (if equipped)

|   |             |   |  |
|---|-------------|---|--|
| A | A0000389488 | 1 | GASKET, NO TELEMETRY COVER                   |
| B | 60067       | 6 | WASHER, #10 FLAT .435/.060 18-8 SS           |
| C | 0G6131      | 6 | SCREW HHC M6-1.00 X 30 C8.8 FT               |
| D | 61180       | 4 | SCREW, 10-32X.750 PAN PHIL 18-8 SS           |
| E | A0000385540 | 1 | TELEMETRY ZTR M8 UR 7310MKII MODBUS          |
| F | 15861       | 1 | NUT, SPECIAL, .500 NPT LOCK                  |
| G | 15863       | 1 | STRAIN RLF, .50 NPT .260/546 ID, WT - TOP    |
| H | A0001956503 | 1 | ST05 PLATE ZTR                               |
| J | 15863       | 1 | STRAIN RLF, .50 NPT .260/546 ID, WT - BOTTOM |

# FRONT ENCLOSURE ASSEMBLY



03727



## FRONT ENCLOSURE ASSEMBLY

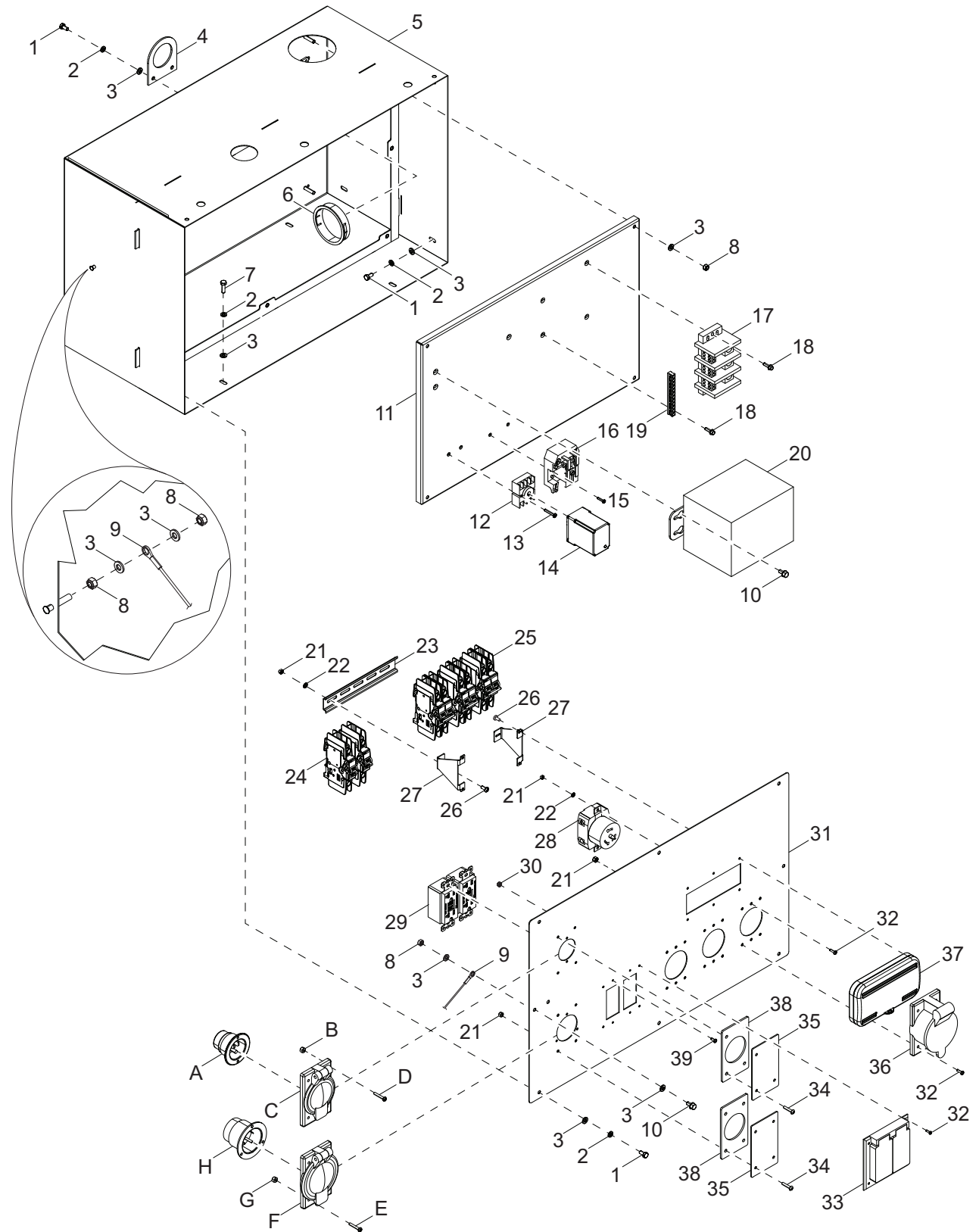
| Item | Part No.    | Qty | Description                    | Notes |
|------|-------------|-----|--------------------------------|-------|
| 1    | A0001641276 | 1   | ST05 ENCL FRONT DISCHARGE WRAP |       |
| 2    | A0001641313 | 2   | ST05 ENCL SIDE DISCHARGE PANEL |       |
| 3    | 0C2454      |     | SCREW HWHT M6-1 X 16 N WA Z/JS |       |
| 4    | A0003702775 | 2   | INSUL FRONT CORNER 2 SERIES 3  |       |
| 5    | A0003702773 | 2   | INSUL FRONT CORNER 1 SERIES 3  |       |
| 6    | A0001641269 | 1   | ST05 ENCL CORNER FRONT LH      |       |
| 7    | A0001642215 | 1   | ST05 ENCL SIDE FRONT           |       |
| 8    | A0001642232 | 2   | ST05 ENCL SIDE BOTT FRON PANEL |       |
| 9    | A0003702761 | 2   | INSUL FRONT SIDE RAIL SERIES 3 |       |
| 10   | A0001642208 | 1   | ST05 ENCL FRONT PANEL          |       |
| 11   | A0003704007 | 1   | INSUL FRONT PANEL SERIES 3     |       |
| 12   | A0001641293 | 1   | ST05 ENCL FRONT LH CORNER POST |       |
| 13   | A0001641316 | 2   | ST05 ENCL SIDE MID DOOR        |       |
| 14   | A0003702795 | 2   | INSUL MID SIDE RAIL SERIES 3   |       |
| 15   | A0003702765 | 1   | INSUL FRONT CROSS SERIES 3     |       |

### OPTIONAL FEATURES

#### *OIL LEVEL MAINTAINER KIT (if equipped)*

|    |             |   |                                  |
|----|-------------|---|----------------------------------|
| A  | A0002280767 | 1 | DECAL ISO ENGINE OIL READ MANUAL |
| B  | 61227       | 1 | CAP, OIL TANK VENT - 2.00 NPT    |
| C  | G028619     | 1 | PLUG PIPE 2" SQ HD ZINC          |
| D  | A0002009913 | 1 | ST03 WLDMNT 6.5 GAL. OIL TANK    |
| E  | 10000019336 | 1 | DECAL ISO ENGINE OIL READ MANUAL |
| F  | 10000027178 | 1 | DECAL ISO THREAD 1/2 NPT         |
| G  | A0002352793 | 1 | ST03 TANK SUPPORT BRACKET R      |
| H  | A0002352792 | 1 | ST03 TANK SUPPORT BRACKET L      |
| J  | 024310      | 1 | PLUG STD PIPE 1/2 STEEL SQ HD    |
| K  | A0002349392 | 1 | FITTING ELBOW 90 .500 MNPT       |
| L  | 0G5212A     | 1 | VALVE 1/2"                       |
| M  | G044118     | 3 | BARBED STR 1/2NPT X 5/8          |
| N  | G057823     | 3 | CLAMP HOSE #10 .56-1.06          |
| P  | 049811      | 8 | WASHER FLAT M6                   |
| Q  | 0J7513      | 8 | WASHER LOCK M6 CLEAR ZINC        |
| R  | G042568     | 4 | SCREW HHC M6-1.0 X 20 C8.8       |
| S  | G045757     | 4 | SCREW HHC M6-1.0 X 25 C8.8       |
| T  | A0002352794 | 1 | ST03 OIL FLOAT SWITCH BRACKET    |
| U  | 0D7022      | 1 | ADPTR BARB 90D 5/8 X 3/4NPT      |
| V  | G022145     | 2 | WASHER FLAT 5/16-M8 STEEL ZINC   |
| W  | G022129     | 2 | WASHER LOCK SPRING 5/16 ZC       |
| X  | G042911     | 2 | SCREW HHC M10-1.5 X 30 C8.8      |
| Y  | A0000676889 | 1 | ASSY, OIL LEVEL CONTROLLER       |
| Z  | G044117     | 2 | BARBED STR 3/8NPT X 5/8          |
| AA | A0002005164 | 1 | SIGHT GLASS                      |
| -- | A0002352795 | 1 | ST03 ADAPTER PLATE OIL EQUALIZER |
| -- | HW4046C72   | 1 | TEE, BLK, 1/2" NPT, YZ COATED    |
| -- | G031105     | 1 | NIPPLE PIPE 1/2NPT X 1-3/4       |
| -- | 055934X     | 1 | CLAMP STL/VNL .94 X .406 Z       |

# RECEPTACLE BOX ASSEMBLY



03838

## RECEPTACLE BOX ASSEMBLY

| Item | Part No.    | Qty | Description                                 | Notes |
|------|-------------|-----|---|-------|
| 1    | G043116     | 14  | SCREW HHC M6-1.0 X 12 G8.8                  |       |
| 2    | OJ7513      | 14  | WASHER LOCK M6 CLEAR ZINC                   |       |
| 3    | 049811      | 26  | WASHER FLAT M                               |       |
| 4    | A0001532949 | 1   | ST03 LIFTING EYE CONTROL BOX                |       |
| 5    | A0001050364 | 1   | ST03 WELDMENT, RECEPTACLE BOX               |       |
| 6    | A0000445781 | 1   | BUSHING SNAP SB-3.000-44                    |       |
| 7    | G048107     | 4   | SCREW HHC M6-1.0 X 25 C10.9                 |       |
| 8    | 0B2236      | 7   | NUT HEX LOCK M6-1 NY INS                    |       |
| 9    | 13926       | 1   | TETHER, CABLE STEEL - 14.50 LONG - .32 H    |       |
| 10   | G090388     | 3   | SCREW HHTT M6-1.0 X 12 ZINC                 |       |
| 11   | A0000976133 | 1   | ST03 BASE PANEL                             |       |
| 12   | 65644       | 1   | BASE, RELAY - 8 POS.                        |       |
| 13   | A0002966224 | 2   | SCREW HHTT M4-0.7 X 20 ZP                   |       |
| 14   | 66340       | 1   | RELAY, VOLTAGE SENSING (132IN 126OUT)       |       |
| 15   | 0C2323      | 2   | SCREW PPHT #6-32 X 5/8 ZYC                  |       |
| 16   | 65461       | 1   | RELAY, 30A DPDT 120VAC POWER                |       |
| 17   | 65356       | 1   | BLOCK, TERMINAL-3 POLE, BUSSMAN, 16023-3    |       |
| 18   | A0002969038 | 4   | SCREW HHTT M5-0.8 X 25 ZP                   |       |
| 19   | 14204       | 1   | KIT, GROUND BAR                             |       |
| 20   | 21487       | 1   | TRANS, 1.13:1 1-PHASE 500VA (STD BUCK)      |       |
| 21   | 0E6480      | 26  | NUT HEX LOCK M4-0.7 NY INS                  |       |
| 22   | G043180     | 2   | WASHER FLAT M4                              |       |
| 23   | 67129       | 1   | RAIL DIN - 35MM X 8.00 (8.3" LG)            |       |
| 24   | A0002863000 | 2   | BREAKER 20A SINGLE POLE                     |       |
| 25   | A0002863007 | 3   | BREAKER 50A 2 POLE                          |       |
| 26   | G020745     | 11  | SCREW PPHM M4-0.7 X 12                      |       |
| 27   | A0001981256 | 2   | ST03 SUPPORT, DIN RAIL                      |       |
| 28   | 18089       | 3   | RECEPTACLE, 240V/50A TWIST LOCK             |       |
| 29   | 0F6207      | 2   | OUTLET 20A GFCI 125V                        |       |
| 30   | 0D9784      | 5   | NUT HEX LOCK M3-0.5 NY INS                  |       |
| 31   | A0001050365 | 1   | ST03 PANEL, RECEPTACLES 120/20 X2 240/50 X3 |       |
| 32   | G080077     | 12  | SCREW PPHM M4-.7 X 20LG ZINC                |       |
| 33   | 15849       | 1   | COVER, RECEPTACLE - WEATHER PROOF 20A       |       |
| 34   | G090987     | 4   | SCREW PPHM M3-0.5 X 12                      |       |
| 35   | A0002010119 | 2   | ST03 RECEPTACLE BLOCK OFF PLATE             |       |
| 36   | 65467       | 3   | COVER, RECEPTACLE - WEATHER PROOF 50A       |       |
| 37   | A0001078522 | 1   | COVER, BREAKER WINDOW                       |       |
| 38   | A0002009723 | 2   | GASKET RECEPTACLE                           |       |
| --   | A0000970255 | 1   | HARN RECEPTACLE                             |       |

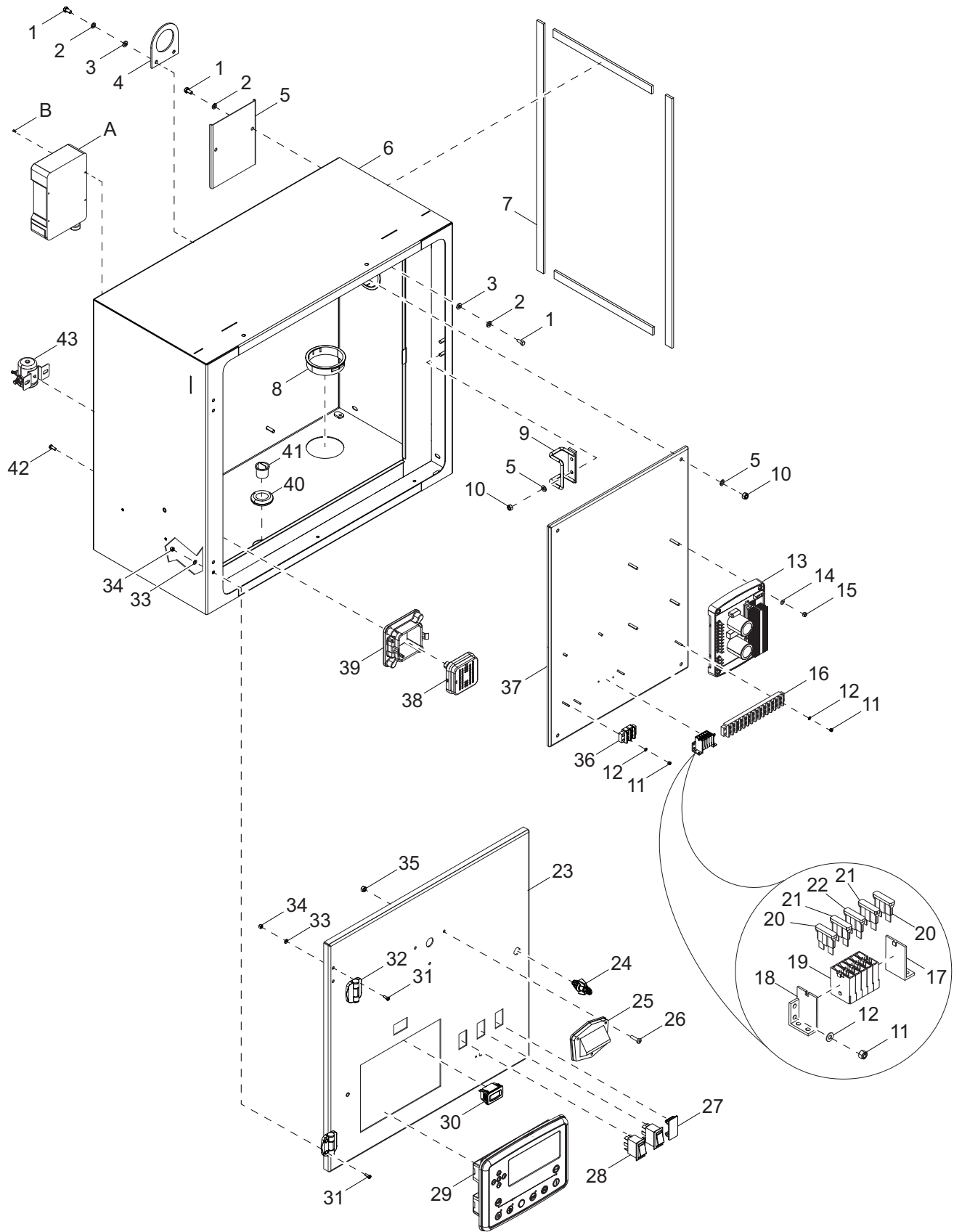
OPTIONAL FEATURES - *BATTERY CHARGER (if equipped)*

|   |         |   |   |
|---|---------|---|---|
| A | 65285   | 1 | RECEPTACLE, 120V/15A INLET FLANGE       |
| B | 0E6480  | 4 | NUT HEX LOCK M4-0.7 NY INS              |
| C | 36939   | 1 | COVER, RECEPTACLE - WP 20/30A TWIST-LOK |
| D | G075475 | 4 | SCREW PPHM M4-0.7 X 10                  |

OPTIONAL FEATURES - *SHORE POWER FOR COLD WEATHER FEATURES (if equipped)*

|   |         |   |   |
|---|---------|---|---|
| E | G075475 | 4 | SCREW PPHM M4-0.7 X 10                    |
| F | 65520   | 1 | COVER, RECEPTACLE - WEATHER PROOF 50A     |
| G | 0E6480  | 4 | NUT HEX LOCK M4-0.7 NY INS                |
| H | 68635   | 1 | RECEPTACLE, 125V/30A INLET(L5-30P) FLANGE |

# CONTROL BOX ASSEMBLY



03837

## CONTROL BOX ASSEMBLY

| Item | Part No.    | Qty    | Description                              | Notes |
|------|-------------|--------|--|-------|
| 1    | G043116     | 12     | SCREW HHC M6-1.0 X 12 G8.8               |       |
| 2    | OJ7513      | 12     | WASHER LOCK M6 CLEAR ZINC                |       |
| 3    | G049811     | 20     | WASHER FLAT M6                           |       |
| 4    | A0001532949 | 1      | ST03 LIFTING EYE CONTROL BOX             |       |
| 5    | A0002106262 | 1      | ST03 BLOCKOFF DSE CONTROL BOX SERIES 3   |       |
| 6    | A0001040158 | 1      | ST03 WELDMENT, POWERZONE CONTROL BOX     |       |
| 7    | 50230       | 2.0 ft | WEATHERSTRIPPING - .188 X .500           |       |
| 8    | A0000445781 | 2      | BUSHING SNAP SB-3.000-44                 |       |
| 9    | A0001073997 | 1      | ST11 STRIKER 2 POINT LATCH               |       |
| 10   | 0B2236      | 8      | NUT HEX LOCK M6-1 NY INS                 |       |
| 11   | 0D9784      | 6      | NUT HEX LOCK M3-0.5 NY INS               |       |
| 12   | G052777     | 6      | WASHER FLAT M3                           |       |
| 13   | CALL        | 1      | VOLTAGE REGULATOR DEEP SEA DSEA109       |       |
| 14   | G051713     | 4      | WASHER FLAT M5                           |       |
| 15   | G082025     | 4      | NUT HEX LOCK M5-0.8 NYINS ZINC           |       |
| 16   | 0C4167      | 1      | BLOCK TERM 20A 14 X 6 X 1100V            |       |
| 17   | 0F1264      | 1      | ADAPTER LH SIDE WICKMANN                 |       |
| 18   | 0F1263      | 1      | ADAPTER RH SIDE WICKMANN                 |       |
| 19   | 0F1262      | 5      | HOLDER FUSE WICKMANN ATO STYLE           |       |
| 20   | 0E7403A     | 2      | FUSE ATO TYPE 5 AMP (TAN)                |       |
| 21   | 0E7403C     | 2      | FUSE ATO TYPE 15 AMP (BLUE)              |       |
| 22   | 0E7403D     | 1      | FUSE ATO TYPE 20 AMP (YELLOW)            |       |
| 23   | A0002061581 | 1      | ST03 WELDMENT CONTROL BOX DOOR DSE       |       |
| 24   | 0L5052      | 1      | LATCH WING TURN W/NUT KEYED              |       |
| 25   | A0001519132 | 1      | ASSY CNTRL PNL LIGHT 12/24VDC            |       |
| 26   | G080077     | 3      | SCREW PPHM M4-.7 X 20LG ZINC             |       |
| 27   | 34439       | 1      | PLUG, PANEL SWITCH PLUG 1.91 X .96       |       |
| 28   | 68530       | 2      | SWITCH, ROCKER, DPDT, ON/ON              |       |
| 29   | CALL        | 1      | CONTROLLER DEEP SEA 8610 MKII HEAT DISP  |       |
| 30   | 36886       | 1      | METER, HOUR                              |       |
| 31   | 0K9154      | 8      | SCREW SHC LOW M4-0.7 X 10 G10.9          |       |
| 32   | HW2415A03   | 2      | HINGE,DETENT,NYLON,BLACK,120 DEG,170 DEG |       |
| 33   | G043180     | 14     | WASHER FLAT M4                           |       |
| 34   | 0E6480      | 14     | NUT HEX LOCK M4-0.7 NY INS               |       |
| 35   | 0F7806      | 3      | NUT HEX FL WHIZ M4-0.7                   |       |
| 36   | G048766     | 1      | BLOCK TERM 20A 2 X 6 X 1100V             |       |
| 37   | A0002098404 | 1      | ST03 BASE PANEL DEEP SEA                 |       |
| 38   | 10000022630 | 1      | CONN DEUTSCH RECP 60 POS DRB SERIES      |       |
| 39   | 10000022641 | 1      | CONN DEUTSCH INTERFACE FLANGE DRB        |       |
| 40   | 0D8741      | 1      | PLUG PLASTIC 3/4 NPT CNTR PULL           |       |
| 41   | G072252     | 1      | GROMMET 1.37 X .06 X 1.00                |       |
| 42   | 0G3869      | 6      | SCREW PPPH HI-LO #10-16 X 1/             |       |
| 43   | G082982     | 1      | RELAY CONTACTOR 24VDC                    |       |

**OPTIONAL FEATURES - BATTERY CHARGER (if equipped)**

|    |             |   |   |
|----|-------------|---|---|
| A  | A0001524585 | 1 | BATTERY CHARGER AGM 2430 WHT            |
| B  | G075475     | 4 | SCREW PPHM M4-0.7 X 10                  |
| -- | 65285       | 1 | RECEPTACLE, 120V/15A INLET FLANGE       |
| -- | 36939       | 1 | COVER, RECEPTACLE - WP 20/30A TWIST-LOK |
| -- | 10000019229 | 1 | DECAL ISO READ MANUAL                   |

**Note:** To order replacement controller, contact Generac Mobile Products with unit serial number.



## BREAKER/LUG BOX ASSEMBLY

| Item | Part No.    | Qty | Description                         | Notes |
|------|-------------|-----|-------------------------------------|-------|
| 1    | A0001520284 | 1   | ST03 GEN CABLE RACEWAY CVR          |       |
| 2    | 0C2454      | 29  | SCREW HWHT M6-1 X 16 N WA Z/JS      |       |
| 3    | 0J0481M     | 3   | XFMR CURRENT 1600A W/O BRKT UL      |       |
| 4    | A0001404867 | 1   | ST03 ACCESS COVER AC BOX            |       |
| 5    | A0001516011 | 2   | ST03 LIFT EYE CONTROL BOX           |       |
| 6    | G049811     | 18  | WASHER FLAT M6                      |       |
| 7    | 0J7513      | 29  | WASHER LOCK M6 CLEAR ZINC           |       |
| 8    | G043116     | 10  | SCREW HHC M6-1.0 X 12 G8.8          |       |
| 9    | A0001404871 | 1   | ST03 MNT AC BOX DOOR SWITCH         |       |
| 10   | G049813     | 6   | NUT HEX M6-1.0 G8 CLEAR ZINC        |       |
| 11   | 12632       | 1   | SWITCH, TRIGGER SAFETY, N.O. & N.C. |       |
| 12   | G092120     | 12  | NUT LOCK TRIC M6 X 1.0 Y/ZNC        |       |
| 13   | A0001073997 | 2   | ST11 STRIKER 2 POINT LATCH          |       |
| 14   | A0005692133 | 1   | BREAKER 1600A 3PH                   |       |
| --   | A0004897130 | 1   | BREAKER 1600A 3PH MOTORIZED         |       |
| 15   | G038750     | 4   | SCREW HHC M6-1.0 X 30 C8.8          |       |
| 16   | A0001404879 | 1   | ST03 DOOR INNER BREAKER             |       |
| 17   | G086863     | 6   | SCREW HHC M5-0.8 X 16 SS            |       |
| 18   | G080857     | 12  | WASHER FLAT M5 SS                   |       |
| 19   | 30645       | 1   | PANEL, EMERGENCY STOP               |       |
| 20   | A0001404863 | 1   | ST03 SUBPLATE E-STOP AC BOX MDE570  |       |
| 21   | A0001541354 | 1   | GASKET EMERGENCY STOP PANEL         |       |
| 22   | 65470       | 1   | SWITCH, E-STOP OPERATOR             |       |
| 23   | A0003702750 | 1   | GASKET EMERGENCY STOP               |       |
| 24   | G082025     | 6   | NUT HEX LOCK M5-0.8 NYINS ZINC      |       |
| 25   | G045771     | 8   | NUT HEX M8-1.25 G8 CLEAR ZINC       |       |
| 26   | 0D3919      | 8   | WASHER LOCK M8 ZINC                 |       |
| 27   | G058653     | 8   | WASHER FLAT M8                      |       |
| 28   | G055173     | 4   | SCREW HHC M8-1.25 X 20 C10.9        |       |
| 29   | A0001380299 | 1   | GROMMET 2.375 X .188 X 2            |       |
| 30   | G042568     | 4   | SCREW HHC M6-1.0 X 20 C8.8          |       |
| 31   | 023484D     | 1   | BUSHING SNAP SB-875-11              |       |
| 32   | 0A1495      | 4   | SCREW HHTT M4-0.7 X 10 BP           |       |
| 33   | 0D2572      | 2   | FUSEBLOCK 30A 600V 3POS W/SQ        |       |
| 34   | 0F7806      | 4   | NUT HEX FL WHIZ M4-0.7              |       |
| 35   | A0001404662 | 1   | ST03 WLDMNT AC BOX MDE570           |       |
| 36   | A0001675711 | 1   | WIRE ASSY 4AWG 6IN 1/4 LUG          |       |
| 37   | A0001518680 | 1   | ST03 AC BOX RH ACCESS COVER         |       |
| 38   | A0001520282 | 1   | ST03 GEN CABLE RACEWAY              |       |
| 39   | A0002459789 | 1   | ASSY-OPTION-NO CAM-MDE570           |       |

### OPTIONAL FEATURES

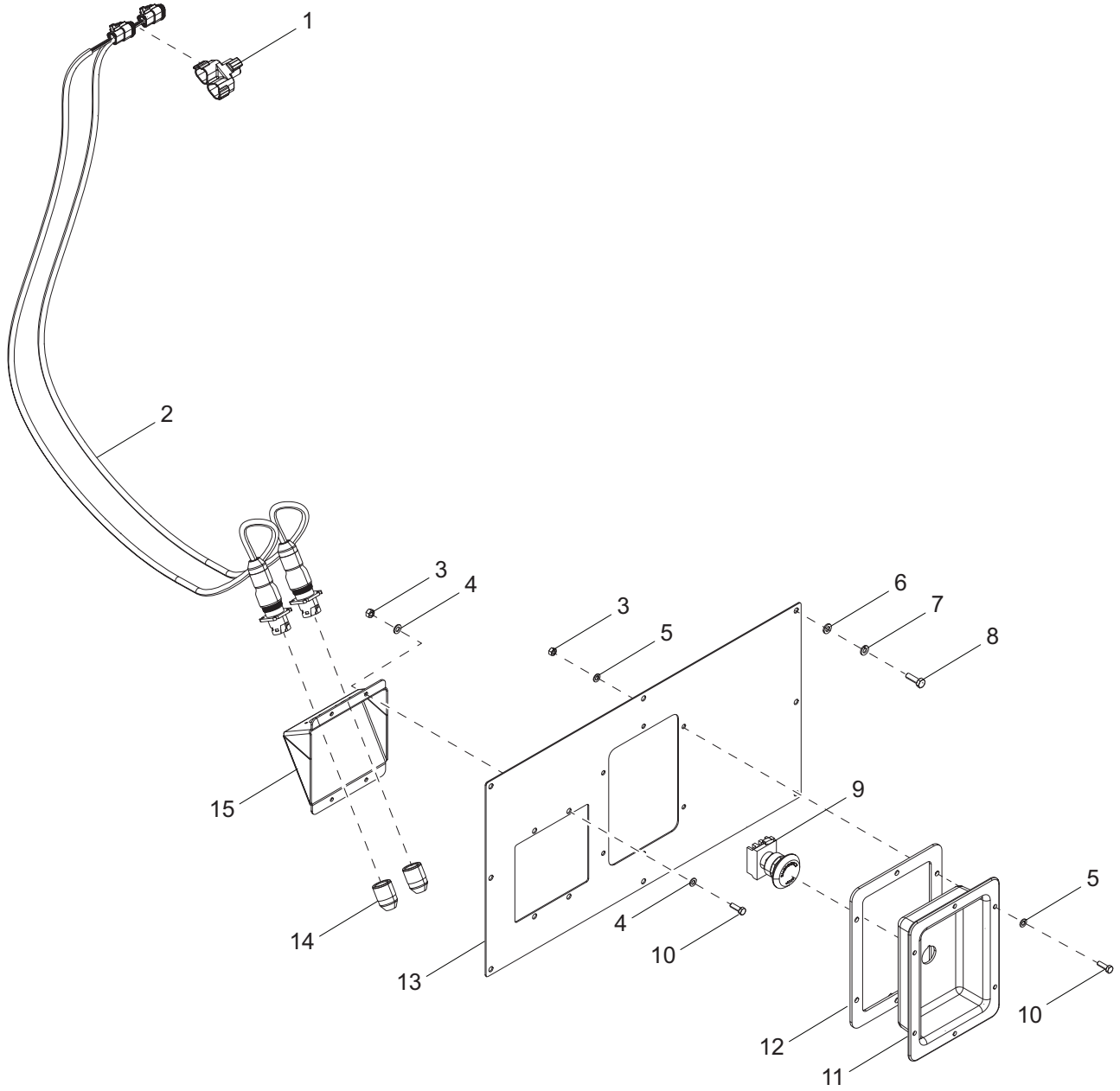
#### LUG PANEL ASSEMBLY - US OPTION (if equipped)

|   |             |   |                           |
|---|-------------|---|---------------------------|
| A | A0002459791 | 1 | ASSY-OPTION-CAM-US-MDE570 |
|---|-------------|---|---------------------------|

#### LUG PANEL ASSEMBLY - CANADA OPTION (if equipped)

|   |             |   |                               |
|---|-------------|---|-------------------------------|
| B | A0002459796 | 1 | ASSY-OPTION-CAM-CANADA-MDE570 |
|---|-------------|---|-------------------------------|

# PARALLELING OPTION



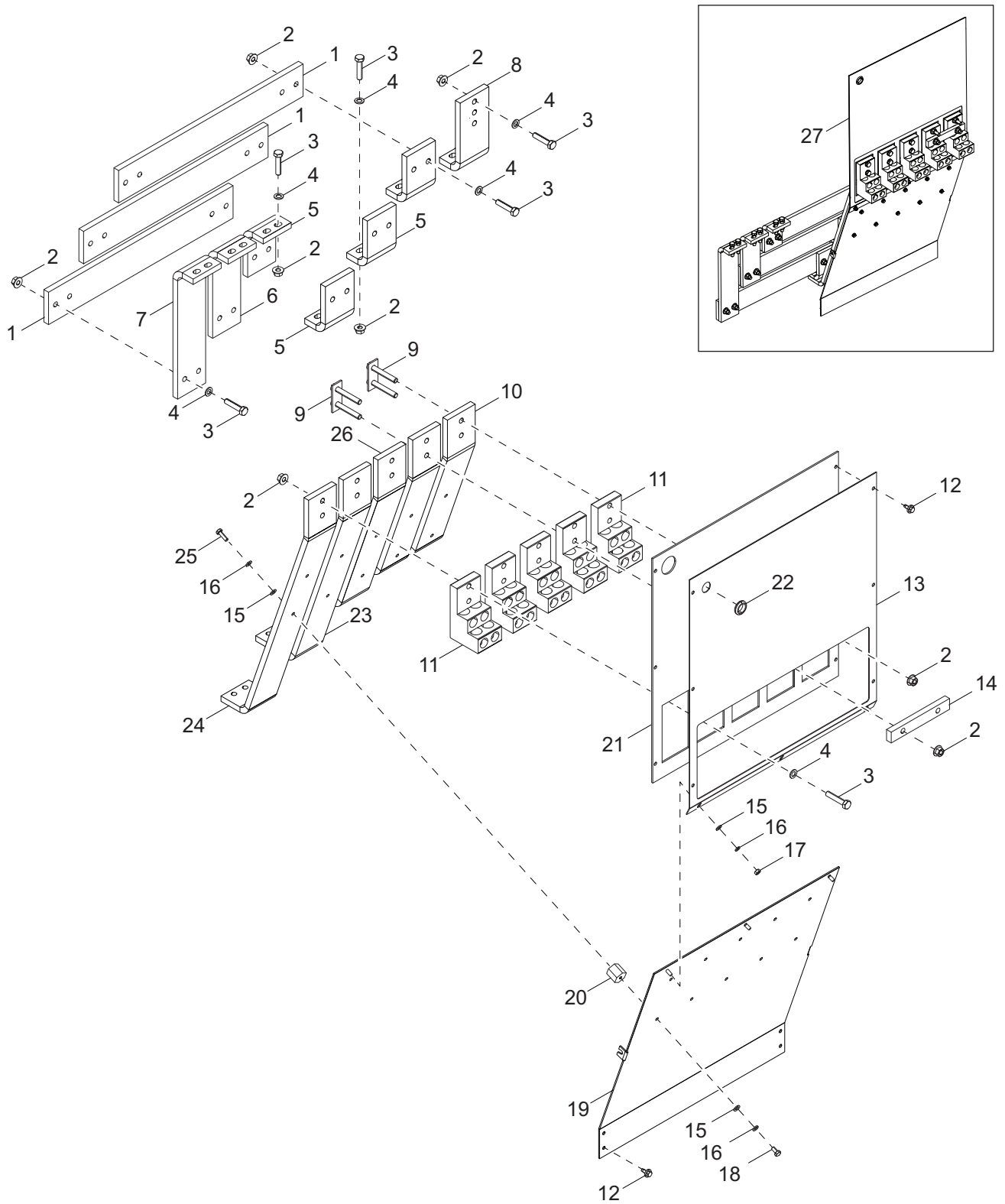
03836



## PARALLELING OPTION

| Item | Part No.    | Qty | Description                          | Notes |
|------|-------------|-----|--------------------------------------|-------|
| 1    | 0E0453J     | 1   | RECPT Y-CONNECTOR                    |       |
| 2    | A0002203184 | 2   | HARNESS PARALLELING DSE8610          |       |
| 3    | G082025     | 10  | NUT HEX LOCK M5-0.8 NYINS ZINC       |       |
| 4    | G051713     | 8   | WASHER FLAT M5                       |       |
| 5    | G080857     | 12  | WASHER FLAT M5 SS                    |       |
| 6    | G070007     | 8   | WASHER FLAT M6 SS                    |       |
| 7    | G070005     | 8   | WASHER LOCK M6 SS                    |       |
| 8    | G070001     | 8   | SCREW HHC M6-1.0 X 20 SS             |       |
| 9    | 65470       | 1   | SWITCH, E-STOP OPERATOR              |       |
| 10   | G086863     | 10  | SCREW HHC M5-0.8 X 16 SS             |       |
| 11   | 30645       | 1   | PANEL, EMERGENCY STOP                |       |
| 12   | A0003702750 | 1   | GASKET EMERGENCY STOP                |       |
| 13   | A0002105577 | 1   | ST03 SUBPLATE E-STOP AC BOX PARALLEL |       |
| 14   | 67811       | 2   | PLUG ASSY, RESISTOR MSC PARALLEL     |       |
| 15   | 10000016717 | 1   | PANEL - PARALLEL CONN                |       |
| --   | 10000013819 | 1   | DECAL PARALLELING OPTION             |       |

# LUG PANEL ASSEMBLY - STANDARD

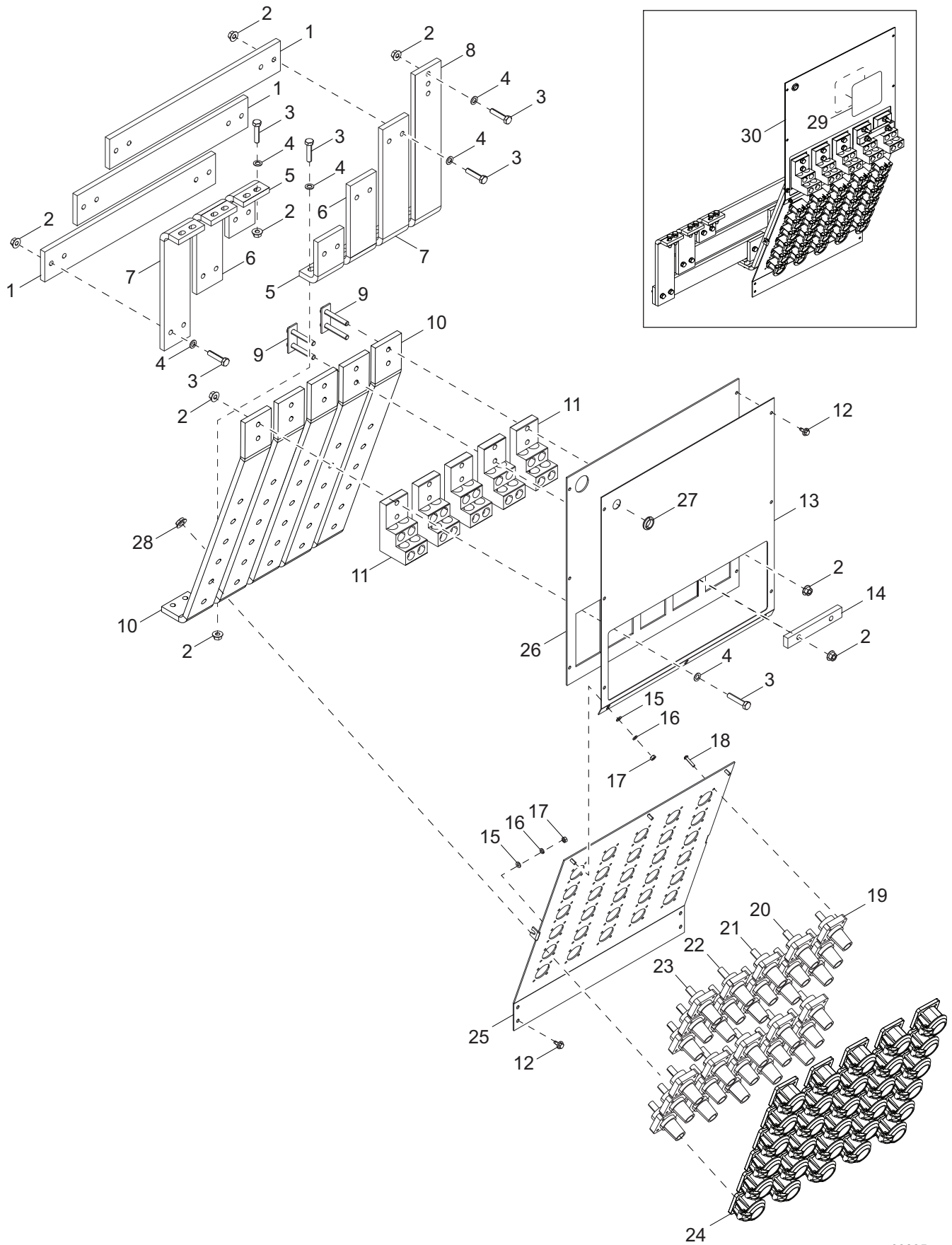


03731

## LUG PANEL ASSEMBLY- STANDARD

| Item | Part No.    | Qty | Description                          | Notes |
|------|-------------|-----|--------------------------------------|-------|
| 1    | A0001404842 | 3   | BUSBAR CONN CAM                      |       |
| 2    | G052859     | 32  | NUT TOP LOCK FL M10-1.50             |       |
| 3    | G064416     | 32  | SCREW HHC M10-1.5 X 45 C8.8 FT       |       |
| 4    | G070264     | 32  | WASHER FLAT M10                      |       |
| 5    | A0001404845 | 2   | BUSBAR C CAM                         |       |
| 6    | A0001404843 | 2   | BUSBAR A CAM                         |       |
| 7    | A0001404844 | 2   | BUSBAR B CAM                         |       |
| 8    | A0001516855 | 1   | BUSBAR B NO CAM                      |       |
| 9    | A0001540490 | 2   | ST03 WELDMENT BOLT RETAINER M10X65   |       |
| 10   | A0001516854 | 2   | BUSBAR A NO CAM                      |       |
| 11   | 65303       | 5   | LUG, TERMINAL QUAD #2-600MCM 2 HOLE  |       |
| 12   | 0C2454      | 10  | SCREW HWHT M6-1 X 16 N WA Z/JS       |       |
| 13   | A0001404840 | 1   | ISOLATOR CAM LOCK MOUNT              |       |
| 14   | A0001404846 | 1   | BUSBAR BONDING CAM                   |       |
| 15   | G049811     | 25  | WASHER FLAT M6                       |       |
| 16   | 0J7513      | 25  | WASHER LOCK M6 CLEAR ZINC            |       |
| 17   | G049813     | 3   | NUT HEX M6-1.0 G8 CLEAR ZINC         |       |
| 18   | G043116     | 10  | SCREW HHC M6-1.0 X 12 G8.8           |       |
| 19   | A0001516707 | 1   | AL03 MNT CUSTOMER CONNECT BOTT       |       |
| 20   | A0001540492 | 10  | STANDOFF ISOLATOR 25MM HEX X 25LG M6 |       |
| 21   | A0001516721 | 1   | ST0R MNT CUSTOMER CONNECT TOP        |       |
| 22   | G038057     | 1   | GROMMET 7/8 X 1/16 X 3/4             |       |
| 23   | A0001516858 | 1   | BUSBAR D NO CAM                      |       |
| 24   | A0001516859 | 1   | BUSBAR E NO CAM                      |       |
| 25   | G042568     | 10  | SCREW HHC M6-1.0 X 20 C8.8           |       |
| 26   | A0001516856 | 1   | BUSBAR C NO CAM                      |       |
| 27   | A0002459789 | 1   | ASSY-OPTION-NO CAM-MDE570            |       |

# LUG PANEL ASSEMBLY - OPTION US

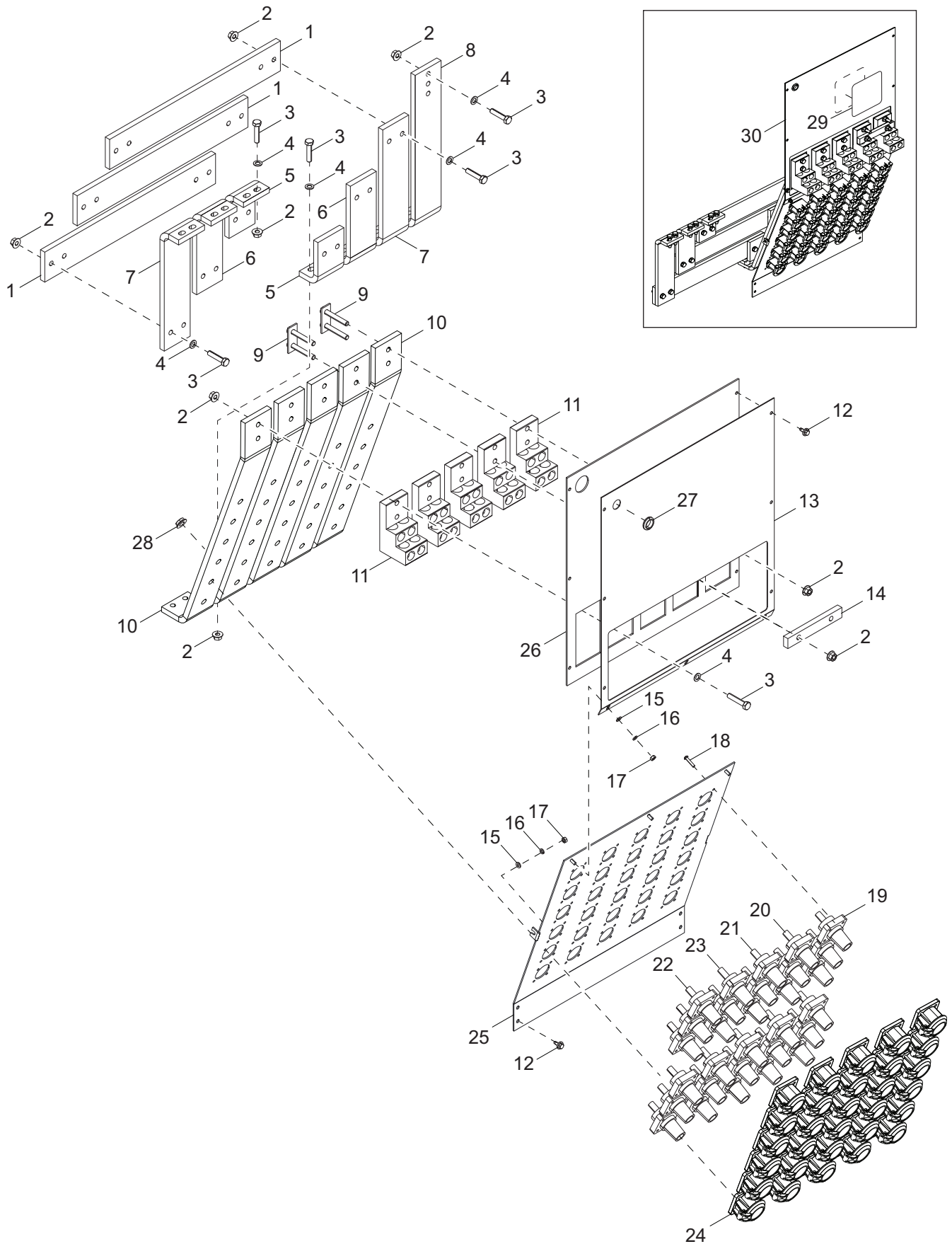


03835

## LUG PANEL ASSEMBLY- OPTION US

| Item | Part No.    | Qty | Description                              | Notes |
|------|-------------|-----|--|-------|
| 1    | A0001404842 | 3   | BUSBAR CONN CAM                          |       |
| 2    | G052859     | 32  | NUT TOP LOCK FL M10-1.50                 |       |
| 3    | G064416     | 32  | SCREW HHC M10-1.5 X 45 C8.8 FT           |       |
| 4    | G070264     | 32  | WASHER FLAT M10                          |       |
| 5    | A0001404845 | 2   | BUSBAR C CAM                             |       |
| 6    | A0001404843 | 2   | BUSBAR A CAM                             |       |
| 7    | A0001404844 | 2   | BUSBAR B CAM                             |       |
| 8    | A0001519166 | 1   | BUSBAR H CAM                             |       |
| 9    | A0001540490 | 2   | ST03 WELDMNT BOLT RETAINER M10X65        |       |
| 10   | A0001404841 | 5   | BUSBAR CAM LOCK                          |       |
| 11   | 65303       | 5   | LUG, TERMINAL QUAD #2-600MCM 2 HOLE      |       |
| 12   | 0C2454      | 10  | SCREW HWHT M6-1 X 16 N WA Z/JS           |       |
| 13   | A0001516721 | 1   | ST03 MNT CAM LOCK TOP                    |       |
| 14   | A0001404846 | 1   | BUSBAR BONDING CAM                       |       |
| 15   | G049811     | 5   | WASHER FLAT M6                           |       |
| 16   | 0J7513      | 5   | WASHER LOCK M6 CLEAR ZINC                |       |
| 17   | G049813     | 5   | NUT HEX M6-1.0 G8 CLEAR ZINC             |       |
| 18   | 0C8522      | 72  | SCREW PPHM M5-0.8 X 25                   |       |
| 19   | 66041       | 6   | CONN, CAM LOCK FLANGE FEMALE, 400A, GRN  |       |
| 20   | 66040       | 6   | CONN, CAM LOCK FLANGE FEMALE, 400A, WHIT |       |
| 21   | 65553       | 6   | CONN, CAM LOCK FLANGE FEMALE, 400A, BLUE |       |
| 22   | 65552       | 6   | CONN, CAM LOCK FLANGE FEMALE, 400A, RED  |       |
| 23   | 65551       | 6   | CONN, CAM LOCK FLANGE FEMALE, 400A, BLK  |       |
| 24   | A0002704314 | 30  | COVER CAMLOCK CLEAR                      |       |
| 25   | A0001404838 | 1   | AL03 MNT CAM LOCK                        |       |
| 26   | A0001404840 | 1   | ISOLATOR CAM LOCK MOUNT                  |       |
| 27   | G038057     | 1   | GROMMET 7/8 X 1/16 X 3/4                 |       |
| 28   | 60098       | 36  | NUT, .500-13 SFLG ZC CASE HARDENED       |       |
| 29   | A0001656956 | 1   | DECAL US CAMLOK SINGLE-PIN               |       |
| 30   | A0002459791 | 1   | ASSY-OPTION-CAM-US-MDE570                |       |

# LUG PANEL ASSEMBLY - OPTION CANADA

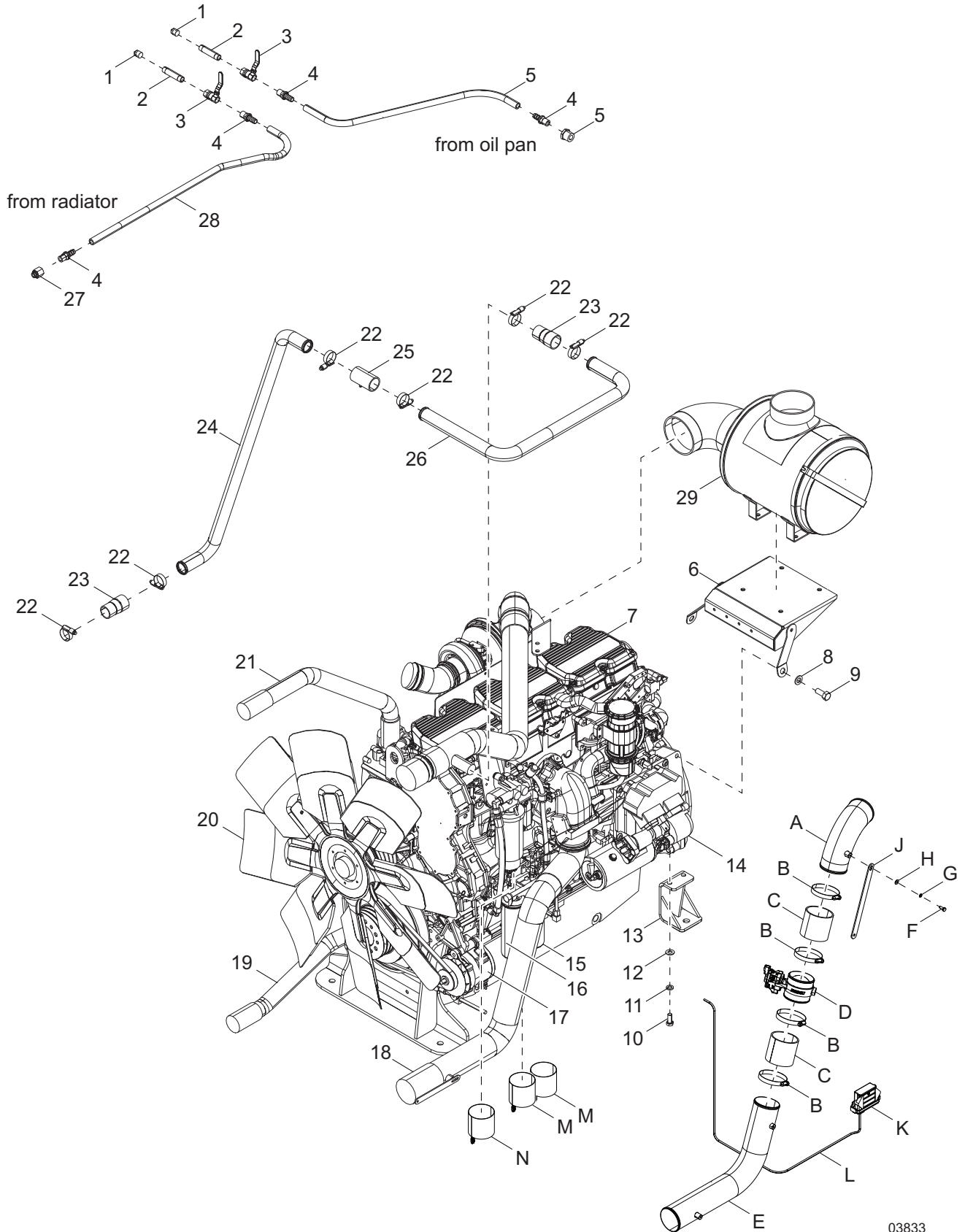


03834

## LUG PANEL ASSEMBLY- OPTION CANADA

| Item | Part No.    | Qty | Description                              | Notes |
|------|-------------|-----|--|-------|
| 1    | A0001404842 | 3   | BUSBAR CONN CAM                          |       |
| 2    | G052859     | 32  | NUT TOP LOCK FL M10-1.50                 |       |
| 3    | G064416     | 32  | SCREW HHC M10-1.5 X 45 C8.8 FT           |       |
| 4    | G070264     | 32  | WASHER FLAT M10                          |       |
| 5    | A0001404845 | 2   | BUSBAR C CAM                             |       |
| 6    | A0001404843 | 2   | BUSBAR A CAM                             |       |
| 7    | A0001404844 | 2   | BUSBAR B CAM                             |       |
| 8    | A0001519166 | 1   | BUSBAR H CAM                             |       |
| 9    | A0001540490 | 2   | ST03 WELDMNT BOLT RETAINER M10X65        |       |
| 10   | A0001404841 | 5   | BUSBAR CAM LOCK                          |       |
| 11   | 65303       | 5   | LUG, TERMINAL QUAD #2-600MCM 2 HOLE      |       |
| 12   | 0C2454      | 10  | SCREW HWHT M6-1 X 16 N WA Z/JS           |       |
| 13   | A0001516721 | 1   | ST03 MNT CAM LOCK TOP                    |       |
| 14   | A0001404846 | 1   | BUSBAR BONDING CAM                       |       |
| 15   | G049811     | 5   | WASHER FLAT M6                           |       |
| 16   | 0J7513      | 5   | WASHER LOCK M6 CLEAR ZINC                |       |
| 17   | G049813     | 5   | NUT HEX M6-1.0 G8 CLEAR ZINC             |       |
| 18   | 0C8522      | 72  | SCREW PPHM M5-0.8 X 25                   |       |
| 19   | 66041       | 6   | CONN, CAM LOCK FLANGE FEMALE, 400A, GRN  |       |
| 20   | 66040       | 6   | CONN, CAM LOCK FLANGE FEMALE, 400A, WHIT |       |
| 21   | 65553       | 6   | CONN, CAM LOCK FLANGE FEMALE, 400A, BLUE |       |
| 22   | 65552       | 6   | CONN, CAM LOCK FLANGE FEMALE, 400A, RED  |       |
| 23   | 65551       | 6   | CONN, CAM LOCK FLANGE FEMALE, 400A, BLK  |       |
| 24   | A0002704314 | 30  | COVER CAMLOCK CLEAR                      |       |
| 25   | A0001404838 | 1   | AL03 MNT CAM LOCK                        |       |
| 26   | A0001404840 | 1   | ISOLATOR CAM LOCK MOUNT                  |       |
| 27   | G038057     | 1   | GROMMET 7/8 X 1/16 X 3/4                 |       |
| 28   | 60098       | 36  | NUT, .500-13 SFLG ZC CASE HARDENED       |       |
| 29   | A0001656955 | 1   | DECAL CANADIAN CAMLOK SINGLE-PIN         |       |
| 30   | A0002459796 | 1   | ASSY-OPTION-CAM-CANADA-MDE570            |       |

# ENGINE ASSEMBLY - LEFT SIDE





## ENGINE ASSEMBLY - LEFT SIDE

| Item | Part No.    | Qty | Description                              | Notes        |
|------|-------------|-----|--|--------------|
| 1    | G024310     | 2   | PLUG STD PIPE 1/2 STEEL SQ HD            |              |
| 2    | G031096     | 2   | NIPPLE PIPE 1/2NPT X 3-1/2               |              |
| 3    | 0G5212A     | 2   | VALVE 1/2                                |              |
| 4    | A0001204071 | 4   | FITTING STRT .675 BARB X 0.5 MNTPF       |              |
| 5    | G065386     | 1   | HOSE COOL 5/8 ID 100R6                   |              |
| 6    | A0002064270 | 1   | BRACKET-AIR CLEANER                      |              |
| 7    | A0001237913 | 1   | ENGINE D18.1L (G22) ELECTROPAK           |              |
| 8    | A0002064295 | 2   | WASHER, AIR CLEANER & RESTRICT INDICATOR |              |
| 9    | A0002064280 | 2   | BOLT-AIR CLEANER & RESTRICT INDICATOR    |              |
| 10   | 0D8476      | 4   | SCREW HHC 5/8-11 X 1-1/2 G8 ZP           |              |
| 11   | G022246     | 4   | WASHER LOCK SPRING 5/8 ZC                |              |
| 12   | G022247     | 4   | WASHER FLAT 5/8 STEEL ZINC               |              |
| 13   | A0001484873 | 2   | ST03 WELDED ENG SUPPORT MDE570           |              |
| 14   | A0002060777 | 1   | MOTOR-STARTER                            |              |
| 15   | A0001784480 | 1   | FILTER-FUEL-G22                          |              |
| 16   | A0001784472 |     | PRE-FILTER-FUEL-G22                      |              |
| 17   | 0L1564      | 1   | DC ALTRNTR 24V 50AMP BRUSHLESS           |              |
| 18   | REF (1)     | 1   | HOSE                                     | See note (1) |
| 19   | REF (1)     | 1   | HOSE, LOWER RADIATOR                     |              |
| 20   | A0002062180 | 1   | FAN                                      |              |
| 21   | REF (1)     | 1   | HOSE, UPPER RADIATOR                     |              |
| 22   | 60660       | 6   | CLAMP, HOSE-CONSTANT TORQUE-1.75-2.625   |              |
| 23   | 27993       | 2   | HOSE, C.A.C. - 1.75-2.00 X 4.00 LONG     |              |
| 24   | A0001539494 | 1   | ATS COMBUSTION AIR PIPE LOWER MDE570     |              |
| 25   | 28540       | 1   | HOSE, C.A.C. - 2.00 X 4.00 LONG          |              |
| 26   | A0001539490 | 1   | ATS COMBUSTION AIR PIPE UPPER MDE570     |              |
| 27   | A0001504120 | 1   | FITTING STR #8 3/4-16 ORBM X 1/2 NPTF    |              |
| 28   | A0001198845 | 1   | HOSE .625 PUSH LOCK                      |              |
| 29   | REF (1)     | 1   | ASSEMBLY, AIR FILTER                     |              |

### OPTIONAL FEATURES:

#### *POSITIVE AIR SHUTDOWN - PAS (if equipped)*

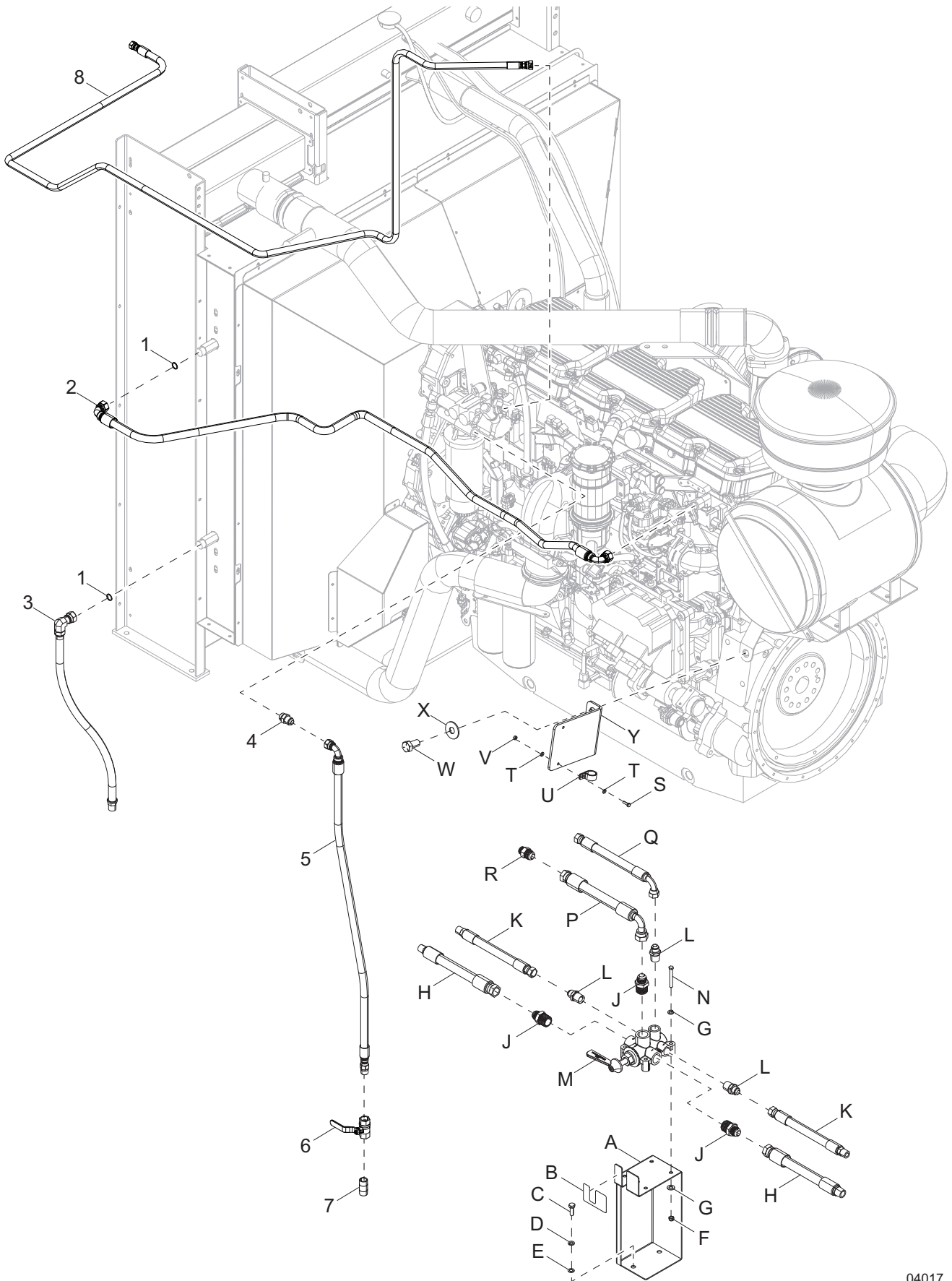
|   |             |   |                                  |                   |
|---|-------------|---|----------------------------------|-------------------|
| A | A0003449163 | 1 | ST03 PAS UPPER INTAKE PIPE       |                   |
| B | 0G1285G     | 4 | CLAMP CNST TENSION 3.75-4.625    |                   |
| C | 082560B     | 2 | HOSE 4ID X 4.0LG                 |                   |
| D | A0001434899 | 1 | PAS VALVE                        |                   |
| E | A0003449161 | 1 | ST03 PAS LOWER INTAKE PIPE       |                   |
| F | G039253     | 4 | SCREW HHC M8-1.25 X 20 C8.8      |                   |
| G | 0D3919      | 4 | WASHER LOCK M8 ZINC              |                   |
| H | G022145     | 4 | WASHER FLAT 5/16-M8 ZINC         |                   |
| J | A0003449165 | 1 | ST03 LANYARD, INTAKE PIPE MDE570 |                   |
| K | A0000634488 | 1 | MODULE PAS C20645-1 PACBRAKE     | includes hardware |
| L | A0001497004 | 1 | PACBRAKE HARNESS                 |                   |

#### *FUEL FILTER HEATER (if equipped):*

|    |             |   |                                     |
|----|-------------|---|-------------------------------------|
| M  | A0003358993 | 2 | FUEL FILTER HEATER (24VDC/50W)      |
| N  | A0001611195 | 1 | FUEL FILTER HEATER (24VDC/50W)      |
| -- | A0001835636 | 1 | HARN TRIPLE DC FUEL FILT HTR MOBILE |

**Note:** Engine and generator parts used in all Generac Mobile, equipment carry the Original Equipment Manufacturer (OEM) warranty unless otherwise stated. OEM warranty parts must be purchased through an OEM dealer. Please contact Generac Mobile Products, LLC with questions. (1) See Generac Engine Manual p/n A0002459871

# ENGINE ASSEMBLY - LEFT SIDE 2



04017

## ENGINE ASSEMBLY - LEFT SIDE 2

| Item | Part No.    | Qty | Description                       | Notes |
|------|-------------|-----|-----------------------------------|-------|
| 1    | A0001987869 | 2   | O-RING -10 ORFS FITTING           |       |
| 2    | A0001916582 | 1   | FUEL COOLER INLET HOSE            |       |
| 3    | A0005358936 | 1   | HOSE TANK RETURN                  |       |
| 4    | A0001160073 | 1   | FITTING STRT 0.875 ORBM X 10 JICM |       |
| 5    | A0001719501 | 1   | FUEL TANK TO ENGINE HOSE          |       |
| 6    | 0G5212A     | 1   | VALVE 1/2                         |       |
| 7    | G031105     | 1   | NIPPLE PIPE 1/2NPT X 1-3/4        |       |
| 8    | A0001594488 | 1   | HOSE, FUEL SUPPLY                 |       |

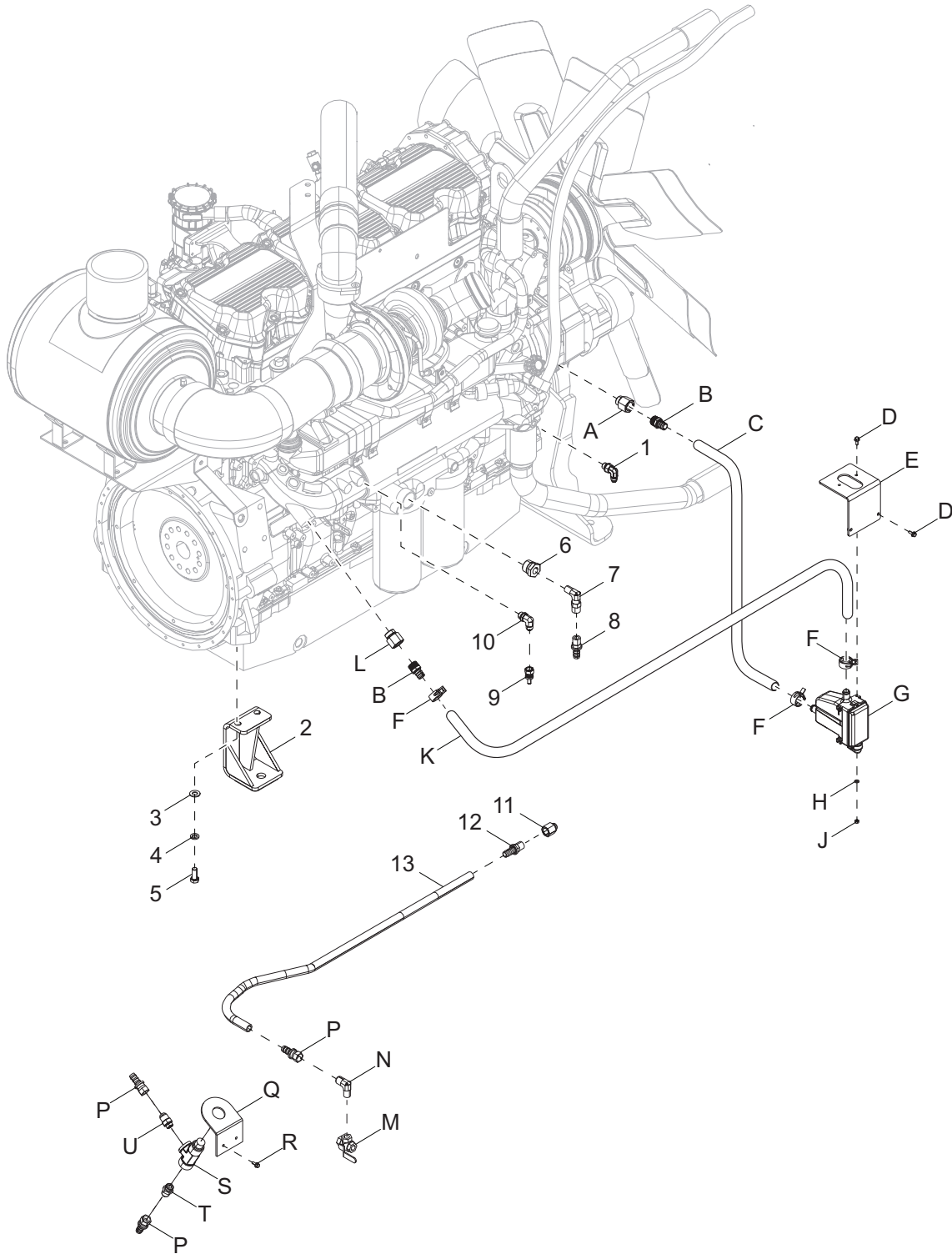
### OPTIONAL FEATURES:

#### MANUAL 3-WAY FUEL VALVE KIT (if equipped)

|   |             |   |   |
|---|-------------|---|---|
| A | A0002952282 | 1 | ST03 6 WAY FUEL VALVE BRACKET MDE330      |
| B | A0003891698 | 1 | DECAL, 3 WAY FUEL VALVE                   |
| C | G059981     | 2 | SCREW HHC M10-1.5 X 30 C10.9              |
| D | G046526     | 2 | WASHER LOCK M10                           |
| E | G070264     | 2 | WASHER FLAT M10                           |
| F | G045771     | 4 | NUT HEX M8-1.25 G8                        |
| G | G058653     | 8 | WASHER FLAT M8                            |
| H | A0004750952 | 2 | ASSY FUEL HOSE .75X12JICX.75MNPT X760MM   |
| J | A0004323914 | 3 | FITTING STRT 1.00NPTMX12JICM STL          |
| K | A0004750939 | 2 | ASSY FUEL HOSE .62X10JICX.50MNPT X865MM   |
| L | A0002854324 | 3 | FITTING STRT -12 NPTM X -10 JICM          |
| M | A0002746706 | 1 | 6 PORT BRONZE FUEL VALVE                  |
| N | 0A4010      | 4 | SCREW HHC M8-1.25 X 60 C8.8               |
| P | A0004750942 | 1 | ASSY FUEL HOSE .75X12JICX12JIC90 X2005MM  |
| Q | A0004750258 | 1 | ASSY FUEL HOSE .62X10JICX10JIC90 X2615MM  |
| R | A0004393531 | 1 | FITTING STRT 10ORBX12JICF                 |
| S | G042568     | 2 | SCREW HHC M6-1.0 X 20 C8.8                |
| T | G049811     | 2 | WASHER FLAT M6                            |
| U | 61075       | 2 | CLAMP,TBING-1.0 HVY DTY .344 HOLE, .625WD |
| V | G077992     | 2 | NUT HEX LOCK M6-1.0 SS NY INS             |
| W | 60383       | 2 | SCREW, .750-10X1.500 STD HEX G5           |
| X | 60247       | 2 | WASHER, .750 FLAT 2.020/.130              |
| Y | A0004519372 | 1 | STB BRACKET FUEL HOSE                     |

**Note:** Engine and generator parts used in all Generac Mobile Products, LLC equipment carry the Original Equipment Manufacturer (OEM) warranty unless otherwise stated. OEM warranty parts must be purchased through an OEM dealer. Please contact Generac Mobile Products, LLC with questions.

# ENGINE ASSEMBLY - RIGHT SIDE



03735

## ENGINE ASSEMBLY - RIGHT SIDE

| Item | Part No.    | Qty | Description                                | Notes          |
|------|-------------|-----|--|----------------|
| 1    | A0001905698 | 3   | FITTING ELBOW 90 #6 ORBM X #6 JICM         |                |
| 2    | 0D8476      | 4   | SCREW HHC 5/8-11 X 1-1/2 G8 ZP             |                |
| 3    | G022246     | 4   | WASHER LOCK SPRING 5/8 ZC                  |                |
| 4    | G022247     | 4   | WASHER FLAT 5/8 STEEL ZINC                 |                |
| 5    | A0001484873 | 2   | ST03 WELDED ENG SUPPORT MDE570             |                |
| 6    | A0001663815 | 1   | FITTING 16M STOR - 8F NPT SHOULDER ORING   |                |
| 7    | A0001663813 | 1   | FITTING 0.5 MNPTF X 0.5 FNPTF              |                |
| 8    | A0001663814 | 1   | FITTING CHECK VALVE 0.5 FNPT X 0.5 MNPT    |                |
| 9    | A0001904525 | 1   | FITTING STRT #8 STRT #8 JICF X #6 PUSH-LOK |                |
| 10   | A0001904537 | 1   | FITTING ELBOW 90 #8 JIC MALE X #8 ORBM     |                |
| 11   | A0001504120 | 1   | FITTING STR #8 3/4-16 ORBM X 1/2 NPTF      |                |
| 12   | A0001204071 | 4   | FITTING STRT .675 BARB X 0.5 MNTPF         |                |
| 13   | A0001198845 | 1   | HOSE .625 PUSH LOCK                        |                |
| --   | A0002156161 | 1   | HARN ENG D18.1L G22 DSE8610 MDE            |                |
| --   | 35560       | 6   | FUSE, 20 AMP, MINI                         | w/ A0002156161 |
| --   | A0000292219 | 1   | FUSE 5A/32V MINI ATM BLADE TAN             | w/ A0002156161 |

### OPTIONAL FEATURES

#### *BLOCK HEATER (if equipped):*

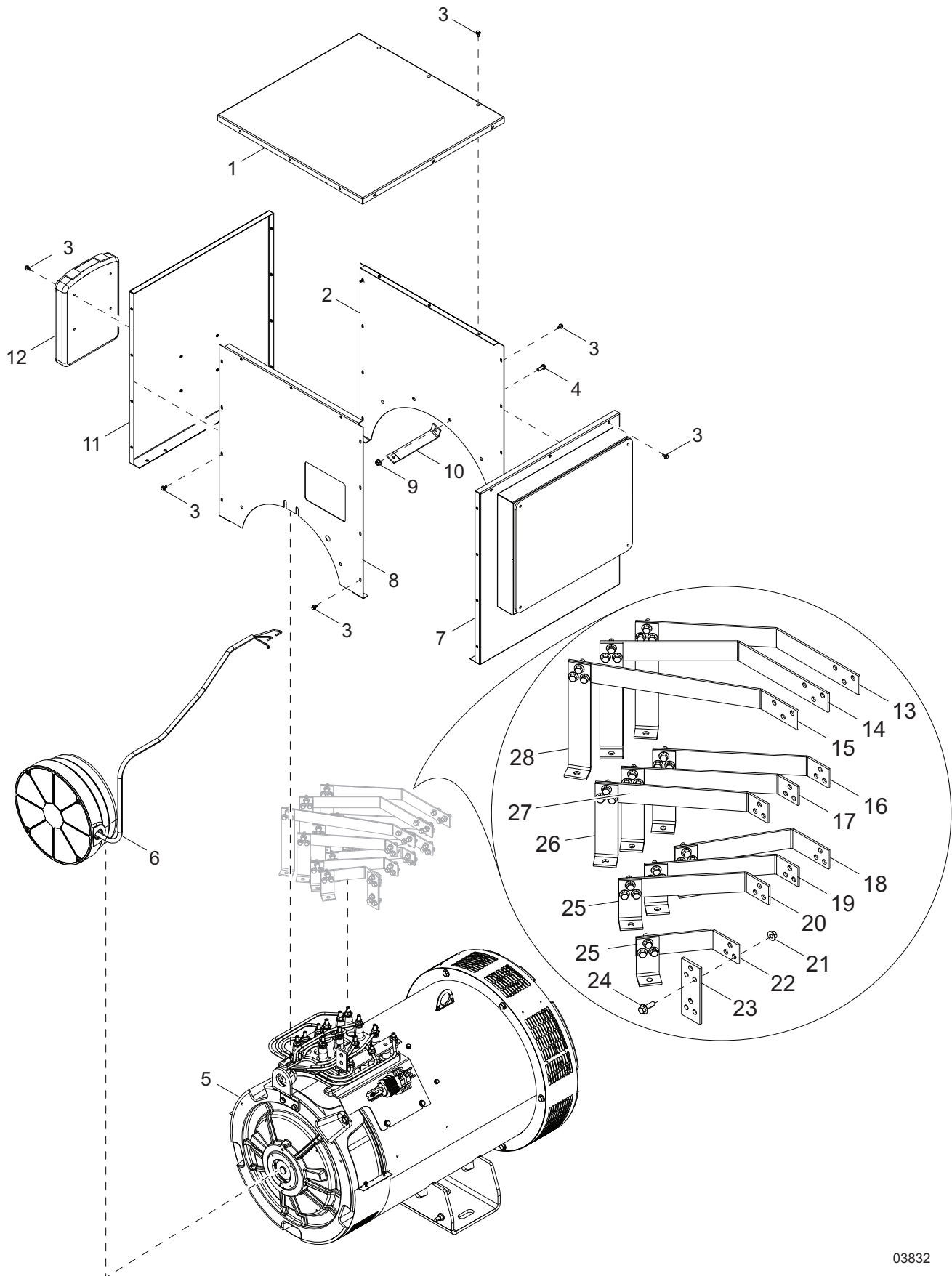
|   |             |   |  |
|---|-------------|---|--|
| A | A0001504174 | 1 | FITTING -12 ORB MALE X -12 NPTF FEMALE |
| B | HW4046A63   | 2 | FIT, BR, 3/4" NPT-3/4" BARB            |
| C | A0001198845 | 1 | HOSE .625 PUSH LOCK                    |
| D | 10000022416 | 2 | SCREW HHFC M6-1.0 X 16 C8.8            |
| E | A0001578506 | 1 | ST03, BRACKET ASY, BLOCK HEATER MDG570 |
| F | 10000037182 | 2 | CLAMP HOSE - SPRING TYPE- CTB - 27ST   |
| G | A0001578477 | 1 | BLOCK HEATER P&T 3305068 120V 2250W    |
| H | G049811     | 2 | WASHER FLAT M6                         |
| J | G049813     | 2 | NUT HEX M6-1.0 G8 CLEAR ZINC           |
| K | A0001198845 | 1 | HOSE .625 PUSH LOCK                    |
| L | A0001504244 | 1 | FITTING -14 ORB MALE X -12 NPTF FEMALE |

#### *QUICK OIL CHANGE KIT (if equipped):*

|   |             |   |                                   |
|---|-------------|---|-----------------------------------|
| M | 60996       | 1 | VALVE, BALL .50NPTF 3-PORT        |
| N | A0001201941 | 1 | FITTING ELBOW .5 MNPTF X 10 JICM  |
| P | A0001152827 | 3 | FITTING STRT .625 BARB X 10 JICF  |
| Q | A0001679387 | 1 | ST03 BRACKET ASM OIL QUICK KIT    |
| R | 10000022416 | 2 | SCREW HHFC M6-1.0 X 16 C8.8       |
| S | A0001204026 | 1 | RPM QUICK CONNECT                 |
| T | A0001160073 | 1 | FITTING STRT 0.875 ORBM X 10 JICM |
| U | A0001152113 | 1 | FITTING STRT .750 ORBM X 10 JICM  |

**Note:** Engine and generator parts used in all Generac Mobile Products, LLC equipment carry the Original Equipment Manufacturer (OEM) warranty unless otherwise stated. OEM warranty parts must be purchased through an OEM dealer. Please contact Generac Mobile Products, LLC with questions.

# GENERATOR ASSEMBLY



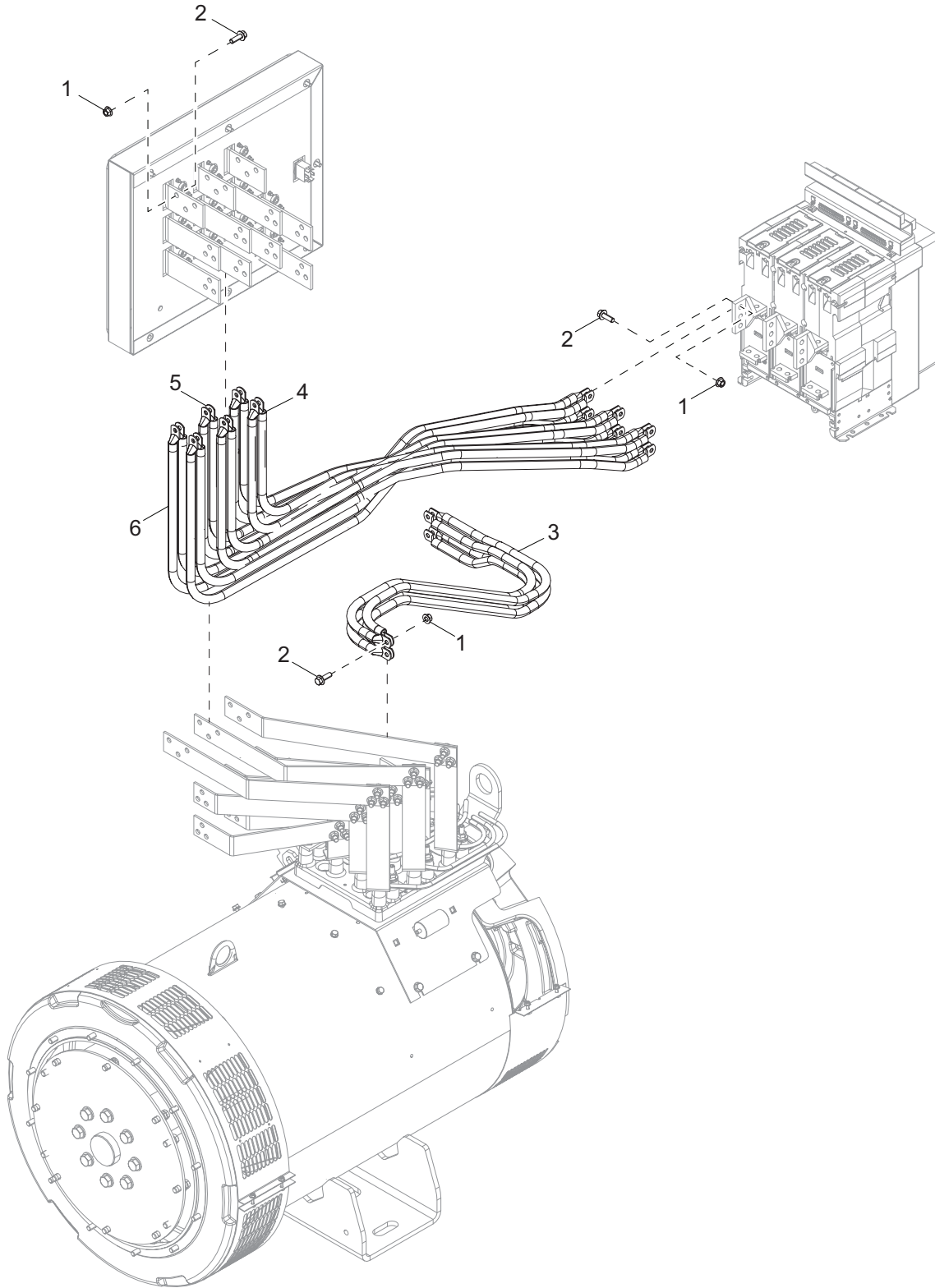
03832

## GENERATOR ASSEMBLY

| Item | Part No.    | Qty | Description                         | Notes      |
|------|-------------|-----|-------------------------------------|------------|
| 1    | A0001535173 | 1   | ST03 GENERATOR BOX TOP              |            |
| 2    | A0001535170 | 1   | ST03 GENERATOR BOX FRONT            |            |
| 3    | 0C2454      | 32  | SCREW HWHT M6-1 X 16 N WA Z/JS      |            |
| 4    | G049814     | 10  | SCREW HHC M10-1.5 X 25 C8.8         |            |
| 5    | A0002459805 | 1   | ALTERNATOR-STANDARD-AREP            |            |
| --   | A0001330723 | 1   | ALTERNATOR-SUPERSTART-AREP          | SUPERSTART |
| --   | A0001330734 | 1   | ALTERNATOR-VFLEX-AREP               | VFLEX      |
| 6    | A0001298691 | 1   | LSA PMG 46.3 47.2                   |            |
| 7    | A0001535172 | 1   | ST03 GENERATOR BOX RIGHT            |            |
| 8    | A0001535165 | 1   | ST03 GENERATOR BOX REAR             |            |
| 9    | G052859     | 8   | NUT TOP LOCK FL M10-1.50            |            |
| 10   | A0001535175 | 4   | ST03 BRACKET ALTERNATOR             |            |
| 11   | A0001535171 | 1   | ST03 GENERATOR BOX LEFT             |            |
| 12   | 24540       | 1   | HOLDER, MANUAL (PLASTIC)            |            |
| 13   | A0001540896 | 1   | BUS BAR L3                          |            |
| 14   | A0001540895 | 1   | BUS BAR L2                          |            |
| 15   | A0001539350 | 1   | BUS BAR L1                          |            |
| 16   | A0001540909 | 1   | BUS BAR T9                          |            |
| 17   | A0001540908 | 1   | BUS BAR T8                          |            |
| 18   | A0001540916 | 1   | BUS BAR T6                          |            |
| 19   | A0001540915 | 1   | BUS BAR T5                          |            |
| 20   | A0001539358 | 1   | BUS BAR T4                          |            |
| 21   | 60064       | 57  | NUT, M10-1.50 SFLG G8.8 ZC LOCK     |            |
| 22   | A0001539365 | 1   | BUS BAR NEUTRAL                     |            |
| 23   | A0001539348 | 1   | BUS BAR NEUTRAL BOND                |            |
| 24   | 10000022906 | 57  | SCREW HHFC M10-1.5 X 30 C8.8        |            |
| 25   | A0001541379 | 4   | BUSBAR, LINKBOARD, MDG570           |            |
| 26   | A0001539360 | 3   | BUS BAR VERTICAL SHORT              |            |
| 27   | A0001539356 | 3   | BUS BAR VERTICAL                    |            |
| 28   | A0001539352 | 3   | BUS BAR VERTICAL LONG               |            |
| --   | A0002192947 | 1   | DECAL VOLTAGE TOGGLE SWITCH (STD)   |            |
| --   | A0002192944 | 1   | DECAL VOLTAGE TOGGLE SWITCH (VLFEX) |            |
| --   | A0002352120 | 1   | DECAL ISO ALTERNATOR LIFT           |            |
| --   | A0002355992 | 1   | DECAL ISO GENERATOR BACKFEED        |            |
| --   | A0002355996 | 1   | DECAL ISO SHUNT TRIP                |            |

**Note:** Engine and generator parts used in all Generac Mobile Products, LLC equipment carry the Original Equipment Manufacturer (OEM) warranty unless otherwise stated. OEM warranty parts must be purchased through an OEM dealer. Please contact Generac Mobile Products, LLC with questions.

# GENERATOR CONDUCTOR ASSEMBLY



03846

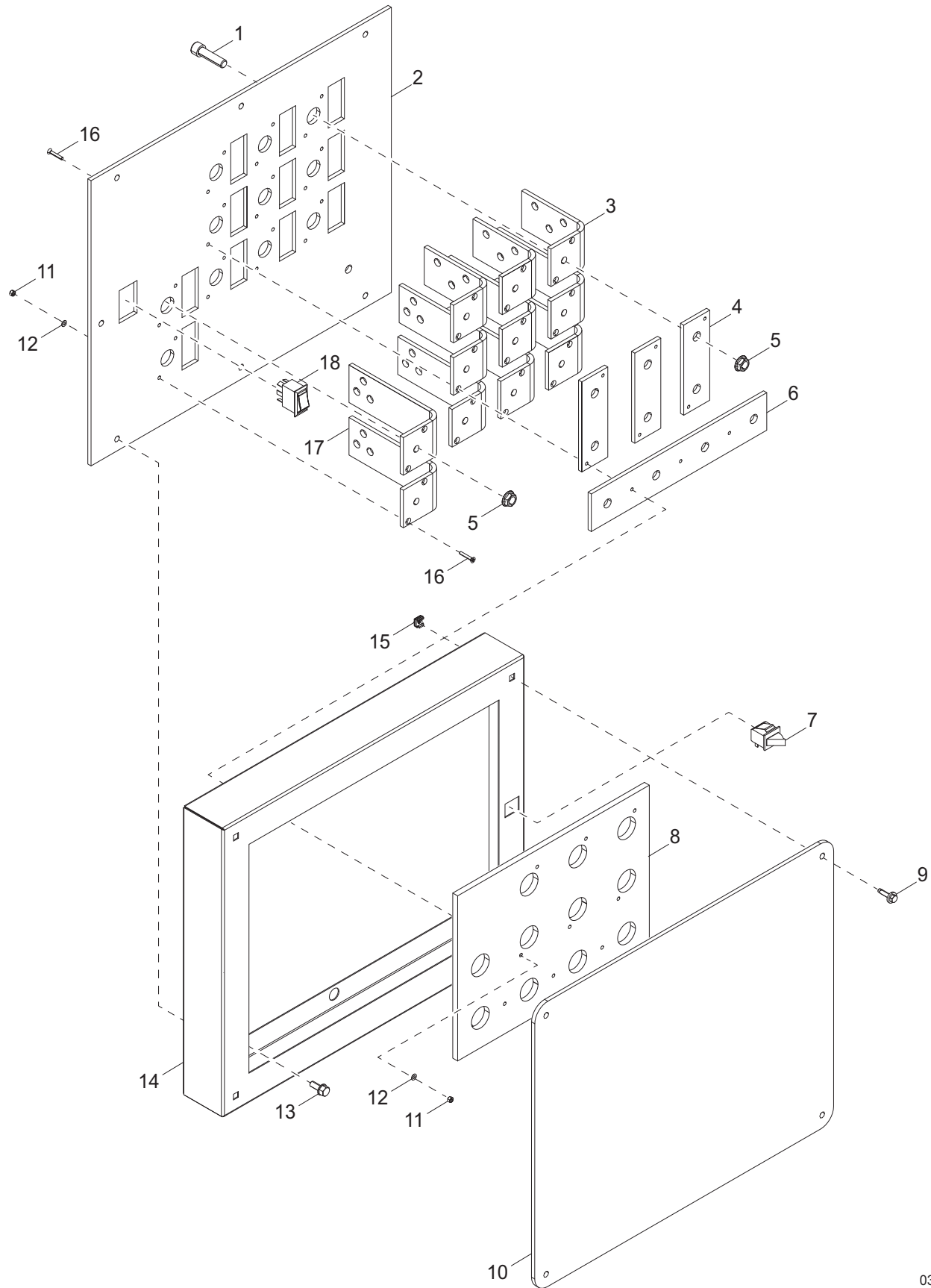


## GENERATOR CONDUCTOR ASSEMBLY

---

| Item | Part No.    | Qty | Description                  | Notes     |
|------|-------------|-----|------------------------------|-----------|
| 1    | 0E5343      | 28  | NUT HEX FL WHIZ M10-1.50     |           |
| 2    | 10000022906 | 28  | SCREW HHFC M10-1.5 X 30 C8.8 |           |
| 3    | A0001674316 | 4   | CABLE LINKBOARD TO AC L0     |           |
| 4    | A0001674328 | 4   | CABLE LINKBOARD TO AC L1     |           |
| 5    | A0001674333 | 4   | CABLE LINKBOARD TO AC L2     |           |
| 6    | A0001674334 | 4   | CABLE LINKBOARD TO AC L3     |           |
| --   | A0001667941 | 1   | CABLE LINKBOARD TO RECEPT T7 | Not Shown |
| --   | A0001674313 | 1   | CABLE LINKBOARD TO RECEPT L0 | Not Shown |
| --   | A0001665114 | 1   | CABLE LINKBOARD TO RECEPT T9 | Not Shown |

# LINK BOARD ASSEMBLY

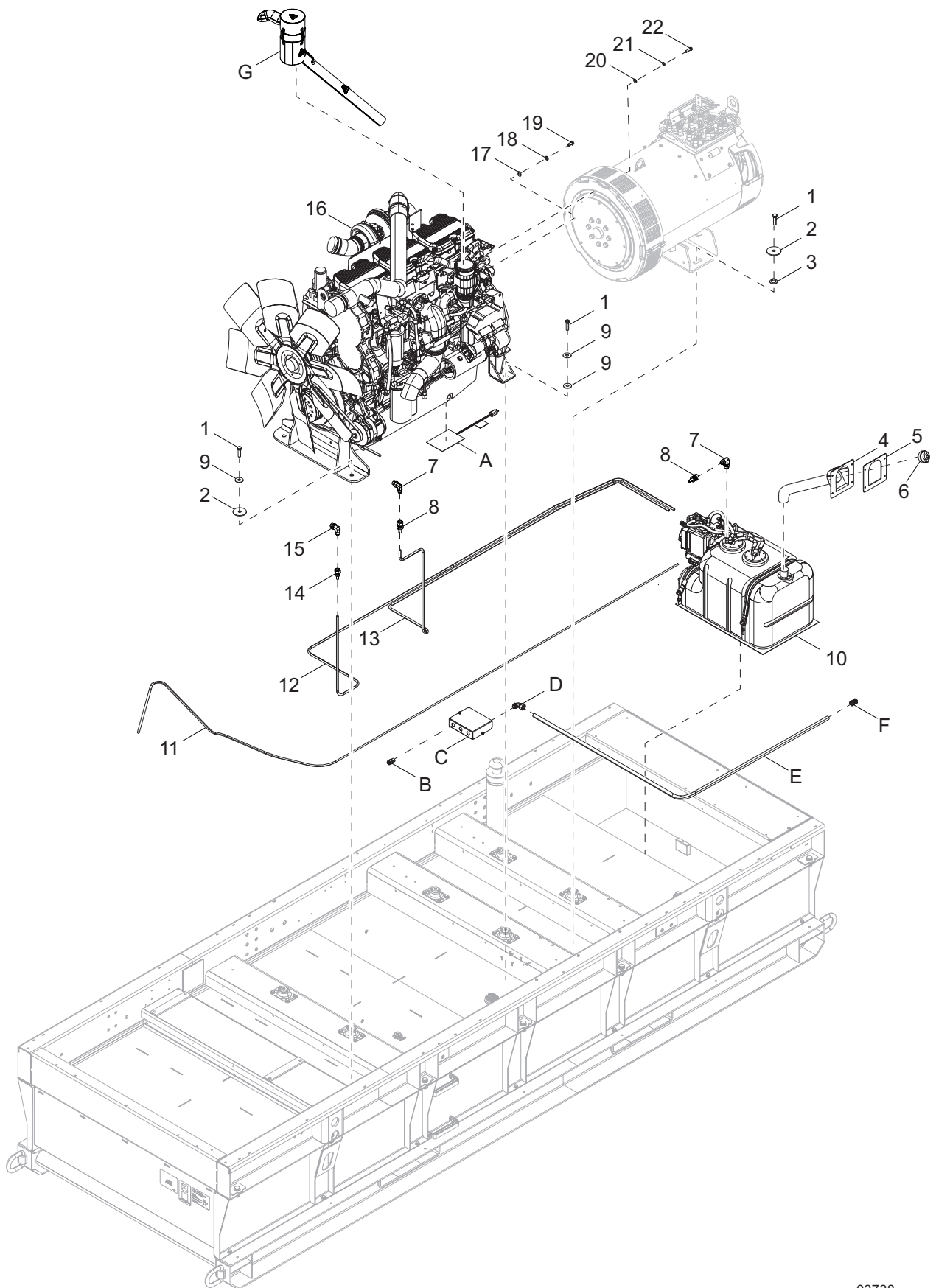


03737

## LINK BOARD ASSEMBLY

| Item | Part No.    | Qty | Description                          | Notes |
|------|-------------|-----|--------------------------------------|-------|
| 1    | G059982     | 11  | SCREW SHC M12-1.75 X 45 C12.9        |       |
| 2    | A0001539342 | 1   | PANEL GLASTIC RECONNECT              |       |
| 3    | A0001539344 | 11  | BUS RECONNECT UPPER                  |       |
| 4    | 51170       | 3   | BUS,SHORTING BOARD,SHORT,625         |       |
| 5    | 60148       | 11  | NUT, M12-1.75 SFLG G8.8 ZC           |       |
| 6    | 51169       | 1   | BUS,SHORTING BOARD,LONG,625          |       |
| 7    | 12632       | 1   | SWITCH, TRIGGER SAFETY, N.O. & N.C.  |       |
| 8    | 51168       | 1   | SHORTING BOARD,625                   |       |
| 9    | 0C2454      | 4   | SCREW HWHT M6-1 X 16 N WA Z/JS       |       |
| 10   | 51712       | 1   | PANEL, POLY WINDOW / COVER RECONNECT |       |
| 11   | 0E6480      | 22  | NUT HEX LOCK M4-0.7 NY INS           |       |
| 12   | G043180     | 22  | WASHER FLAT M4                       |       |
| 13   | 0G5445      | 4   | SCREW HHTT M8-1.25 X 20              |       |
| 14   | A0001582048 | 1   | ST03 PANEL RECONNECT FRONT           |       |
| 15   | A0001585413 | 4   | CAGE NUT M6 0.635-1.6MM THICKNESS    |       |
| 16   | A0001589489 | 22  | SCREW PFHM M4-0.7 X 25               |       |
| 17   | A0001539346 | 8   | BUS RECONNECT LOWER                  |       |
| 18   | 68530       | 1   | SWITCH, ROCKER, DPDT, ON/ON          |       |
| --   | A0002192947 | 1   | DECAL VOLTAGE TOGGLE SWITCH (STD)    |       |
| --   | A0002192944 | 1   | DECAL VOLTAGE TOGGLE SWITCH (VLFEX)  |       |

# ENGINE AND GENERATOR TO UNIT

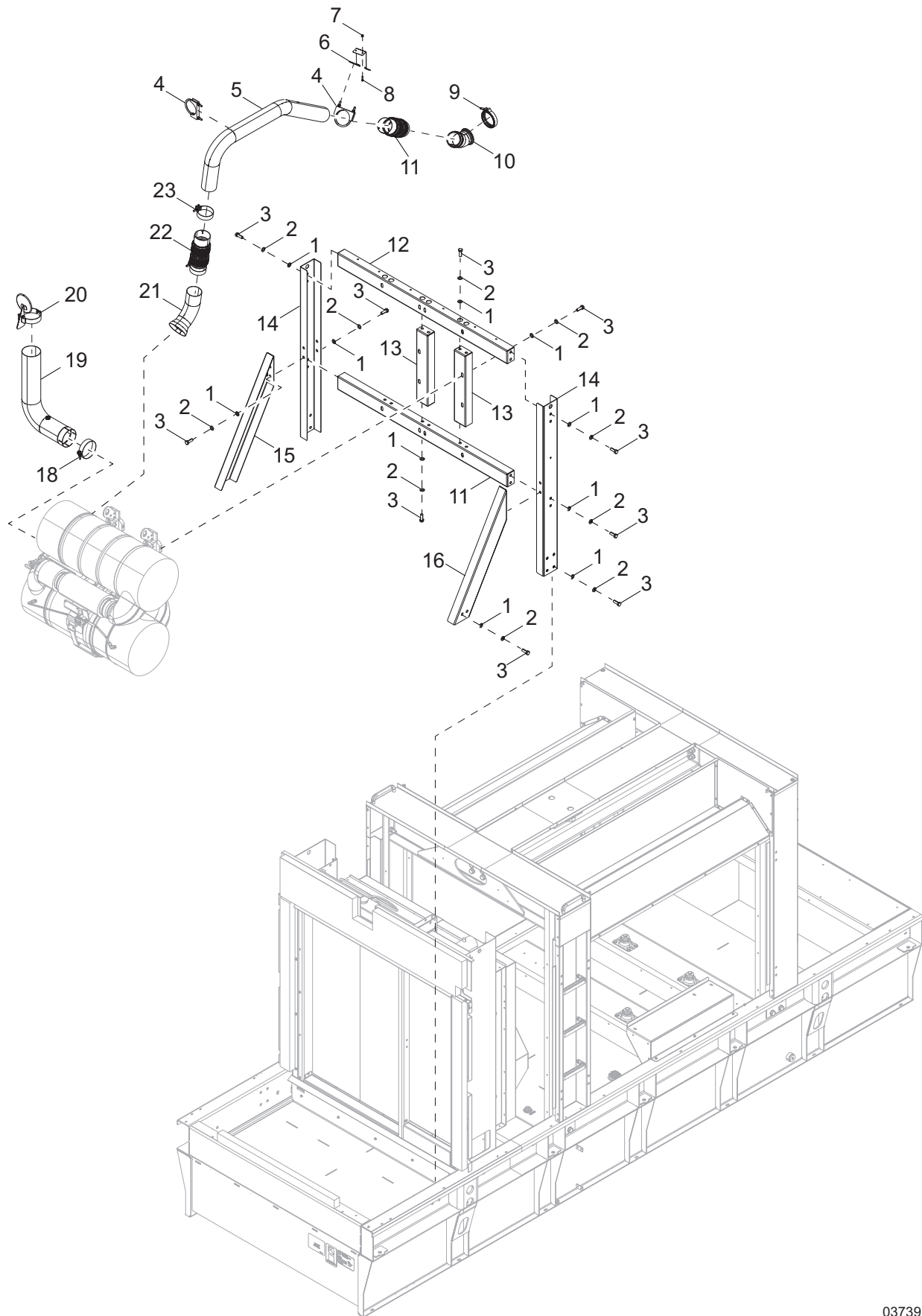


03738

## ENGINE AND GENERATOR TO UNIT

| Item                              | Part No.    | Qty     | Description                                    | Notes          |
|-----------------------------------|-------------|---------|--|----------------|
| 1                                 | 0A7935      | 6       | SCREW HHC 5/8-11 X 2-1/4 G8                    |                |
| 2                                 | 0A2602      | 2       | WASHER FLAT .688ID X 3.25OD                    |                |
| 3                                 | 0J68740ST03 | 2       | BUSHING RCA TO WEG SPACER                      |                |
| 4                                 | A0002063582 | 1       | ADAPTOR-DEF SYSTEM                             |                |
| 5                                 | A0002692502 | 1       | DEF FILL GASKET                                |                |
| 6                                 | A0002063586 | 1       | CAP-DEF SYSTEM                                 |                |
| 7                                 | A0001905698 | 1       | FITTING ELBOW 90 #6 ORBM X #6 JICM             |                |
| 8                                 | A0001904732 | 1       | FITTING STRT #6 JICF X #6 PUSH-LOK             |                |
| 9                                 | G049869     | 6       | WASHER FLAT M16                                |                |
| 10                                | A0002063647 | 1       | TANK-DEF                                       |                |
| 11                                | A0002860206 | 1       | HEATED DEF SUPPLY LINE                         |                |
| 12                                | A0001916886 | 15.0 ft | HOSE .375 PUSH-LOK                             |                |
| 13                                | A0001916886 | 12.0 ft | HOSE .375 PUSH-LOK                             |                |
| 14                                | A0001904525 | 1       | FITTING STRT #8 JICF X #6 PUSH-LOK             |                |
| 15                                | A0001904537 | 1       | FITTING ELBOW 90 #8 JIC MALE X #8 ORBM         |                |
| 16                                | A0001237913 | 1       | ENGINE D18.1L (G22) ELECTROPAK                 |                |
| 17                                | G022304     | 8       | WASHER FLAT 1/2 ZINC                           |                |
| 18                                | G022195     | 8       | WASHER LOCK SPRING 1/2 ZC                      |                |
| 19                                | G051008     | 8       | SCREW HHC 1/2-13 X 1 G8                        |                |
| 20                                | G022250     | 12      | WASHER FLAT 7/16 ZP                            |                |
| 21                                | G022302     | 12      | WASHER LOCK SPRING 7/16 ZC                     |                |
| 22                                | G036824     | 12      | SCREW HHC 7/16-14 X 1-1/2 G5                   |                |
| <b>OPTIONAL FEATURES</b>          |             |         |  |                |
| <i>OIL HEATER (if equipped):</i>  |             |         |  |                |
| A                                 | A0001382413 | 1       | SILICON PAD HEATER 120V 1000W 6"X10-3/4"       |                |
| B                                 | 15864       | 1       | STRAIN RELIEF- .50 NPT WATERTIGHT .270/.464 ID |                |
| <i>SHORE POWER (if equipped):</i> |             |         |  |                |
| C                                 | A0002459812 | 1       | BOX-JUNCTION-HEATER-SHORE                      |                |
| D                                 | A0000510226 | 1       | ELBOW 90 1/2 MNPT X 1/2 LIQUID-TIGHT           |                |
| E                                 | MAC0136     | 1       | FLEX SEALTITE 1/2 IN                           |                |
| F                                 | MAC0380     | 1       | CONNECTOR LT STEEL 1/2 IN STR                  |                |
| <i>CCV HEATER (if equipped):</i>  |             |         |  |                |
| G                                 | A0002459813 | 1       | ASSY-HEATER-OCV                                |                |
| --                                | A0001501750 | 1       | CONNECTION HOSE BLANKET REV. 00                | w/ A0002459813 |
| --                                | A0001501770 | 1       | OCV FILTER HOUSING TOP BLANKET REV. 00         | w/ A0002459813 |
| --                                | A0001501771 | 1       | OCV FILTER HSG BOTTOM BLANKET REV. 00          | w/ A0002459813 |
| --                                | A0001501772 | 1       | VENTED HOSE BLANKET REV. 00                    | w/ A0002459813 |
| --                                | A0002090192 | 1       | HEAT TRACE CABLE 9W/FT TSTAT 24VDC             | w/ A0002459813 |

# EXHAUST SYSTEM



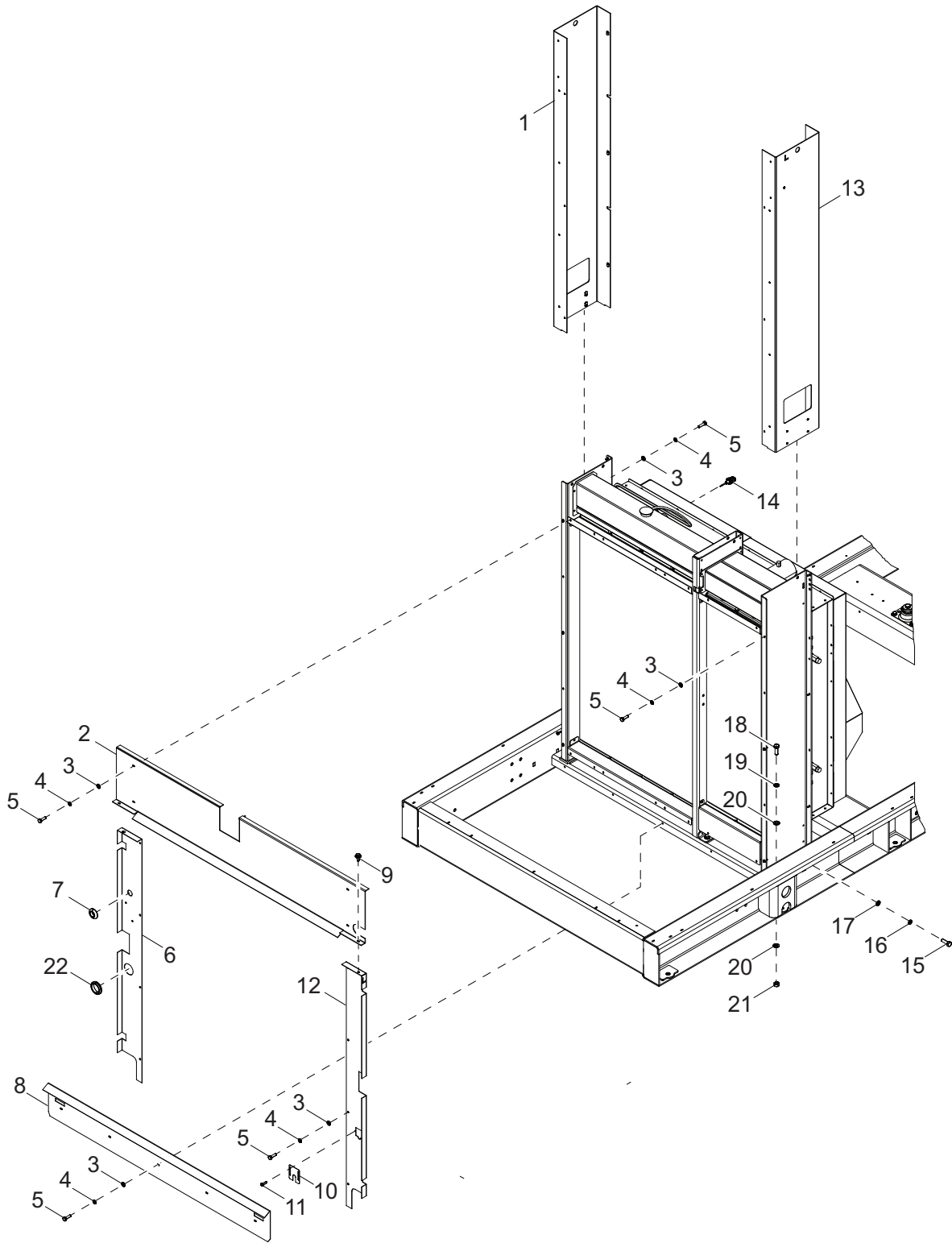
03739

## EXHAUST SYSTEM

| Item | Part No.    | Qty | Description                           | Notes |
|------|-------------|-----|---------------------------------------|-------|
| 1    | 0A1646      | 40  | WASHER FLAT M16                       |       |
| 2    | G070265     | 40  | WASHER LOCK M16                       |       |
| 3    | 0A2601      | 40  | SCREW HHC M16-2.0 X 45 C8.8           |       |
| 4    | G083468     | 2   | BOLT U 3/8-16 X 4                     |       |
| 5    | A0001532945 | 1   | EXHAUST TUBE SECTION 1 4" OD          |       |
| 6    | A0001819951 | 1   | ST03 EXHAUST BRACKET                  |       |
| 7    | 0D3700      | 2   | NUT FLANGE M6-1.0 NYLOK               |       |
| 8    | 0G6131      | 2   | SCREW HHC M6-1.00 X 30 C8.8 FT        |       |
| 9    | REF (1)     | 2   | CLAMP BAND                            |       |
| 10   | REF (1)     | 1   | EXHAUST TUBE SECTION                  |       |
| 11   | REF (1)     | 1   | EXHAUST TUBE SECTION                  |       |
| 12   | A0001516641 | 2   | ST03 ATS SUPPORT BRACKET 02           |       |
| 13   | A0001516642 | 2   | ST03 ATS SUPPORT BRACKET 01           |       |
| 14   | A0001516640 | 2   | ST03 ATS SUPPORT POST                 |       |
| 15   | A0001516644 | 1   | ST03 ATS ANGLED SUPPORT LH            |       |
| 16   | A0001516643 | 1   | ST03 ATS ANGLED SUPPORT RH            |       |
| 17   | A0001520861 | 1   | CLAMP BAND 5" NOMINAL                 |       |
| 18   | A0001520592 | 1   | ELBOW ATS NOX OUTLET EXHAUST 5"OD     |       |
| 19   | G065805     | 1   | RAIN CAP 5.00 / 5.19                  |       |
| 20   | A0001531293 | 1   | EXHAUST SECTION 2 4" OD 5" BALL CLAMP |       |
| 21   | REF (1)     | 1   | EXHAUST TUBE SECTION                  |       |
| 22   | A0001531293 | 1   | EXHAUST SECTION 2 4" OD 5" BALL CLAMP |       |
| --   | A0001535273 | 1   | BLANKET EXHAUST                       |       |

(1) See Generac Engine Manual p/n A0002459871

# COOLING SYSTEM ASSEMBLY



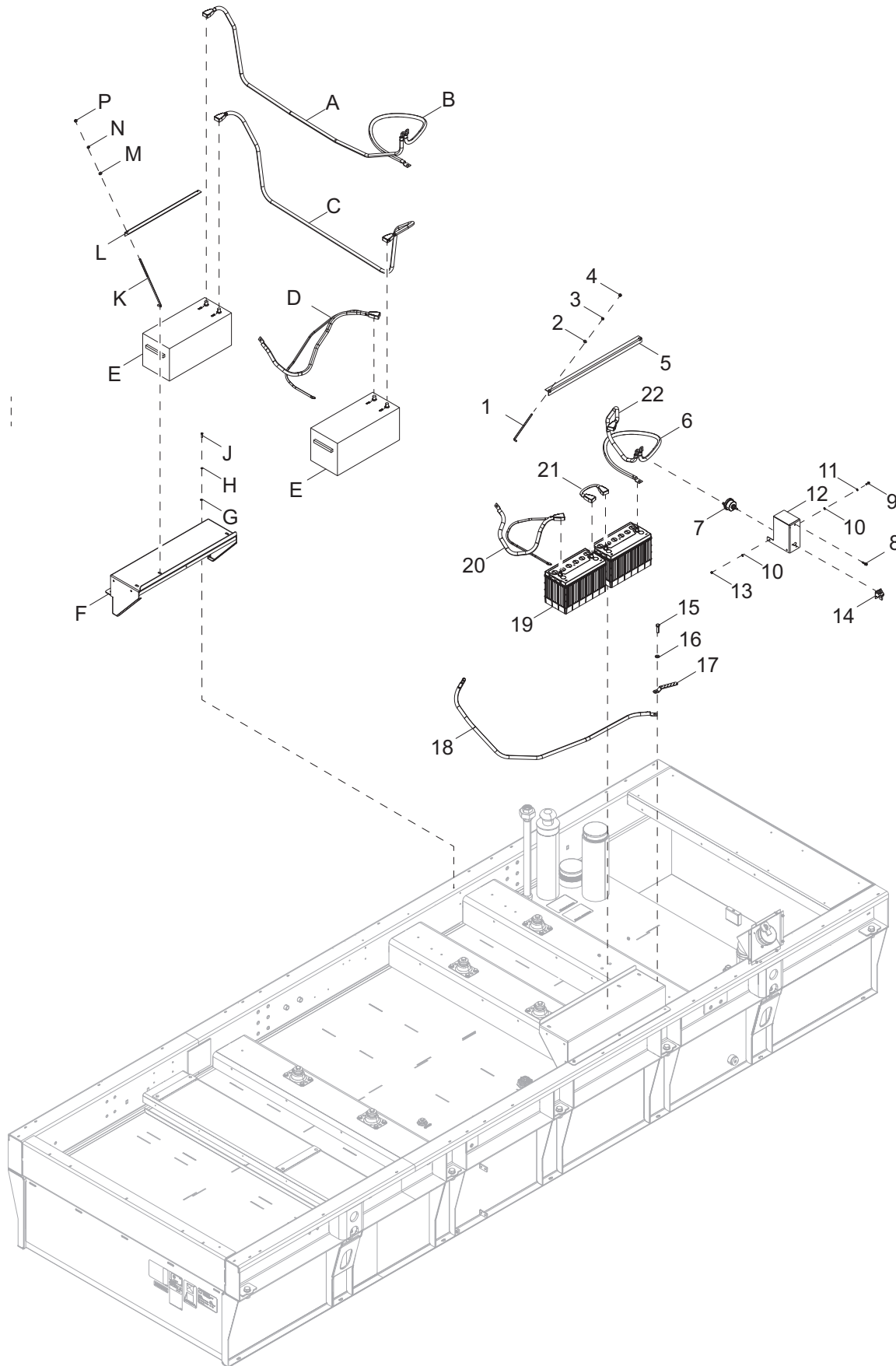
03740



## COOLING SYSTEM ASSEMBLY

| Item | Part No.    | Qty | Description                        | Notes |
|------|-------------|-----|------------------------------------|-------|
| 1    | A0001477292 | 1   | ST03 WELDMENT RAD VERT SUPPORT RS  |       |
| 2    | A0001521298 | 1   | ST03 RAD TOP BLOCKOFF WITH DEFLECT |       |
| 3    | G049811     | 29  | WASHER FLAT M6                     |       |
| 4    | OJ7513      | 29  | WASHER LOCK M6 CLEAR ZINC          |       |
| 5    | G042568     | 29  | SCREW HHC M6-1.0 X 20 C8.8         |       |
| 6    | A0001522779 | 1   | ST03 RAD RS CUTOFF                 |       |
| 7    | A0001380299 | 1   | GROMMET 2.375 X .188 X 2           |       |
| 8    | A0001521300 | 1   | ST03 RAD BOTTOM DEFL SHIELD        |       |
| 9    | OC2454      | 2   | SCREW HWHT M6-1 X 16 N WA Z/JS     |       |
| 10   | OJ01360ST03 | 1   | PLATE WIRE HARN BLOCKOFF           |       |
| 11   | OJ5464      | 2   | SCREW HDPHT M5-0.8 X 16 ZP         |       |
| 12   | A0001522782 | 1   | ST03 RAD LS CUTOFF                 |       |
| 13   | A0001478881 | 1   | ST03 WELDMENT RAD VERT SUPPORT LS  |       |
| 14   | A0002197826 | 1   | COOLANT LEVEL SWITCH, 1/4" NPTF    |       |
| 15   | G043107     | 8   | SCREW HHC M8-1.25 X 25 C8.8        |       |
| 16   | OD3919      | 8   | WASHER LOCK M8 ZINC                |       |
| 17   | G058653     | 8   | WASHER FLAT M8                     |       |
| 18   | G053554     | 6   | SCREW HHC M14-2.0 X 40 C8.8        |       |
| 19   | G043123     | 6   | WASHER LOCK M14                    |       |
| 20   | G052646     | 12  | WASHER FLAT M14                    |       |
| 21   | G051779     | 6   | NUT HEX M14-2.0 G8 YEL CHR         |       |
| 22   | G037557     | 1   | GROMMET 1-1/4 X 1/16 X 7/8         |       |

# BATTERY ASSEMBLY/OPTIONS



03750

## BATTERY ASSEMBLY/OPTIONS

| Item | Part No.    | Qty | Description                            | Notes |
|------|-------------|-----|--|-------|
| 1    | G099049     | 2   | J-BOLT M8-1.25 X 300                   |       |
| 2    | G058653     | 4   | WASHER FLAT M8                         |       |
| 3    | G022129     | 4   | WASHER LOCK M8-5/16                    |       |
| 4    | G045771     | 4   | NUT HEX M8-1.25 G8 CLEAR ZINC          |       |
| 5    | A0001501782 | 2   | ST03 BRACKET, BATTERY HOLD DOWN        |       |
| 6    | A0001663598 | 1   | CABLE BATTERY DISCONNECT               |       |
| 7    | 65498       | 1   | SWITCH, DISCONNECT                     |       |
| 8    | 0E7329      | 1   | PILOT LIGHT 8MM AMBER LED              |       |
| 9    | G036701     | 2   | SCREW, 10-32X.500 PAN PHIL G2 ZC       |       |
| 10   | G023897     | 4   | WASHER, #10 FLAT .495/.036 ZC SAE      |       |
| 11   | G022152     | 2   | WASHER, #10 SPLIT LOCK ZC              |       |
| 12   | A0001450893 | 1   | ST03 BRACKET BATTERY DISCONNECT        |       |
| 13   | 60061       | 1   | NUT, 10-32 NYLK ZC                     |       |
| 14   | 65499       | 1   | SWITCH LOCKOUT LEVER KIT               |       |
| 15   | G053559     | 1   | SCREW HHC M12-1.75 X 45 C8.8           |       |
| 16   | G049808     | 1   | WASHER FLAT M12                        |       |
| 17   | 0F1465      | 1   | BRACKET GROUND BAR                     |       |
| 18   | A0001663600 | 1   | CABLE ENGINE GROUND                    |       |
| 19   | G061119     | 2   | BATTERY BCI GRP 31 925 CCA             |       |
| 20   | A0001660970 | 1   | ASSY CABLE BATT POS START FUSEBOX 26in |       |
| 21   | A0000953247 | 1   | BATT CABLE GRP 31 JUMPER               |       |
| 22   | A0001663595 | 1   | CABLE BATTERY TO DISCONNECT GR31       |       |

### OPTIONAL FEATURES

#### *BATTERY CABLE KIT (if equipped):*

|   |             |   |  |
|---|-------------|---|--|
| A | A0001663593 | 1 | CABLE BATTERY TO DISCONNECT 4D         |
| B | A0001663598 | 1 | CABLE BATTERY DISCONNECT               |
| C | A0001663594 | 1 | CABLE BATTERY JUMPER 4D                |
| D | A0001660986 | 1 | ASSY CABLE BATT POS START FUSEBOX 38in |

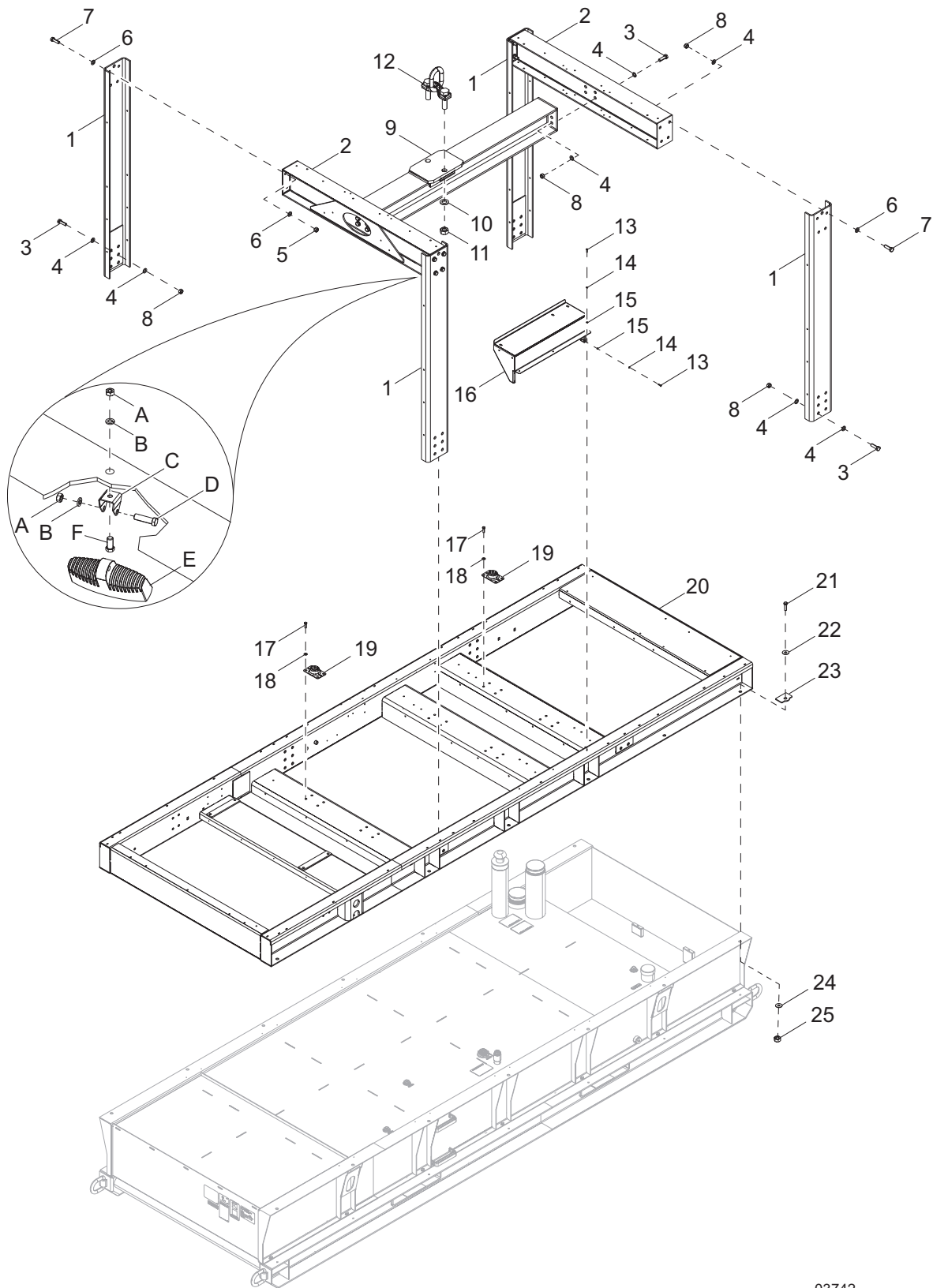
#### *BATTERY 1100 CCA WET CELL (if equipped):*

|   |             |   |                        |
|---|-------------|---|------------------------|
| E | A0001501719 | 1 | 4D BATTERY WET 1100CCA |
|---|-------------|---|------------------------|

#### *BATTERY TRAY RH (if equipped):*

|   |             |   |                                 |
|---|-------------|---|---------------------------------|
| F | A0001463352 | 1 | ST03 WELDMENT, BATTERY TRAY     |
| G | G049811     | 8 | WASHER FLAT M6                  |
| H | 0J7513      | 8 | WASHER LOCK M6 CLEAR ZINC       |
| J | G048107     | 8 | SCREW HHC M6-1.0 X 25 C10.9     |
| K | G099049     | 2 | J-BOLT M8-1.25 X 300            |
| L | A0001501782 | 1 | ST03 BRACKET, BATTERY HOLD DOWN |
| M | G058653     | 2 | WASHER FLAT M8                  |
| N | G022129     | 2 | WASHER LOCK M8-5/16             |
| P | G045771     | 2 | NUT HEX M8-1.25 G8 CLEAR ZINC   |

# LIFT STRUCTURE ASSEMBLY (1 OF 2)



03742

## LIFT STRUCTURE ASSEMBLY (1 OF 2)

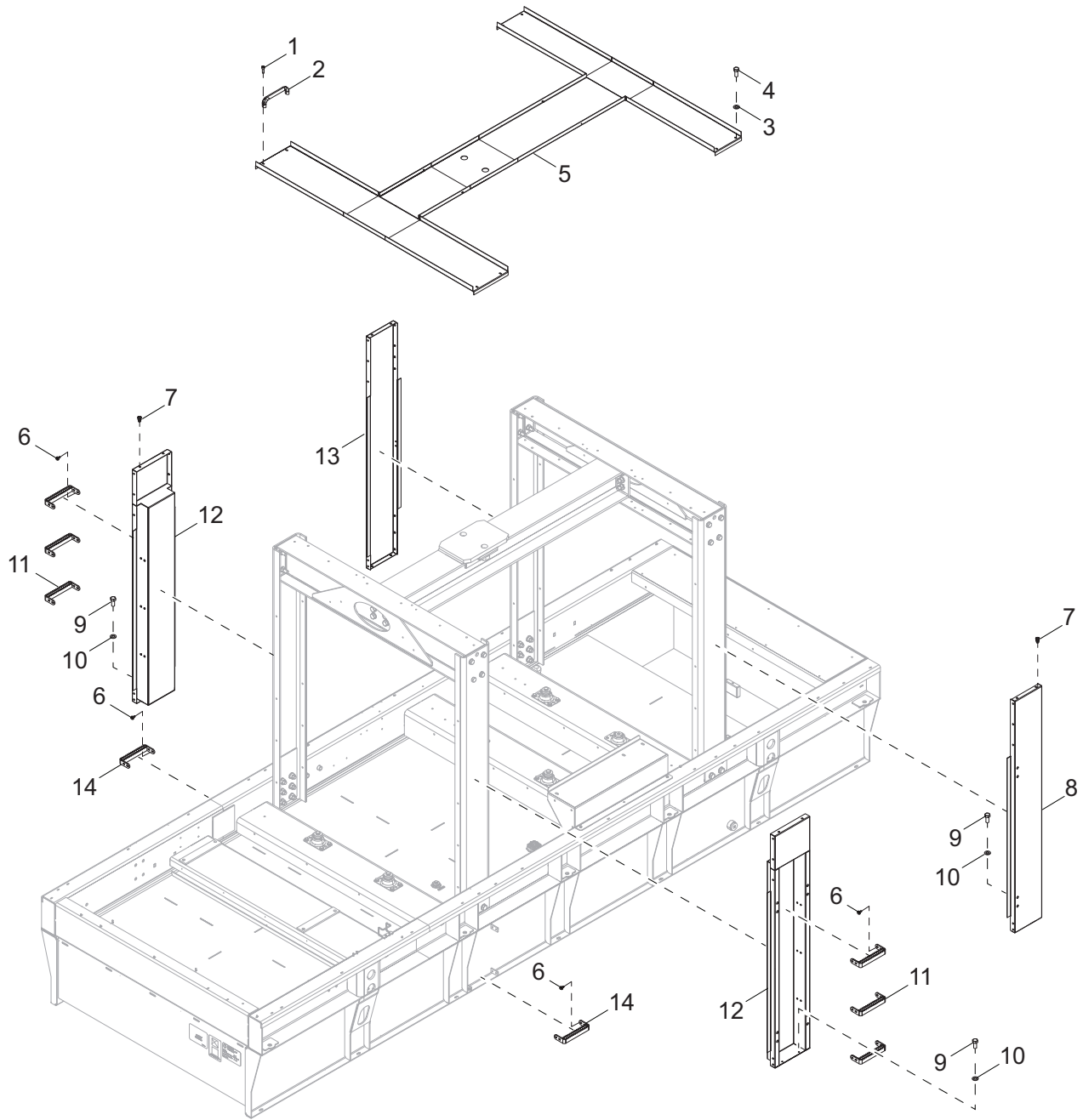
| Item | Part No.    | Qty | Description                         | Notes |
|------|-------------|-----|-------------------------------------|-------|
| 1    | A0001463339 | 4   | ST03 WELDMENT POST SERIES           |       |
| 2    | A0001463390 | 2   | ST03 WELDMENT CROSS MEMBER SERIES 3 |       |
| 3    | A0001464783 | 36  | SCREW HHC M20-2.50 X 65 C10.9       |       |
| 4    | A0000276703 | 72  | WASHER FLAT M20 YEL ZINC            |       |
| 5    | A0001464785 | 16  | NUT HEX M18-2.5 G10                 |       |
| 6    | A0001464784 | 32  | WASHER FLAT M18 YEL ZINC            |       |
| 7    | A0001464779 | 16  | SCREW HHC M18-2.50 X 65 C10.9       |       |
| 8    | A0000276701 | 36  | NUT HEX M20-2.5 C10 YEL ZINC        |       |
| 9    | A0001463447 | 1   | ST03 WELDMENT BEAM MAIN SERIES 3    |       |
| 10   | A0001376613 | 2   | WASHER FLAT M36 YEL ZINC            |       |
| 11   | A0000985744 | 2   | NUT HEX M36-4.0 G10                 |       |
| 12   | A0000964523 | 1   | LIFTING EYE - 16 TON                |       |
| 13   | G048107     | 7   | SCREW HHC M6-1.0 X 25 C10.9         |       |
| 14   | OJ7513      | 7   | WASHER LOCK M6 BLACK ZINC           |       |
| 15   | G049811     | 7   | WASHER FLAT M6                      |       |
| 16   | A0001463352 | 1   | ST03 WELDMENT, BATTERY TRAY         |       |
| 17   | 0A7935      | 6   | SCREW HHC 5/8-11 X 2-1/4 G8         |       |
| 18   | G049869     | 12  | WASHER FLAT M16                     |       |
| 19   | 0F9119A     | 6   | VIB MOUNT MASON RCA-R 2100LB.       |       |
| 20   | G053557     | 24  | SCREW HHC M12-1.75 X 40 C8.8        |       |
| 21   | G049808     | 24  | WASHER FLAT M12                     |       |
| 22   | A0001504183 | 1   | ST03 BASEFRAME SERIES 3             |       |
| 23   | A0000276744 | 14  | SCREW HHC M20-2.5 X 50 C10.9        |       |
| 24   | A0000276703 | 28  | WASHER FLAT M20 YEL ZINC            |       |
| 25   | A0001582014 | 14  | ST03 PLATE REINFORCING              |       |
| 26   | G081814     | 14  | WASHER LOCK M20                     |       |
| 27   | A0000276701 | 14  | NUT HEX M20-2.5 C10 YEL ZINC        |       |

### OPTIONAL FEATURES

#### *INTERIOR LIGHT KIT (if equipped)*

|    |             |   |                               |           |
|----|-------------|---|-------------------------------|-----------|
| A  | G070004     | 8 | NUT HEX M8-1.25 G8 SS         |           |
| B  | G070006     | 8 | WASHER LOCK M8 SS             |           |
| C  | -           | 4 | BRACKET LED LIGHT 6" OVAL     |           |
| D  | G070010     | 4 | SCREW HHC M8-1.25 X 35 SS FTH |           |
| E  | -           | 4 | LIGHT LED 6" OVAL 15W HVY DTY |           |
| F  | 0A6928      | 4 | SCREW HHC M8-1.25 X 20 SS     |           |
| -- | 0L0170      | 1 | LIGHT LED 6 OVAL 15W HVY DTY  | Items A-F |
| -- | A0001832525 | 1 | HARN INT LED LIGHTING MOBILE  |           |

# LIFT STRUCTURE ASSEMBLY (2 OF 2)

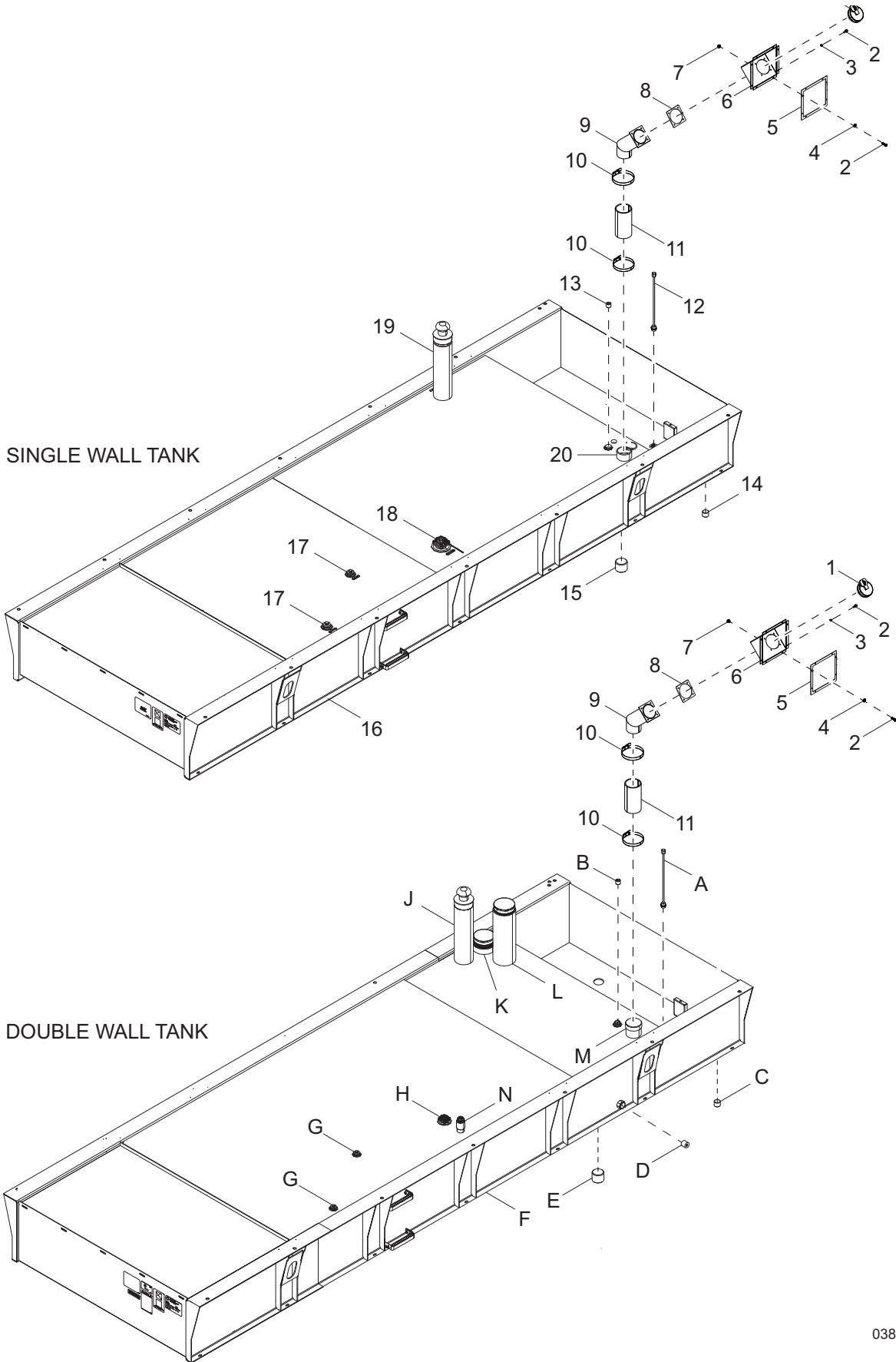


03743

## LIFT STRUCTURE ASSEMBLY(2 OF 2)

| Item | Part No.    | Qty | Description                       | Notes |
|------|-------------|-----|-----------------------------------|-------|
| 1    | G097962     | 4   | SCREW SHC M6-1.0 X 25 C12.9 ZP    |       |
| 2    | A0001048640 | 2   | PULL HANDLE ALUM 8.25" LG         |       |
| 3    | HW1053A00   | 4   | WASHER, BONDED SEALING, GALV      |       |
| 4    | OK8641      | 4   | SCREW HHFC M6-1.0 X 20 NYL WA     |       |
| 5    | A0001642489 | 1   | ST03 WELDMNT ROOF GUTTER SERIES 3 |       |
| 6    | OC2454      | 40  | SCREW HWHT M6-1 X 16 N WA Z/JS    |       |
| 7    | G092120     | 8   | NUT LOCK TRIC M6 X 1.0 Y/ZNC      |       |
| 8    | A0001641300 | 1   | ST03 ENCL LH SIDE UPRIGHT MID     |       |
| 9    | G042568     | 8   | SCREW HHC M6-1.0 X 20 C8.8        |       |
| 10   | G049811     | 8   | WASHER FLAT M6                    |       |
| 11   | A0001558868 | 6   | ST03 WLDMNT LIFT STRUCTURE RUNG   |       |
| 12   | A0001641308 | 2   | ST03 ENCL SIDE PANEL WITH LADDER  |       |
| 13   | A0001641297 | 1   | ST03 ENCL RH SIDE UPRIGHT MID     |       |
| 14   | A0001558868 | 2   | ST03 WLDMNT RUNG LIFT STRUCTURE   |       |

# TANK ASSEMBLY



03867



## TANK ASSEMBLY

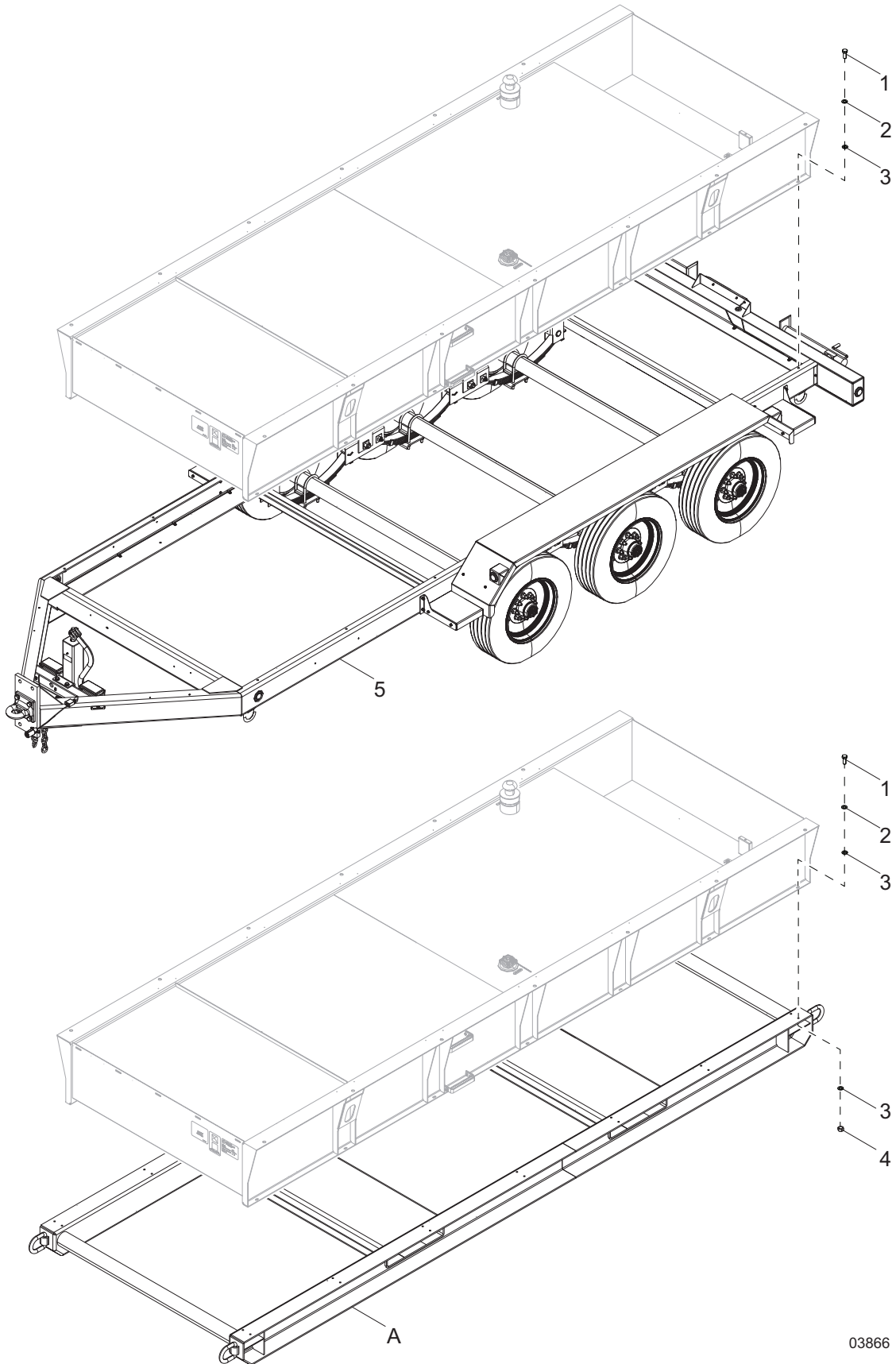
| Item | Part No.    | Qty | Description                        | Notes   |
|------|-------------|-----|------------------------------------|---|
| 1    | 55104       | 1   | CAP, FUEL FILL - 3.50 GRN          |   |
| 2    | 61180       | 12  | SCREW PPH 10-32 X .750 18-8 SS     |   |
| 3    | 60067       | 12  | WASHER, #10 FLAT .435/.060 18-8 SS |   |
| 4    | 61222       | 8   | WASHER, #10 SEALING                |   |
| 5    | A0002532403 | 1   | GASKET, DIESEL FILL HOUSING        |   |
| 6    | 23697B      | 1   | PANEL FUEL INLET - BLACK           |   |
| 7    | 60061       | 4   | NUT, 10-32 NYLK ZC                 |   |
| 8    | A0002690658 | 1   | GASKET, DIESEL FILL NECK           |   |
| 9    | 23710B      | 1   | PIPE, FUEL FILL NECK - 3.50        |   |
| 10   | 19842       | 2   | CLAMP, HOSE - SAE 072 (4.06-5.00)  |   |
| 11   | 10000020236 | 1   | HOSE, FUEL 4.0 ID X 8.5            |   |
| 12   | A0003763277 | 1   | SWITCH-DEF BASIN-TOP MOUNT         |   |
| 13   | A0003763275 | 1   | PLUG-AUX FILL STEEL 1.0"           |   |
| 14   | A0003763273 | 2   | PLUG-DEF DRAIN ZINC 0.50 "         |   |
| 15   | A0003763274 | 1   | PLUG-DEF DRAIN STEEL 3.0"          |   |
| 16   | A0001468810 | 1   | SINGLE WALL TANK, 770 GAL          | Incl. items 12, 13, 14,<br>15, 17, 18, 19, 20 |
| 17   | A0003763271 | 2   | TUBE, DIP-FUEL 0.50"               |   |
| 18   | A0003552068 | 1   | ASSY-SENDER-FUEL LEVEL             | Incl. A0003432361                             |
| --   | A0003432361 | 1   | SENDER-FUEL LEVEL                  | Sender only                                   |
| 19   | A0003763272 | 1   | VENT, TANK 2.0"                    |   |
| 20   | A0003763276 | 1   | TUBE, 3.50"                        |   |

### OPTIONAL FEATURES

#### *DOUBLE WALL TANK (if equipped):*

|    |             |   |                                |  |
|----|-------------|---|--------------------------------|--|
| A  | A0003763277 | 1 | SWITCH-DEF BASIN-TOP MOUNT     |  |
| B  | A0003763275 | 1 | PLUG-AUX FILL STEEL 1.0"       |  |
| C  | A0003763273 | 1 | PLUG-DEF DRAIN ZINC 0.50 "     |  |
| D  | A0003763282 | 1 | PLUG-RUPTURE DRAIN-STEEL-1/2"  |  |
| E  | A0003763274 | 1 | PLUG-DEF DRAIN STEEL 3.0"      |  |
| F  | A0001353087 | 1 | DOUBLE WALL TANK, 760 GAL      | Incl. items A, B, C,D,<br>E, G, H, J, K, L, M, N |
| G  | A0003763271 | 2 | TUBE, DIP-FUEL 0.50"           |  |
| H  | A0003772569 | 1 | ASSY-SENDER-FUEL LEVEL         | Incl. A0003432361                                |
| -- | A0003432361 | 1 | SENDER-FUEL LEVEL              | Sender only                                      |
| J  | A0003763272 | 1 | VENT, TANK 2.0"                |  |
| K  | A0003763279 | 1 | E-VENT, SECONDARY 5.00"        |  |
| L  | A0003763279 | 1 | E-VENT, PRIMARY 5.00"          |  |
| M  | A0003763276 | 1 | TUBE, 3.50"                    |  |
| N  | A0003763374 | 1 | SWITCH-RUPTURE BASIN-TOP MOUNT |  |

# TANK TO TRAILER OR SKID ASSEMBLY



03866

## TANK TO TRAILER OR SKID ASSEMBLY

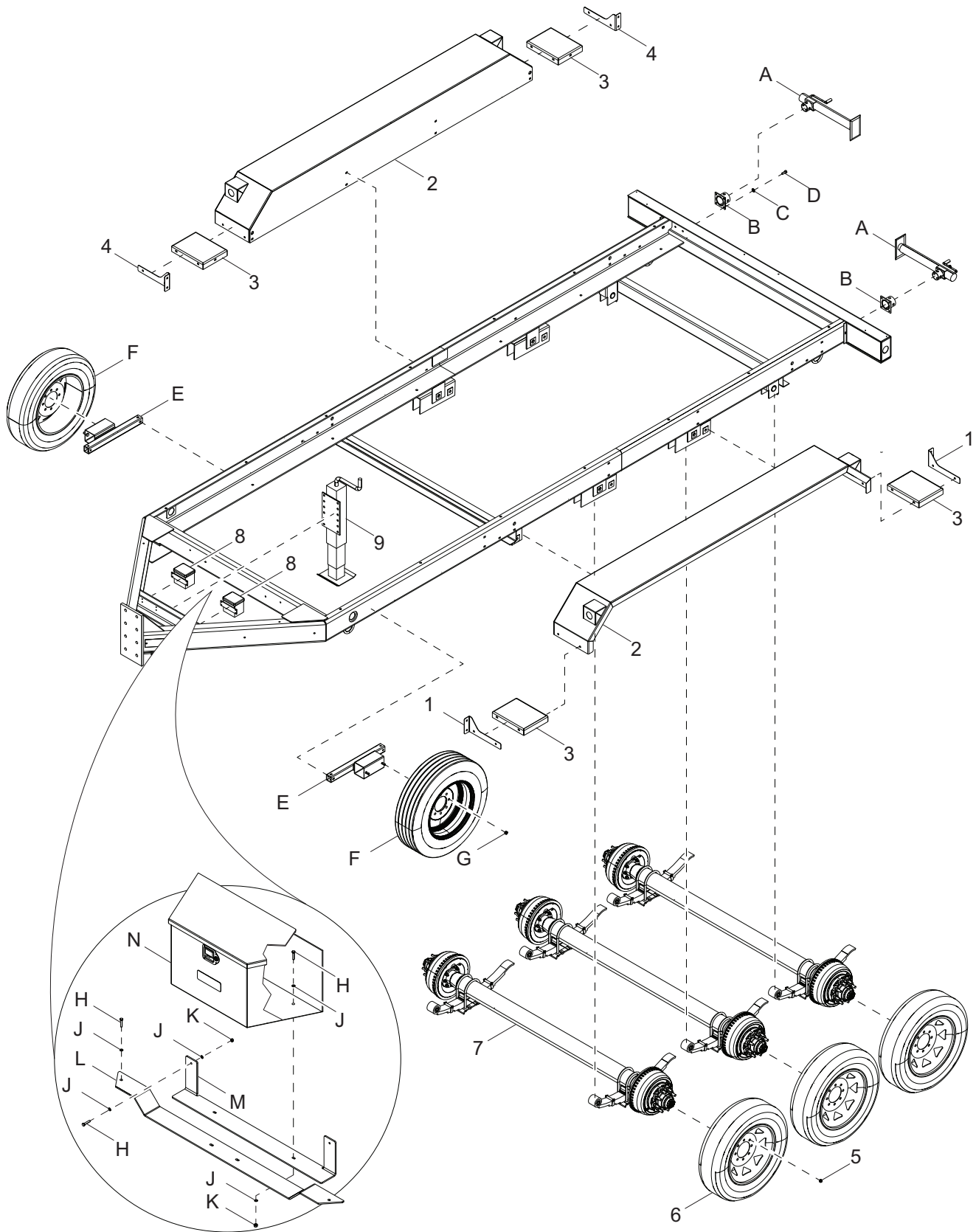
| Item | Part No.    | Qty | Description                          | Notes            |
|------|-------------|-----|--------------------------------------|------------------|
| 1    | G053607     | 14  | SCREW HHC M12-1.75 X 35 C8.8         |                  |
| 2    | G051769     | 14  | WASHER LOCK M12                      |                  |
| 3    | G049808     | 28  | WASHER FLAT M12                      | Qty 14 w/trailer |
| 4    | 0D7119      | 14  | NUT HEX LOCK M12-1.75 NY INS         |                  |
| 5    | A0001273305 | 1   | SERIES 3 TRAILER - ELECTRONIC BRAKES |                  |

### OPTIONAL FEATURES

#### SKID ASSEMBLY (if equipped):

|   |             |   |                                  |
|---|-------------|---|----------------------------------|
| A | A0001492873 | 1 | ST03 WELDED MOBILE SKID SERIES 3 |
|---|-------------|---|----------------------------------|

# TRAILER ASSEMBLY



03746

## TRAILER ASSEMBLY

| Item | Part No.    | Qty | Description                          | Notes |
|------|-------------|-----|--------------------------------------|-------|
| 1    | A0002790129 | 2   | SUPPORT-STEP-TRAILER-RS              |       |
| 2    | A0002790126 | 2   | FENDER-INTERCHANGEABLE               |       |
| 3    | A0002790128 | 4   | STEP-FENDER-INTERCHANGEABLE          |       |
| 4    | A0002790130 | 2   | SUPPORT-STEP-TRAILER-CS              |       |
| 5    | A0002790145 | 48  | LUG-NUT-FLANGED-5/8-18               |       |
| 6    | A0002790138 | 6   | WHEEL-4805 LB-SRM-BLACK              |       |
| 7    | A0002790123 | 3   | AXLE-SLIPPER SPRING-TRAILER10,000 LB |       |
| 8    | A0002790124 | 2   | KIT-BREAK AWAY                       |       |
| 9    | A0002790140 | 1   | JACK-TONGUE-BOLT ON                  |       |
| --   | A0002790144 | 1   | HARNESS-MAIN-LIGHTING                |       |

### OPTIONAL FEATURES

#### STABILIZER KIT (if equipped):

|   |        |   |   |
|---|--------|---|---|
| A | 41133  | 2 | JACK, SIDE WIND - 2000 LB TUBE MOUNT    |
| B | 11965B | 2 | WELDMENT, JACK ADAPTER - BLACK          |
| C | 60151  | 8 | WASHER, .375 FLAT .810/.060 ZY HARDENED |
| D | 60205  | 8 | SCREW, .375-16X1.000 STD HEX G5 ZC      |

#### SPARE TIRE KIT (if equipped):

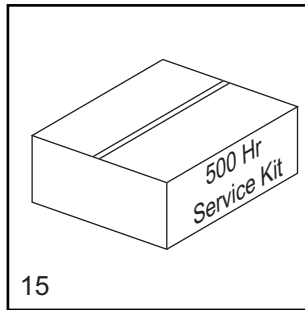
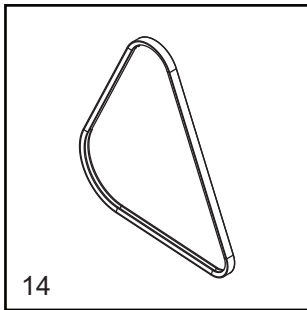
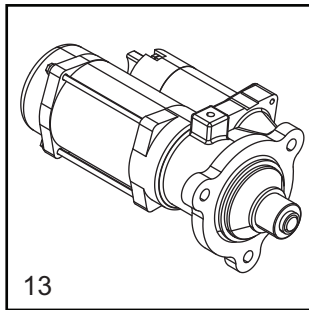
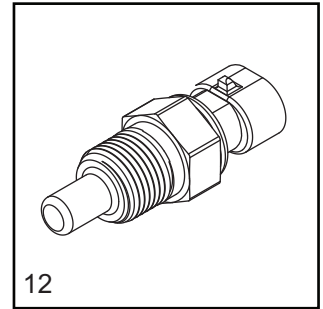
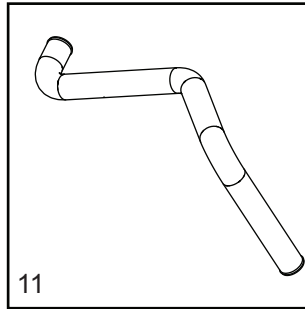
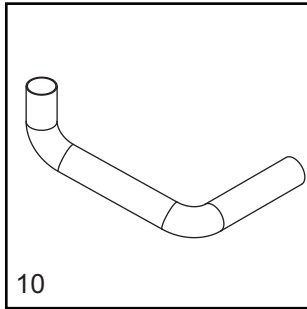
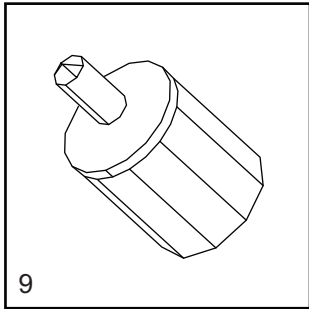
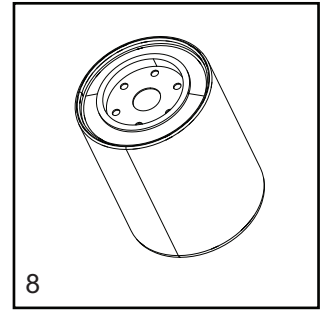
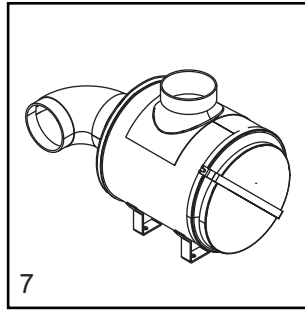
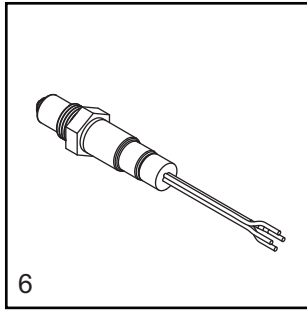
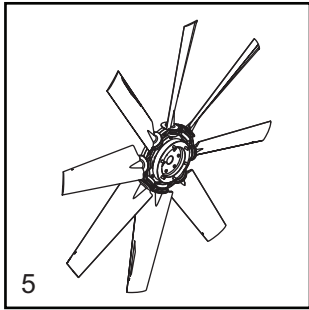
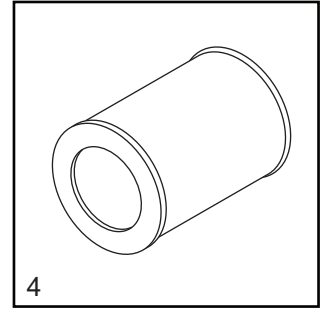
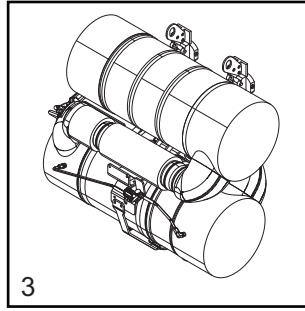
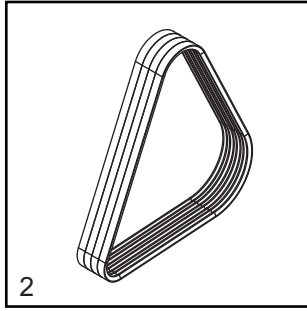
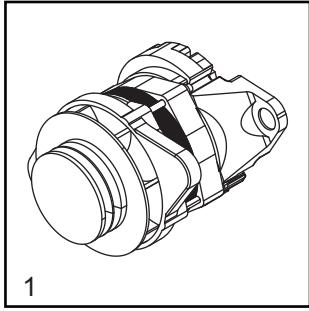
|    |             |    |   |
|----|-------------|----|---|
| E  | A0001768162 | 2  | ST03 WLDMNT SP TIRE MNT                 |
| F  | A0001625396 | 2  | WHEEL ST215/75R17.5 4805 LB M 81MPH BLK |
| G  | 61056       | 12 | NUT, .625-18 LUG 90° G5 ZC WHEEL        |
| -- | G061652     | 4  | SCREW HHC M10-1.5 X 85 C8.8             |
| -- | G074008     | 4  | WASHER LOCK M10                         |
| -- | G070264     | 8  | WASHER FLAT M10                         |
| -- | G045772     | 4  | NUT HEX M10-1.5 G8                      |

#### TOOL BOX (if equipped)

|   |             |    |   |
|---|-------------|----|---|
| H | G057821     | 10 | SCREW HHC M8-1.25 X 40 C8.8             |
| J | G070264     | 20 | WASHER FLAT M10                         |
| K | G045771     | 10 | NUT HEX M8-1.25 G8 CLEAR ZINC           |
| L | A0001404251 | 1  | ST03 BRKT REAR STORAGE BOX MNT SERIES 3 |
| M | A0001404252 | 1  | ST03 BRKT FRNT STORAGE BOX MNT SERIES 3 |
| N | 10000025915 | 1  | TOOLBOX (ALUM)                          |

**Note:** Trailer parts used in all Generac Mobile Products, LLC equipment carry the Original Equipment Manufacturer (OEM) warranty unless otherwise stated. OEM warranty parts must be purchased through an OEM dealer. Please contact Generac Mobile Products, LLC with questions.

# RECOMMENDED SPARE PARTS - ENGINE AND SERVICE KITS



## RECOMMENDED SPARE PARTS - ENGINE AND SERVICE KITS

---

### ENGINE

|                                       |             |
|---------------------------------------|-------------|
| 1. ALTERNATOR, ENGINE .....           | A0002062184 |
| 2. V-BELT.....                        | A0001784483 |
| 3. CATALYST.....                      | REF (1)     |
| 4. ELEMENT, AIR FILTER .....          | A0001784482 |
| 5. ENGINE FAN.....                    | A0002062180 |
| 6. SENSOR - NOX G22.....              | REF (1)     |
| SENSOR - NOX OUT G22 .....            | REF (1)     |
| 7. FILTER ASSEMBLY, AIR, REF (2)..... | REF (1)     |
| 8. FILTER, OIL.....                   | A0000221859 |
| 9. FILTER, FUEL - G22 .....           | A0001784480 |
| 10. HOSE, RADIATOR - LOWER.....       | REF (1)     |
| 11. HOSE, RADIATOR - UPPER.....       | REF (1)     |
| 12. SENSOR, LOW COOLANT.....          | A0002197826 |
| 13. STARTER .....                     | A0002060777 |
| 14. BELT-ALTERNATOR MOUNTING.....     | A0005090074 |

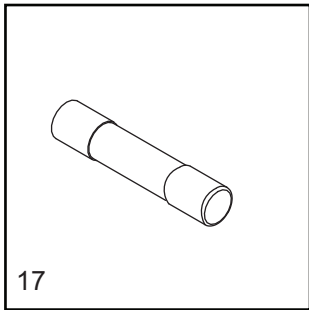
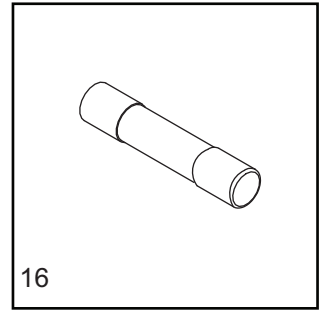
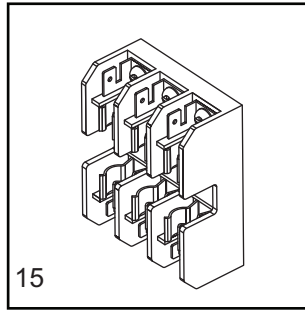
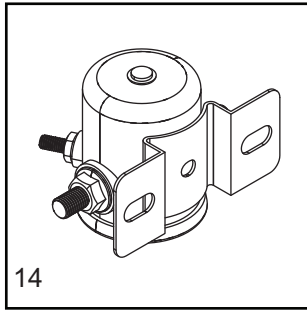
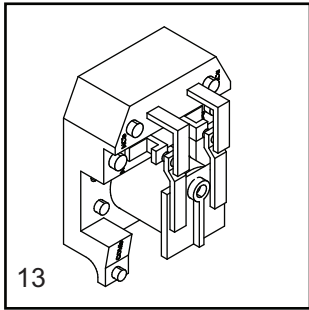
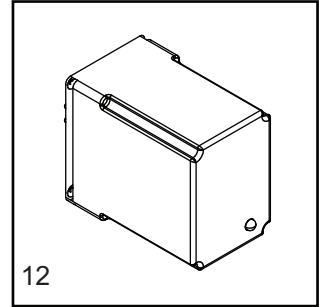
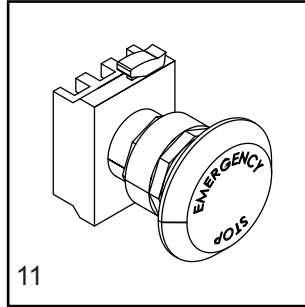
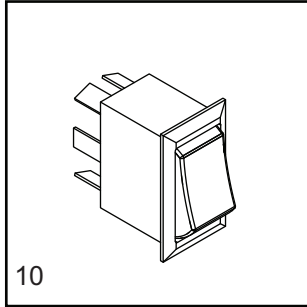
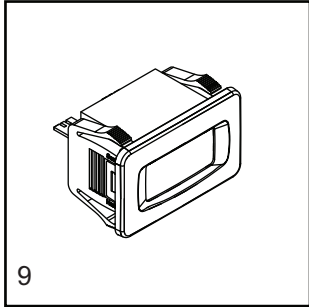
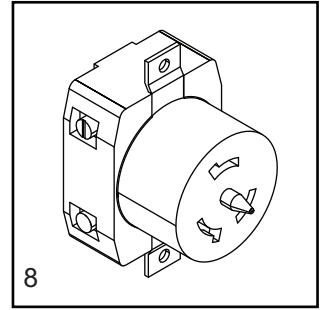
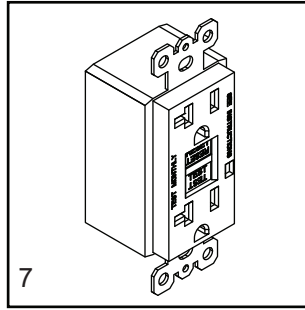
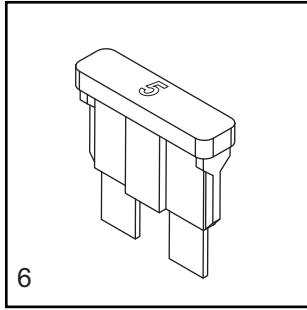
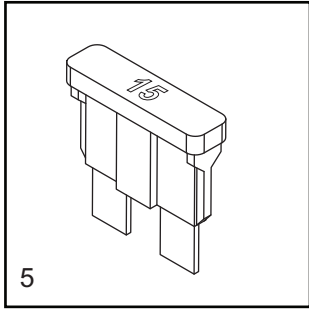
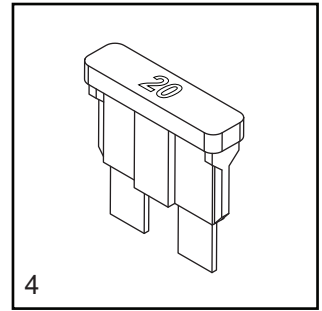
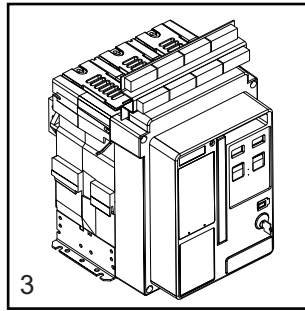
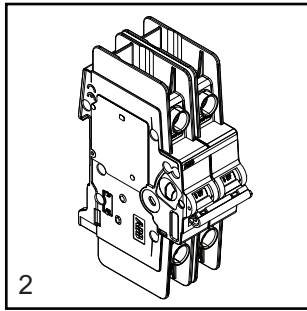
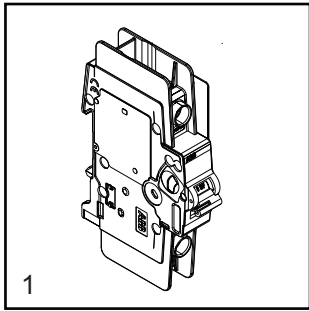
### SERVICE KITS

|   |             |
|---|-------------|
| 14. 500 HOUR KIT.....   | A0002739810 |
| (2) FILTER-OIL-G22 - A0000221859, (1) FILTER-PRE FUEL-G22 - A0001784472,  |             |
| (2) FILTER-FUEL-G22 - A0001784480, (1) FILTER-AIR-MAIN-G22 - A0001784482, |             |
| (3) V-BELT-G22 - A0001784483, (1) BELT-ALTERNATOR - A0005090074           |             |

(1) See Generac Engine Manual p/n A0002459871

(2) Includes housing, element and side cover

# RECOMMENDED SPARE PARTS - ELECTRICAL AND TRAILER



03829



## RECOMMENDED SPARE PARTS - ELECTRICAL AND TRAILER

---

### ELECTRICAL

|   |             |
|---|-------------|
| 1. BREAKER 20A SINGLE POLE .....                | A0002863000 |
| 2. BREAKER 50A 2 POLE.....                      | A0002863007 |
| 3. 1600A NON-MOTORIZED BREAKER.....             | A0005692133 |
| 1600A MOTORIZED BREAKER.....                    | A0004897130 |
| 4. FUSE ATO TYPE 20 AMP (YELLOW).....           | 0E7403D     |
| 5. FUSE ATO TYPE 15 AMP (BLUE).....             | 0E7403C     |
| 6. FUSE ATO TYPE 5 AMP (TAN).....               | 0E7403A     |
| 7. RECEPTACLE, 125V/20A GFI .....               | 0F6207      |
| 8. RECEPTACLE, 240V/50A TWIST LOCK .....        | 18089       |
| 9. METER, HOUR .....                            | 36886       |
| 10. SWITCH, ROCKER, DPDT, ON/ON .....           | 68530       |
| 11. SWITCH, E-STOP ASSEMBLY.....                | 65470       |
| 12. RELAY, VOLTAGE SENSING (132IN 126OUT) ..... | 66340       |
| 13. RELAY, 30A DPDT 120VAC POWER.....           | 65461       |
| 14. RELAY CONTACTOR 24VDC .....                 | G082982     |
| 15. FUSEBLOCK 30A 600V 3POS W/SQ .....          | 0D2572      |
| 16. FUSE, 10 AMP.....                           | FU0066A04   |
| 17. FUSE, 5 AMP.....                            | FU0066A00   |

**Note:** To order replacement controller, contact Generac Mobile Products with unit serial number.

Part No. A0001531269 Rev. H 04/23/2024

©2024 Generac Power Systems, Inc.  
All rights reserved.  
Specifications are subject to change without notice.  
No reproduction allowed in any form without prior written consent  
from Generac Power Systems, Inc.

**GENERAC** | **MOBILE**

Generac Power Systems, Inc.  
S45 W29290 Hwy. 59, Waukesha WI 53189  
[GeneracMobileProducts.com](https://www.GeneracMobileProducts.com) | 844-ASK-GNRC | 844-275-4672